

Pfaff
Mauser Spezial 9732

PFAFF[®]

**MAUSER
SPEZIAL[®] 9732**

Bestandteileliste

List of spare parts

Liste de pièces détachées

Lista de piezas de repuesto

Achtung!

Ersatzteile bitte nur mit den im Index aufgeführten **PFAFF-NUMMERN** Bestellen (siehe Seiten 104 bis 109).

Important!

Veillez commander les pièces de rechange uniquement avec leur référence complète précisée à l'index (pages 104 à 109).

Important note:

For spare part orders please only use the **PFAFF-NUMBERS** listed in the index (pages 104 to 109).

Atencion!

Sírvanse hacer sus pedidos sólo con los **NUMEROS-PFAFF** indicados en el índice (véanse las páginas 104 à 109).

TABLE OF CONTENTS

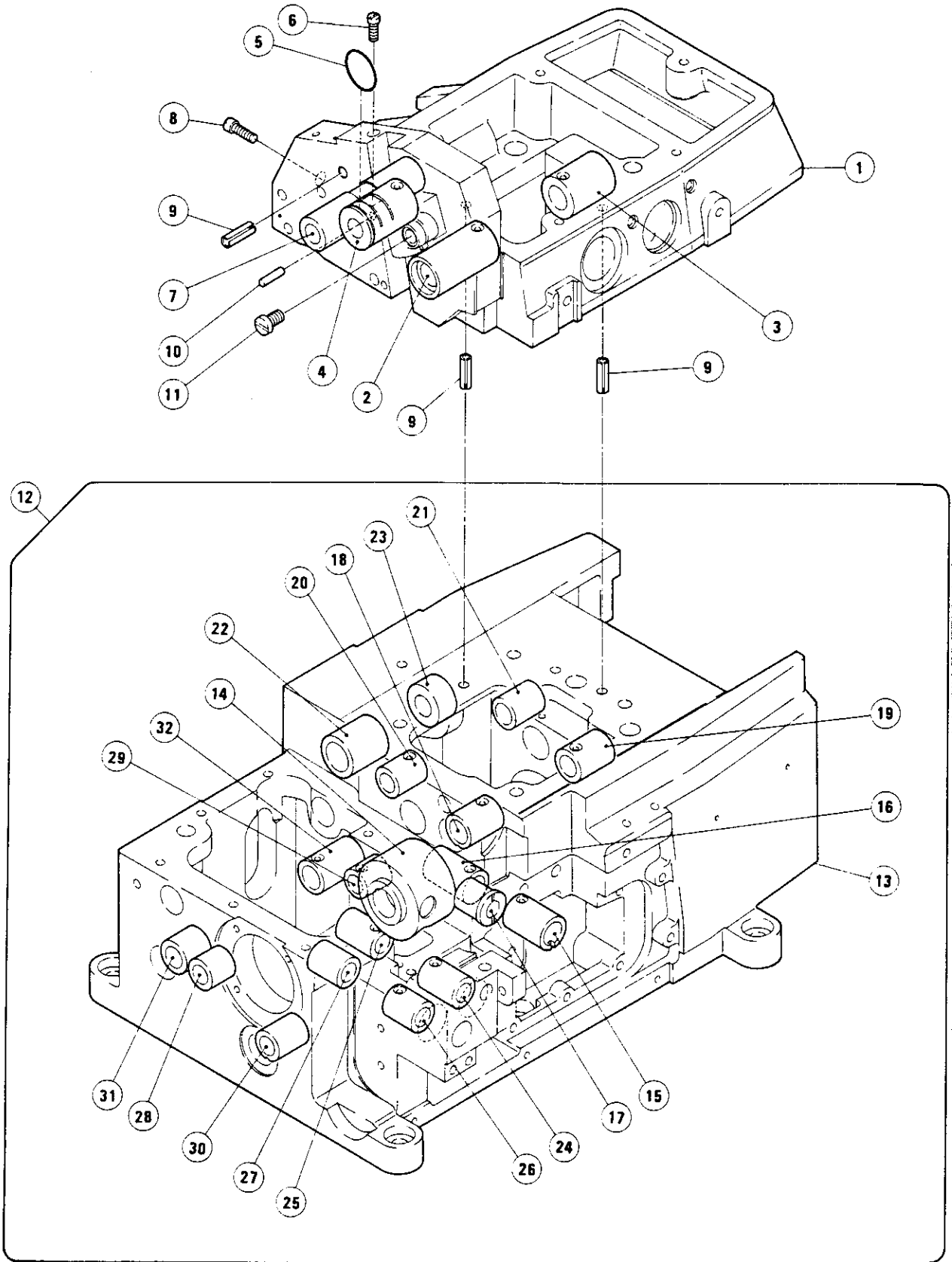
	Page
MACHINE BED FRAME(1)~(2)	2~5
COVERS(1)~(2)	6~9
CRANKSHAFT DRIVE MECHANISM(1)~(2)	10~13
NEEDLE DRIVE MECHANISM(1)~(2)	14~17
UPPER LOOPER DRIVE MECHANISM(1)~(2)	18~21

LOWER LOOPER DRIVE MECHANISM	22~23
CHAINSTITCH LOOPER DRIVE MECHANISM(1)~(2)	24~27
FEED MECHANISM(1)~(2)	28~31
TOP FEED MECHANISM(1)~(2)	32~35
KNIFE DRIVE MECHANISM	36~37
PRESSER FOOT MECHANISM	38~39

LUBRICATING MECHANISM	40~41
LUBRICATING MECHANISM(OLD TYPE)	42~43
H.R. DEVICE	44~45
SHIRRING ATTACHMENT	46~47
K L DEVICE	48~49

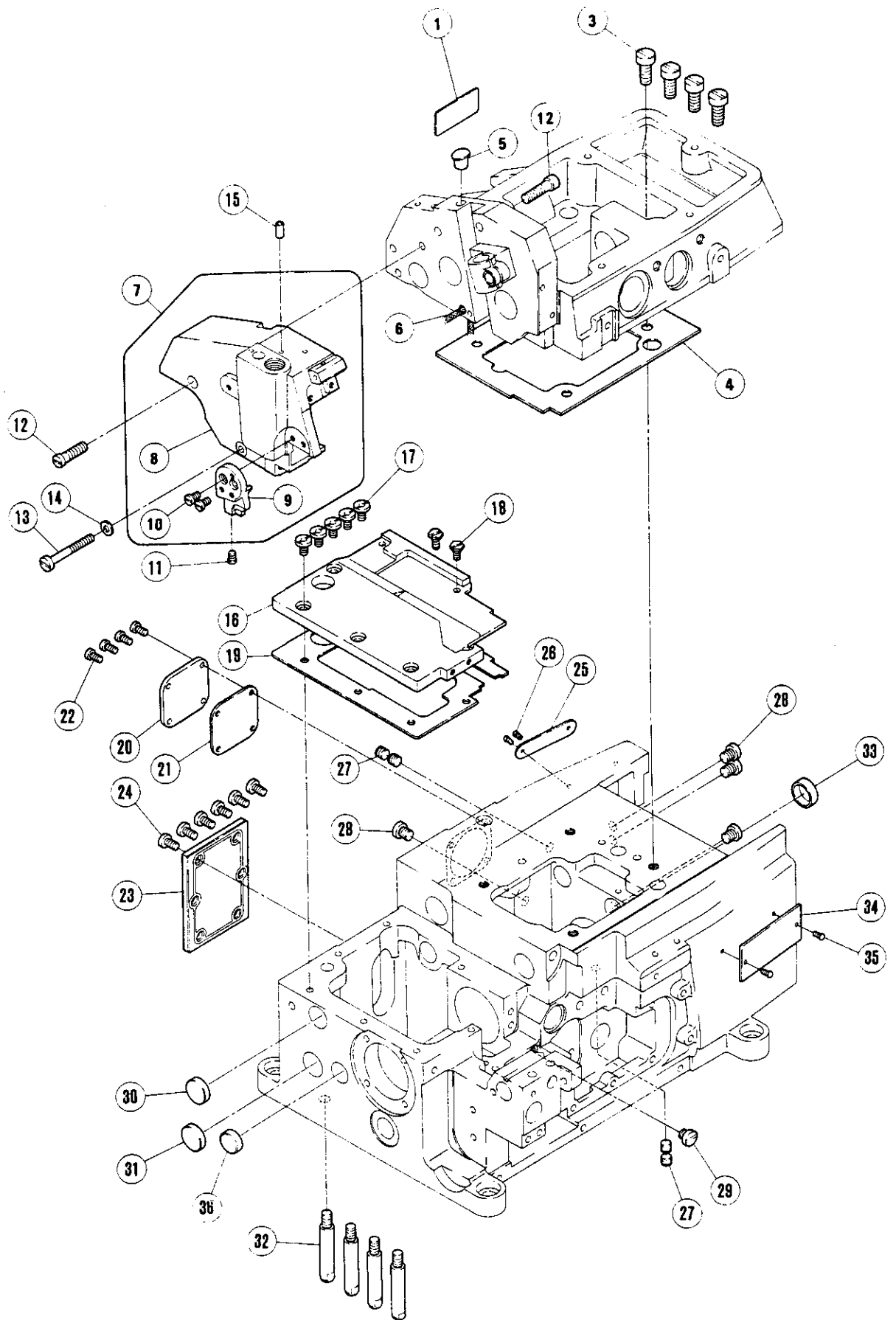
EDGE GUIDE PIPING ATTACHMENT	50~51
SEMI-SUBMERGED INSTALLATION	52~53
ACCESSORIES	54~55
THREAD STAND	56~57
GAUGE PARTS CONSTRUCTION CHART	58~91

GAUGE PARTS LIST(1)~(11)	92~102
PART NUMBER INDEX	104~109



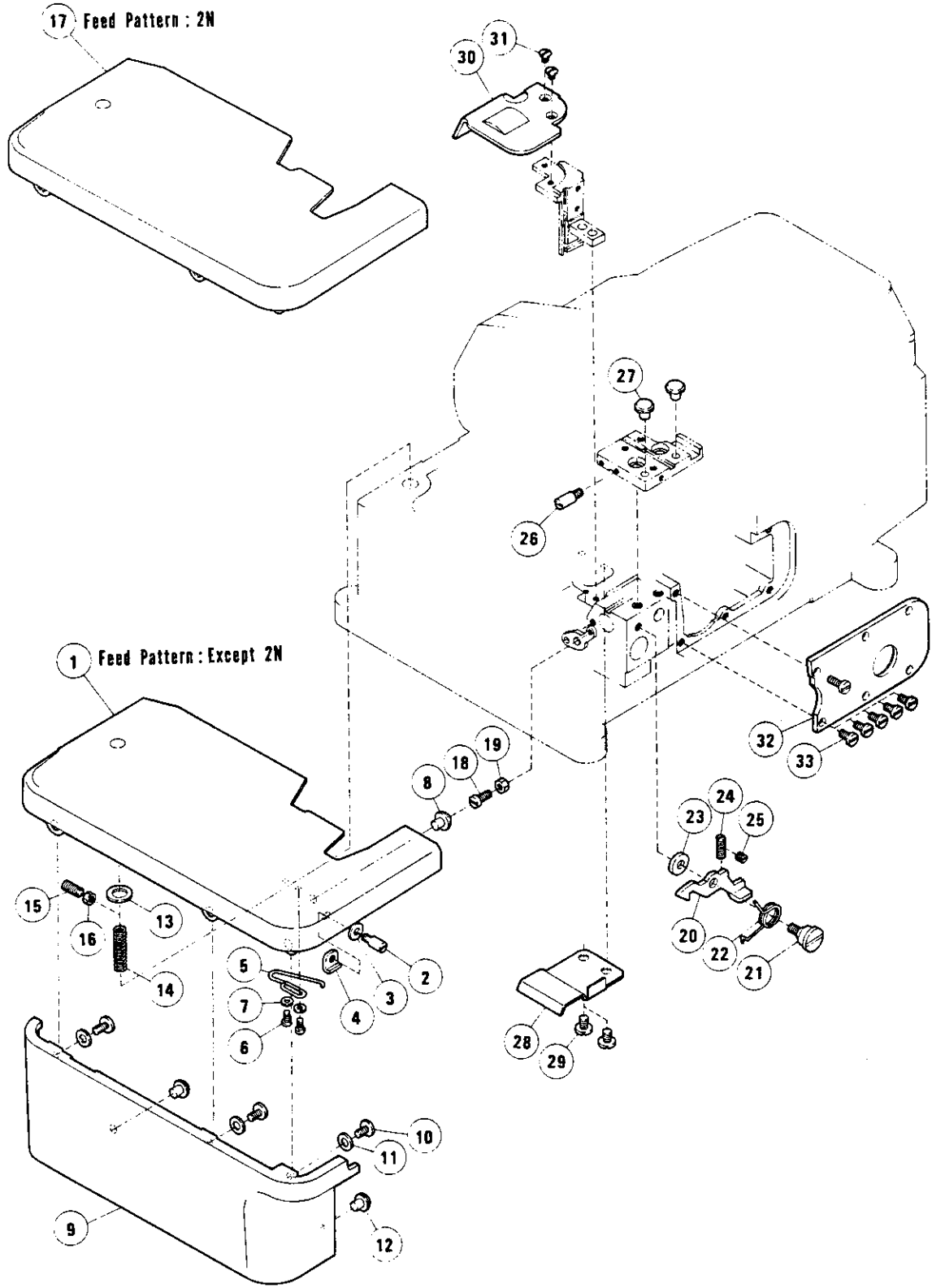
MACHINE BED FRAME(1)

REF. NO.	PART NO.	NAME	QT.	MEMO
1	212001-CD	MACHINE ARM (RIGHT)	1	
2	210234	BUSHING	1	
3	210233	BUSHING	1	
4	210242	BUSHING	1	
5	210057	O RING	1	
6	2133-1	SCREW	1	
7	212048	BUSHING	1	
8	2133-1	SCREW	1	
9	201002	PIN	3	
10	211385	PIN	1	
11	5357	SCREW	1	
*12	212000-CD	MACHINE BED COMPLETE	1	
*13	212329-CD	MACHINE BED	1	
14	211533	BUSHING	1	
15	210101	BUSHING	1	
16	210102	BUSHING	1	
17	210110	BUSHING	1	
18	210068	BUSHING	1	
19	210067	BUSHING	1	
20	212154	BUSHING	1	
21	210297	BUSHING	1	
22	212037	BUSHING	1	
23	212038	BUSHING	1	
24	210124	BUSHING	1	
25	210125	BUSHING	1	
26	210296	BUSHING	1	
27	210297	BUSHING	1	
28	210292	BUSHING	1	
29	252005	BUSHING	1	
30	210164	BUSHING	1	
31	210143	BUSHING	1	
32	210102	BUSHING	1	



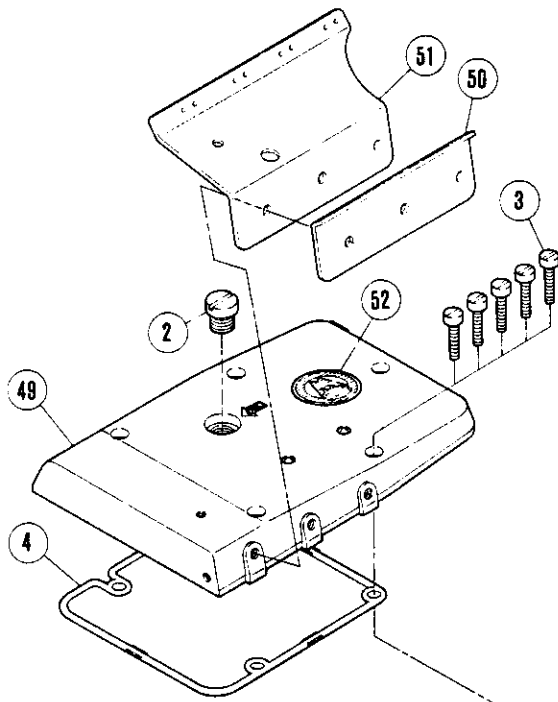
MACHINE BED FRAME(2)

REF. NO.	PART NO.	NAME	QT.	MEMO
1	205724	NAME PLATE	1	
3	5078	SCREW	4	
4	210002	GASKET	1	
5	240052	PLUG	1	
* 6	202175	OIL WICK	1	
* 7	212489ACD	MACHINE ARM (LEFT) ASSEMBLY	1	
8	212004ACD	MACHINE ARM (LEFT)	1	
9	211389-CD	ARM COVER (LEFT)	1	
10	5328	SCREW	2	
11	5146	SCREW	1	
12	5163	SCREW	2	
13	5595	SCREW	1	
14	200149	GASKET	1	
15	210528	OIL PIPE	1	
16	212007	BED PLATE	1	
17	4009-1	SCREW	5	
18	5482	SCREW	2	
19	212008	GASEKT	1	
20	212010-CD	COVER PLATE	1	
21	212011	GASKET	1	
22	5142	SCREW	4	
23	210005	COVER PLATE	1	
24	5117	SCREW	6	
*25	230047	SERIAL NUMBER PLATE	1	
26	210679	PIN	2	
27	2913-1	SCREW	4	
28	5332A	SCREW	4	
29	5434A	SCREW	1	
30	208173	PLUG	1	
31	210003	PLUG	1	
32	204006	BED PIN	4	
33	210003	PLUG	1	
*34	212281A	TYPE PLATE	1	
35	210679	PIN	2	
36	205088	PLUG	1	

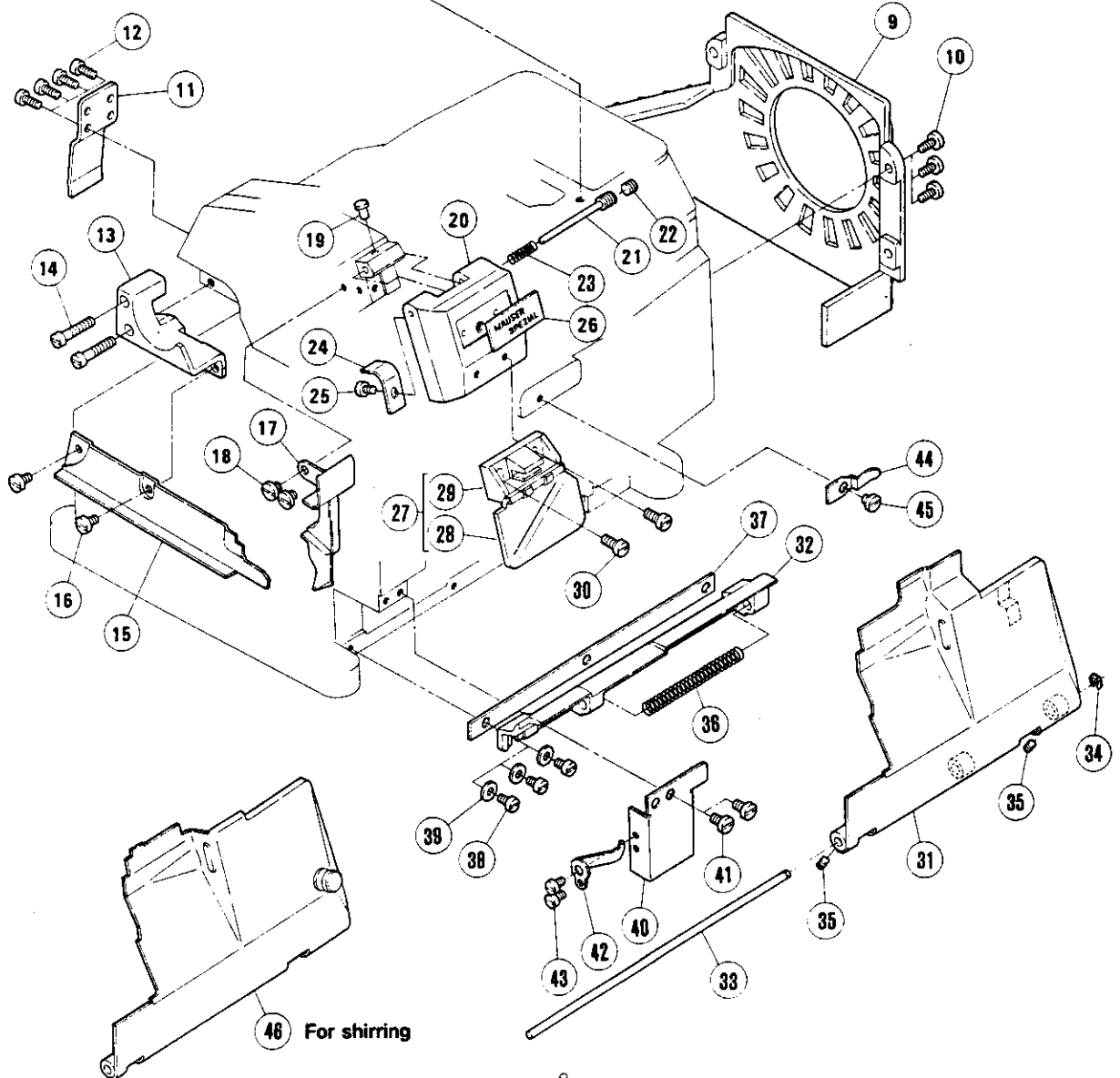
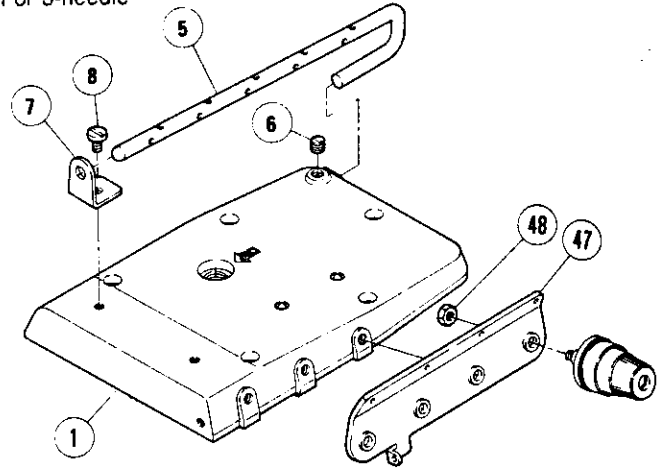


COVERS(1)

REF. NO.	PART NO.	NAME	QT.	MEMO
1	210883	CLOTH PLATE(WIDE)	1	
2	210022	SCREW	1	
3	137906	WASHER	1	
4	211300	NUT	1	
5	210024	SPRING	1	
6	5012	SCREW	2	
7	202875	WASHER	2	
8	210025	CUSHION	1	
9	210027-CB	SIDE COVER (WIDE)	1	
10	4009-1	SCREW	3	
11	201185	WASHER	3	
12	210025	CUSHION	2	
13	210020	WASHER	1	
14	192130	SPRING	1	
15	5483	SCREW	1	
16	3044	NUT	1	
17	210885	CLOTH PLATE	1	
18	1174	SCREW	1	
19	3091	NUT	1	
20	210021	LATCH	1	
21	5488	SCREW	1	
22	210023	SPRING	1	
23	208245	WASHER	1	
24	1435	SCREW	1	
25	1459	SCREW	1	
26	210022	SCREW	1	
27	210025	CUSHION	2	
28	210007	FEED BAR COVER	1	
29	2905	SCREW	2	
30	210006	COVER/FEED ECCENTRIC	1	
31	5480	SCREW	2	
32	210117	UPPER LOOPER HOLDER COVER	1	
33	4009-1	SCREW	5	

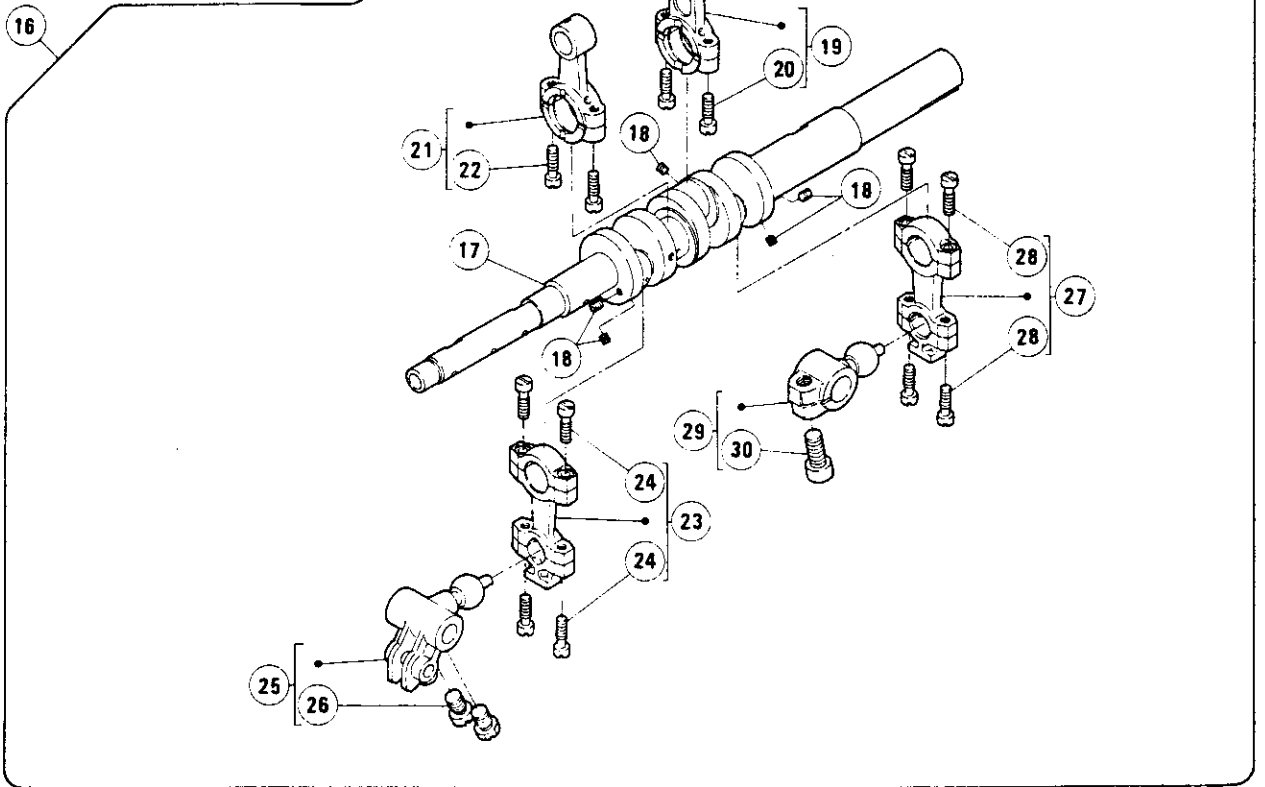
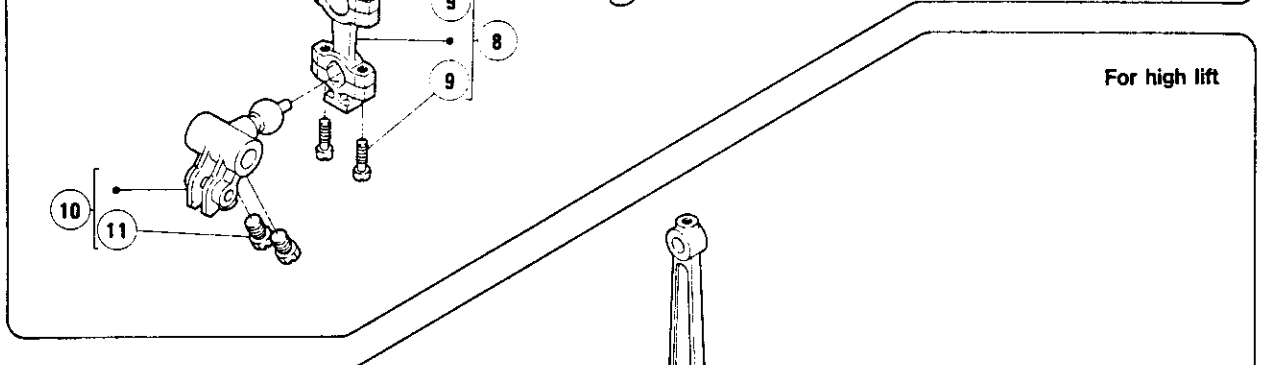
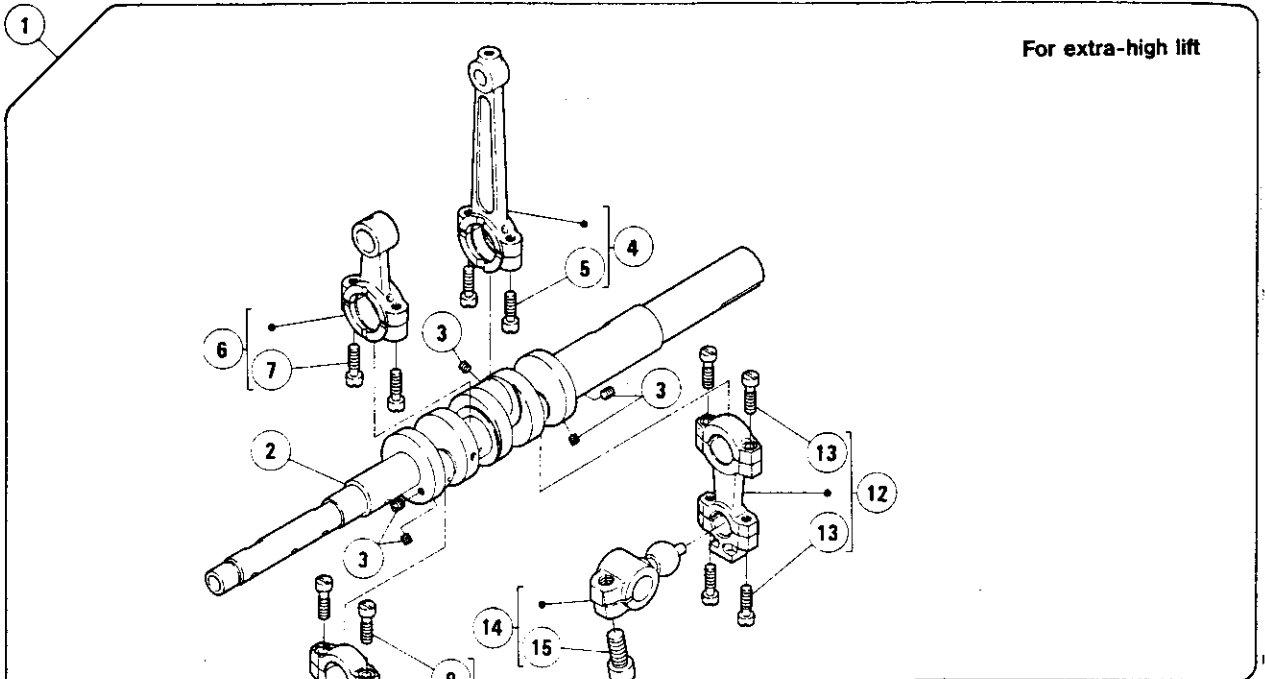


For 3-needle



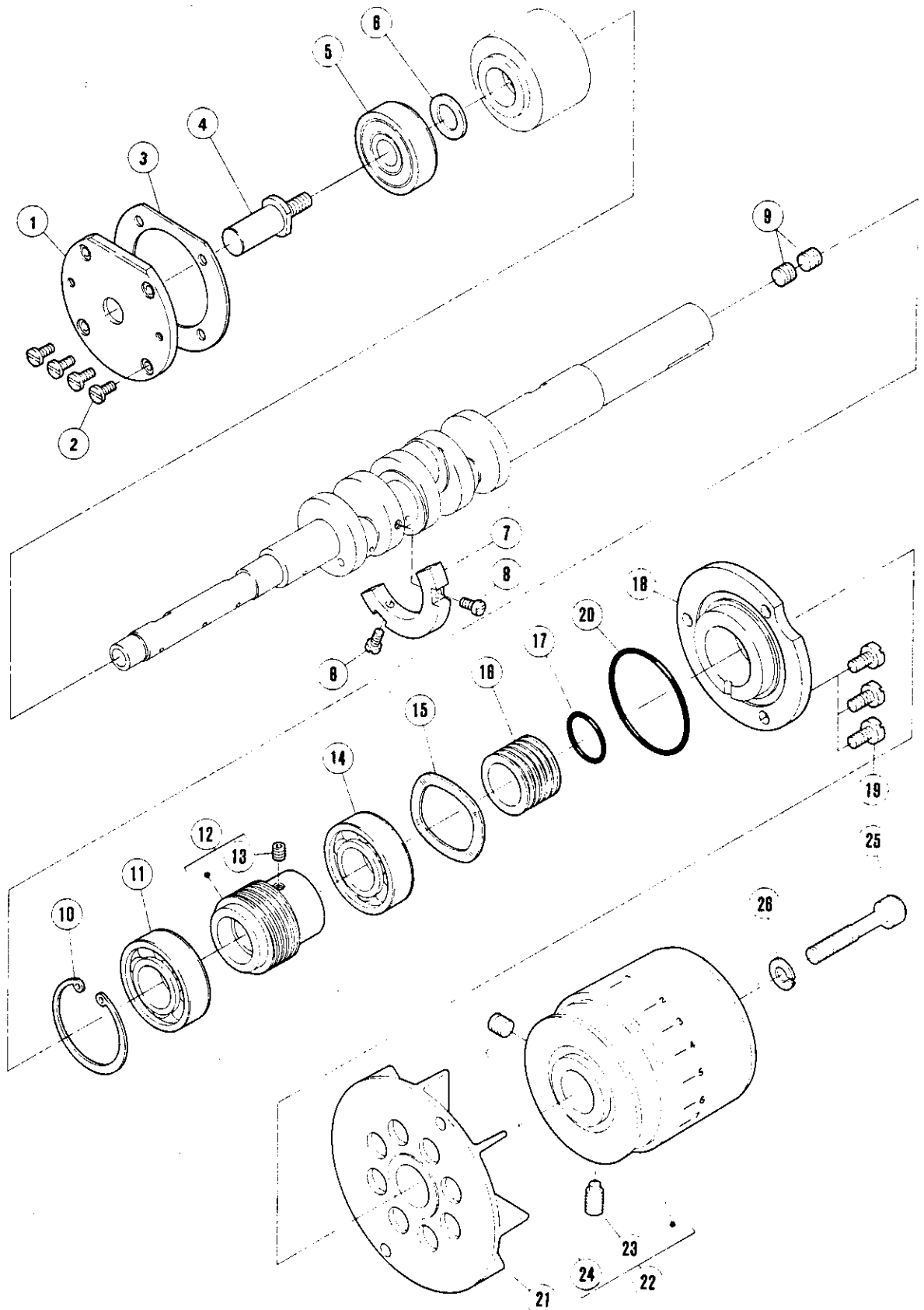
COVERS(2)

REF. NO.	PART NO.	NAME	QT.	MEMO
1	210034-CD	TOP COVER	1	
2	5198	SCREW	1	
3	5095	SCREW	5	
4	210035	O RING	1	
5	210036	THREAD GUIDE BAR	1	
6	5060	SCREW	1	
7	210037	BRACKET	1	
8	4009-1	SCREW	1	
9	210028-CB	BELT COVER	1	
10	5117	SCREW	3	
11	212009	REAR COVER	1	
12	5142	SCREW	4	
13	212006	BRACKET	1	
14	5163	SCREW	2	
15	212005	FABRIC GUARD	1	
16	2905	SCREW	2	
17	212609-91	COVER/MACHINE ARM LEFT	1	
18	2905	SCREW	2	
19	198192	CUSHION RUBBER	1	
20	211959-BD	NEEDLE THREAD COVER	1	
21	5589	SCREW	1	
22	5060	SCREW	1	
23	211958	SPRING	1	
24	210223	FLAT SPRING	1	
25	1216	SCREW	1	
26	205724	NAME PLATE	1	
27	208747	EYE GUARD COMPLETE	1	
28	205685	EYE GUARD	1	
29	208744	EYE GUARD BRACKET COMPLETE	1	
30	1175-3	SCREW	2	
31	210270	FRONT COVER ASSEMBLY	1	
32	210042	HINGE/FRONT COVER	1	
33	208009	PIN	1	
34	200555	RING	1	
35	5292	SCREW	2	
36	210043	SPRING	1	
37	210047	GASKET	1	
38	1202	SCREW	3	
39	137906	WASHER	3	
40	210046	GUIDE/FRONT COVER	1	
41	4009-1	SCREW	2	
42	210045	FLAT SPRING	1	
43	1216	SCREW	2	
*44	210044	FLAT SPRING	1	
45	2905	SCREW	1	
46	211700	FRONT COVER	1	
47	211580	TENSION NUT SET PLATE	1	
48	3044	NUT	1	
49	211799-CD	TOP COVER	1	
50	211800	TENSION GUIDE	1	
51	211801	THREAD TENSION COMPLETE	1	
*52	211313	NAME PLATE	1	



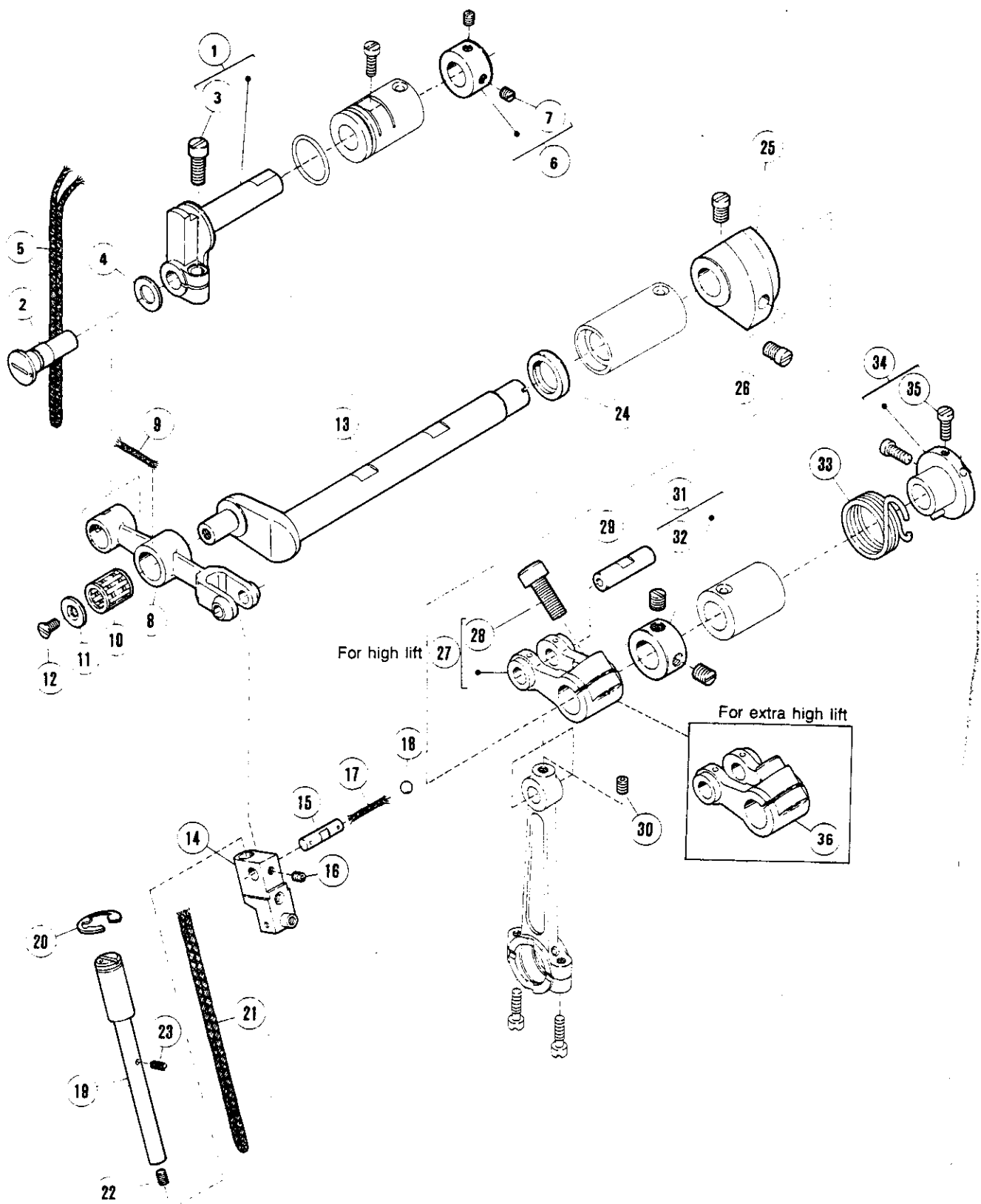
CRANKSHAFT DRIVE MECHANISM(1)

REF. NO.	PART NO.	NAME	QT.	MEMO
1	212670A	CRANKSHAFT ASSEMBLY	1	
2	210228-PD	CRANKSHAFT	1	
3	1459	SCREW	5	
4	210229	CONNECTION/NEEDLE DRIVE	1	
5	5376	SCREW	2	
6	210173	CONNECTION/UPPER KNIFE DRIVE	1	
7	5376	SCREW	2	
8	210091	CONNECTION	1	
9	5376	SCREW	4	
10	211653	CRANK/LOWER LOOPER	1	
11	2022-4	SCREW	2	
12	210091	CONNECTION	1	
13	5376	SCREW	4	
14	210731	CRANK/UPPER LOOPER	1	
15	5457	SCREW	1	
16	212657A	CRANKSHAFT ASSEMBLY	1	
17	210228-PC	CRANKSHAFT	1	
18	1459	SCREW	5	
19	210229	CONNECTION/NEEDLE DRIVE	1	
20	5376	SCREW	2	
21	210173	CONNECTION/UPPER KNIFE DRIVE	1	
22	5376	SCREW	2	
23	210091	CONNECTION	1	
24	5376	SCREW	4	
25	210736	CRANK/LOWER LOOPER DRIVE	1	
26	2022-4	SCREW	2	
27	210091	CONNECTION	1	
28	5376	SCREW	4	
29	210731	CRANK/UPPER LOOPER	1	
30	5457	SCREW	1	



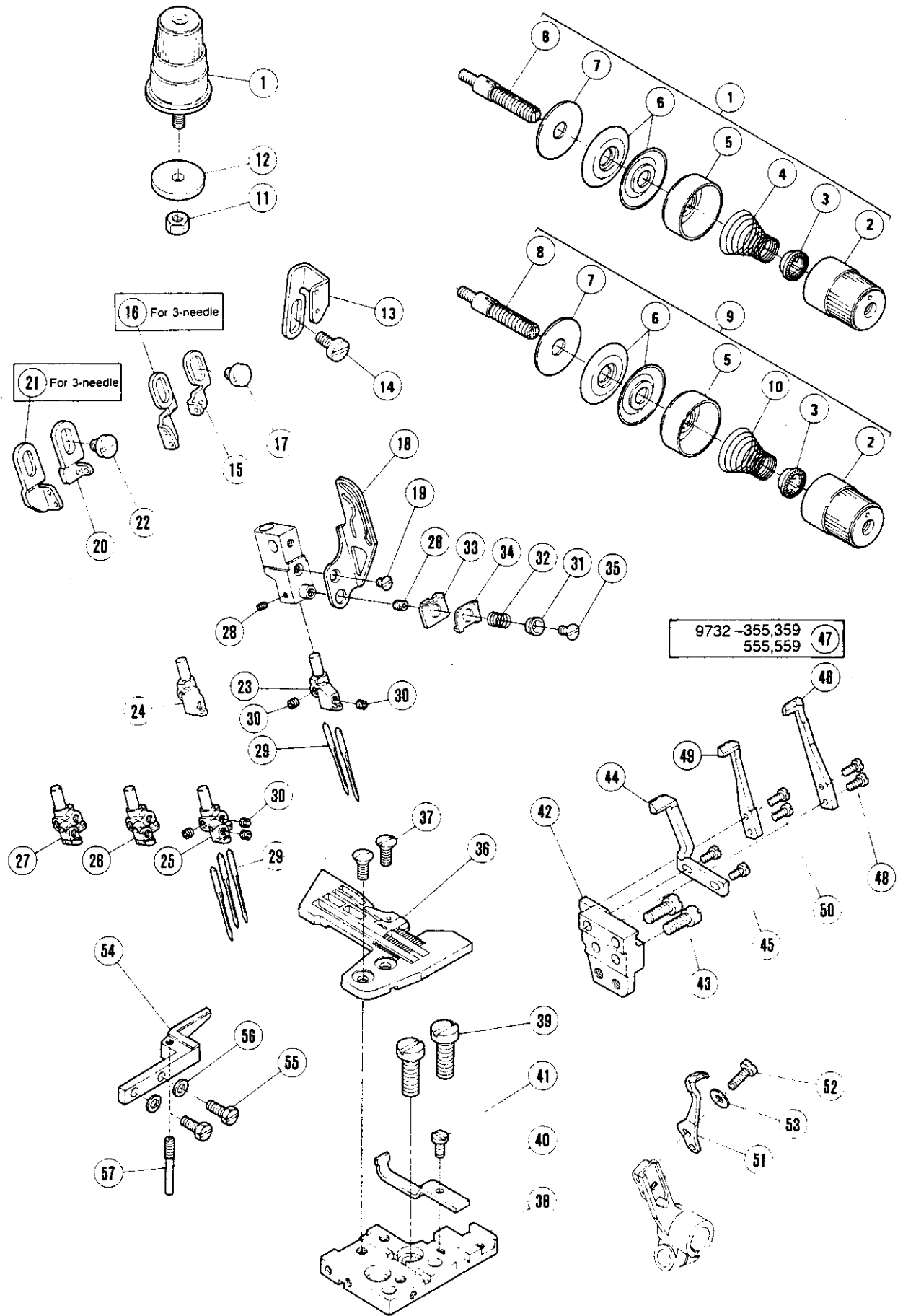
CRANKSHAFT DRIVE MECHANISM(2)

REF. NO.	PART NO.	NAME	QT.	MENO
1	204881	HOUSING	1	
2	5328	SCREW	4	
3	204319	GASKET	1	
4	204873	CRANK SHAFT EXTENSION	1	
5	204010	BUSHING	1	
6	240102	WASHER	1	
7	210062	BALANCE WEIGHT	1	
8	5029	SCREW	2	
9	1448	SCREW	2	
10	211527	RING	1	
11	212987	BALL BEARING	1	
12	211530	WORM	1	
13	5461	SCREW	1	
14	211526	BALL BEARING	1	
15	211529	WASHER	1	
16	210056	OIL SEAL	1	
17	210057	O RING	1	
*18	211528	BALL BEARING RETAINER	1	
19	5117	SCREW	3	
20	210055	O RING	1	
21	210058	COOLING FAN	1	
22	211345ABD	MACHINE PULLEY	1	
23	5523	SCREW	1	
24	5050	SCREW	1	
25	5522	SCREW	1	
26	204293	SPRING WASHER	1	



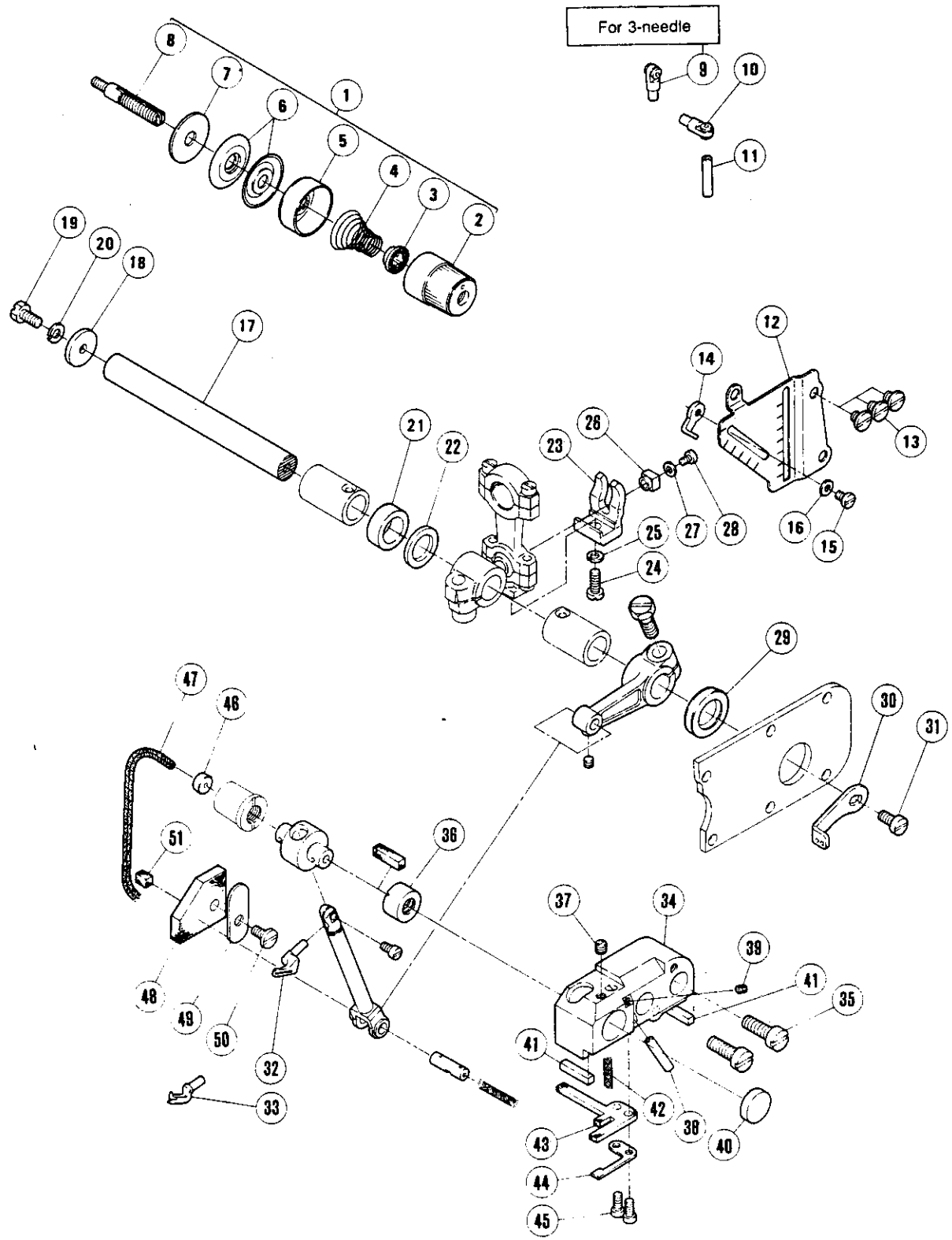
NEEDLE DRIVE MECHANISM(1)

REF. NO.	PART NO.	NAME	QT.	MEMO
1	210239	HOLDER	1	
2	210240	PIN	1	
3	5485	SCREW	1	
4	210241	WASHER	1	
* 5	212186	OIL WICK	1	
6	201056	COLLAR	1	
7	1457	SCREW	1	
8	210235	LEVER/NEEDLE DRIVE	1	
* 9	202175	OIL WICK	1	
10	210238-2	NEEDLE BEARING	1	
11	210236	WASHER	1	
12	5022	SCREW	1	
13	210232A	SHAFT/NEEDLE DRIVE	1	
14	212412A	NEEDLE HOLDER GUIDE	1	
15	210237A-2	PIN	1	
16	5292	SCREW	1	
* 17	202174	OIL WICK	1	
18	240148	PLUG	1	
19	212413	SHAFT	1	
20	202577	RING	1	
* 21	202175	OIL WICK	1	
22	5292	SCREW	1	
* 23	202174	OIL WICK	1	
24	210069	OIL SEAL	1	
25	210511	BALANCE WEIGHT	1	
26	5059	SCREW	1	
27	210231	CRANK/NEEDLE DRIVE	1	
28	5457	SCREW	1	
29	204146	PIN	1	
30	5461	SCREW	1	
31	201635	COLLAR	1	
32	5060	SCREW	2	
33	212785	SPRING	1	
34	212786-91	COLLAR	1	
35	1174	SCREW	1	
36	211649	CRANK/NEEDLE DRIVE	1	



NEEDLE DRIVE MECHANISM(2)

REF. NO.	PART NO.	NAME	QT.	MEMO
1	210529-BA	THREAD TENSION COMPLETE	2	
2	208447	POST NUT	2	
3	208448	SPRING BUSHING	2	
4	201037	SPRING (HEAVY)	2	
5	208450	CUP	2	
6	210319	TENSION DISC	4	
7	208449	FELT	2	
8	5082A	SCREW STUD	2	
9	210530-BA	THREAD TENSION COMPLETE	1	
10	201086	SPRING (MEDIUM)	1	
11	5137	NUT	1	
12	201880	WASHER	1	
13	210264	THREAD GUIDE	1	
14	5117	SCREW	1	
15	212725	THREAD GUIDE	1	
16	212723A	NEEDLE/THREAD GUIDE(RIGHT)	1	
17	5535	SCREW	1	
18	212721	THREAD TAKEUP	1	
19	5446	SCREW	1	
20	212724	THREAD GUIDE	1	
21	212722A	NEEDLE/THREAD GUIDE(LEFT)	1	
22	5535	SCREW	1	
23	210273	NEEDLE HOLDER	1	
24	210274	NEEDLE HOLDER	1	
25	211573	NEEDLE HOLDER	1	
26	211577	NEEDLE HOLDER	1	
27	212995	NEEDLE HOLDER	1	
28	5292	SCREW	2	
29	XXXXXX	NEEDLE	2	
30	5292	SCREW	2	
31	210750	GUIDE	1	
32	210751	SPRING	1	
33	212681	RETAINER BRACKET	1	
34	212504	TENSION DISC	1	
35	5022	SCREW	1	
36	XXXXXX	NEEDLE PLATE	1	
37	5484-HC	SCREW	2	
38	211392	BRACKET COMPLETE	1	
39	5357	SCREW	2	
40	210278	CHAINSTITCH NEEDLE GUARD FRONT	1	
41	5328	SCREW	1	
42	210277	BRACKET/NEEDLE GUARD	1	
43	5002	SCREW	2	
44	210279	CHAINSTITCH NEEDLE GUARD REAR	1	
45	5492	SCREW	2	
46	210275A	NEEDLE GUARD (FRONT)	1	
47	211578	NEEDLE GUARD(FRONT)	1	
48	5492	SCREW	2	
49	210276	NEEDLE GUARD (REAR)	1	
50	5492	SCREW	2	
51	210724	NEEDLE GUARD (REAR)	1	
52	5501	SCREW	1	
53	210930	SPRING WASHER	1	
54	210922	SUPPORT COMPLETE/NEEDLE PLATE	1	
55	5501	SCREW	2	
56	210898	WASHER	2	
57	210923	SCREW	1	

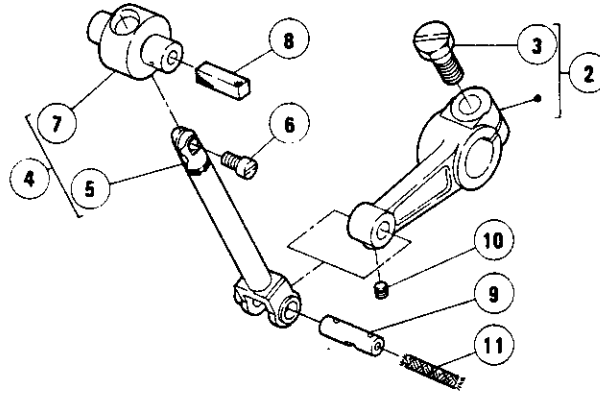


UPPER LOOPER DRIVE MECHANISM(1)

REF. NO.	PART NO.	NAME	QT.	MEMO
1	210531-BA	THREAD TENSION COMPLETE	1	
2	208447	POST NUT	1	
3	208448	SPRING BUSHING	1	
4	201068	SPRING (LIGHT)	1	
5	208450	CUP	1	
6	210319	TENSION DISC	2	
7	208449	FELT	1	
8	5082A	SCREW STUD	1	
9	201439A	THREAD EYELET	1	
10	201439A	THREAD EYELET	1	
11	204657	PIPE	1	
12	210349	LOOPER THREAD GUIDE PLATE	1	
13	2905	SCREW	3	
14	210350	THREAD GUIDE/UPPER LOOPER	1	
15	5519	SCREW	1	
16	202875	WASHER	1	
17	210099	SHAFT/UPPER LOOPER DRIVE	1	
18	210100	WASHER	1	
19	2193	SCREW	1	
20	202286	SPRING WASHER	1	
21	210267	SPACER	1	
22	206180	WASHER	1	
23	210092	GUIDE/CONNECTION	1	
24	5546	SCREW	1	
25	202286	SPRING WASHER	1	
26	210093	BLOCK	1	
27	210585	WASHER	1	
28	1231	SCREW	1	
29	210103	OIL SEAL	1	
30	212728	THREAD TAKEUP/UPPER LOOPER	1	
31	2902	SCREW	1	
32	XXXXXX	UPPER LOOPER	1	
33	XXXXXX	SPREADER	1	
34	211995	BASE/UPPER LOOPER HOLDER	1	
35	5282	SCREW	2	
36	210109	BUSHING	1	
37	5408	SCREW	1	
38	204657	PIPE	1	
39	5292	SCREW	1	
40	208173	PLUG	1	
41	210118	GASKET	2	
*42	202175	OIL WICK	1	
43	210114	OIL FELT	1	
44	210115	SET PLATE	1	
45	5012	SCREW	2	
46	208592	CAP	1	
*47	202174	OIL WICK	1	
48	210112A	OIL FELT	1	
49	210113	SET PLATE	1	
50	4009-1	SCREW	1	
51	210721	OIL FELT	1	

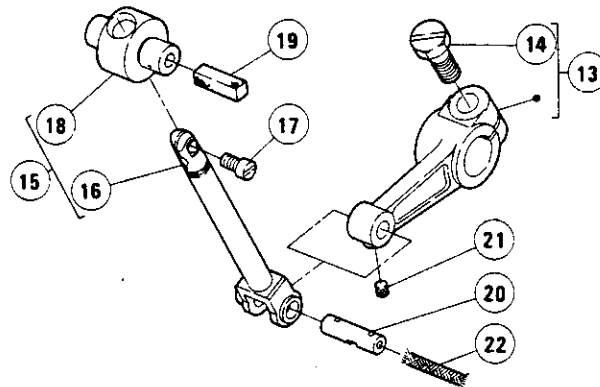
1

Extra-high lift



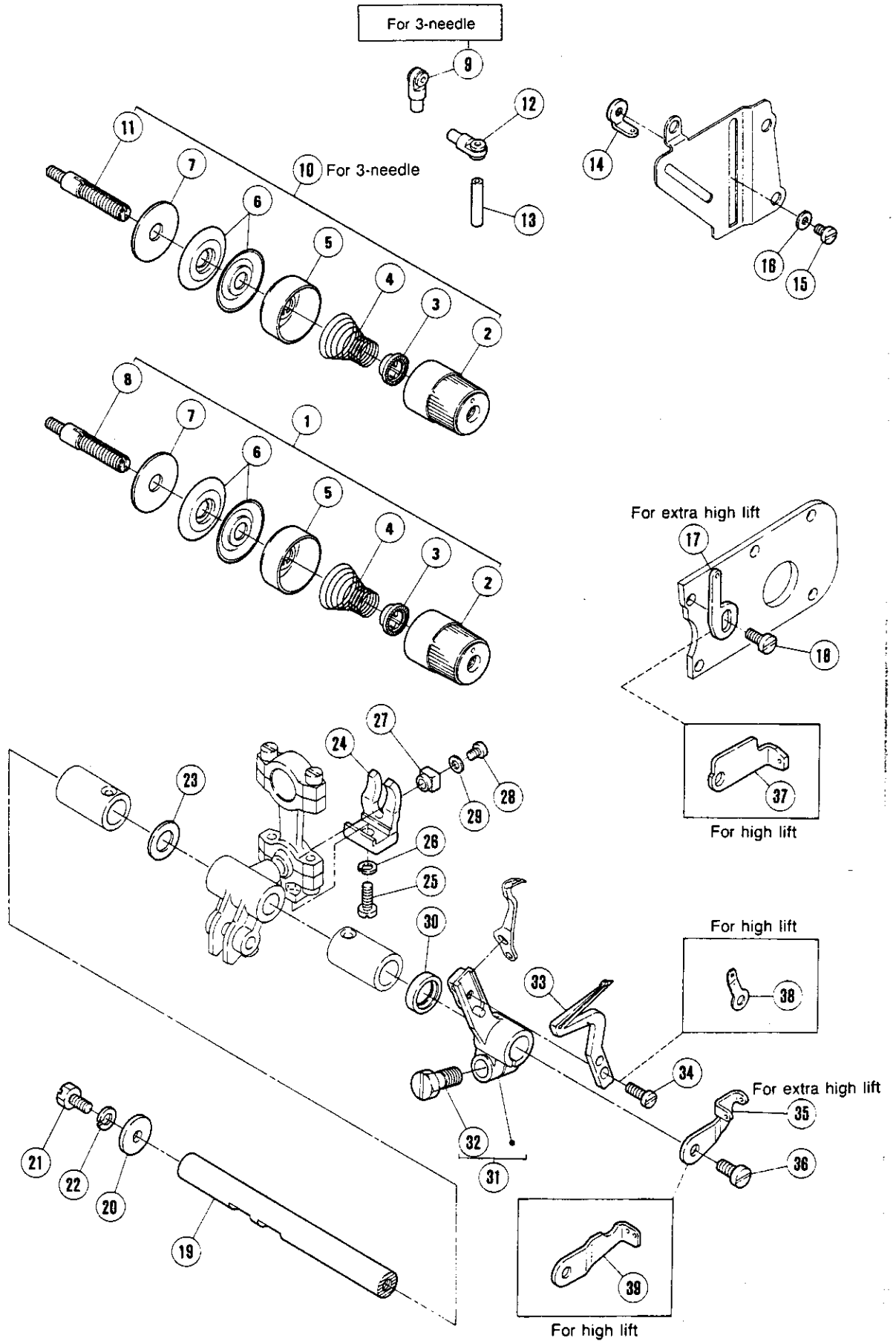
12

High lift



UPPER LOOPER DRIVE MECHANISM(2)

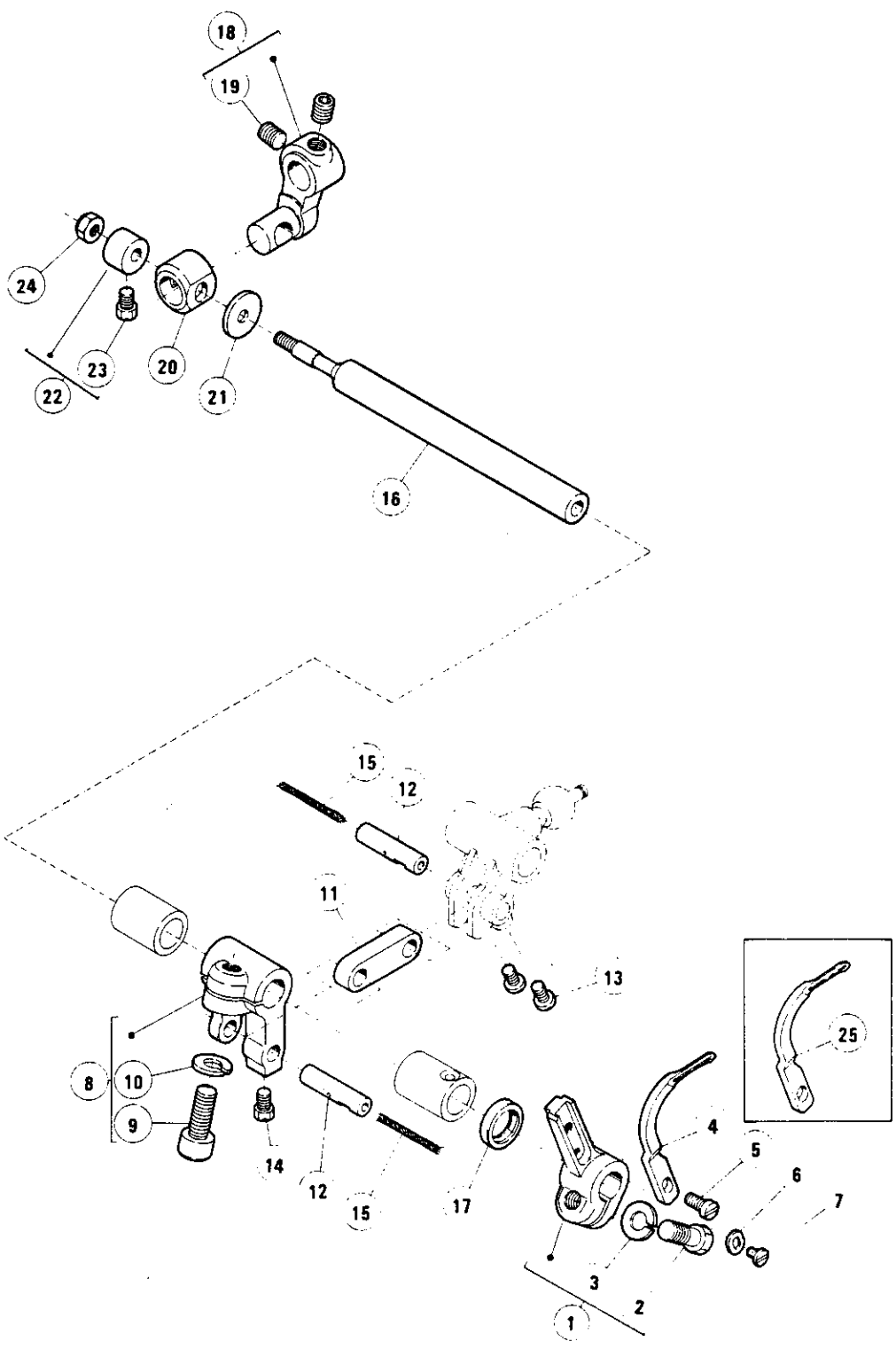
REF. NO.	PART NO.	NAME	QT.	MEMO
1	210929A91	UPPER LOOPER HOLDER ASSEMBLY	1	
2	211655	LEVER/UPPER LOOPER	1	
3	5284	SCREW	1	
4	211926-T	UPPER LOOPER HOLDER ASSEMBLY	1	
* 5	211654-T	UPPER LOOPER HOLDER	1	
6	1998-2	SCREW	1	
* 7	210107	GUIDE/UPPER LOOPER HOLDER	1	
8	204274	OIL WICK	1	
9	210105-2	PIN	1	
10	5292	SCREW	1	
*11	202174	OIL WICK	1	
12	210928A91	UPPER LOOPER HOLDER ASSEMBLY	1	
13	210104	LEVER/UPPER LOOPER	1	
14	5284	SCREW	1	
15	211926-T	UPPER LOOPER HOLDER ASSEMBLY	1	
*16	211654-T	UPPER LOOPER HOLDER	1	
17	1998-2	SCREW	1	
*18	210107	GUIDE/UPPER LOOPER HOLDER	1	
19	204274	OIL WICK	1	
20	210105-2	PIN	1	
21	5292	SCREW	1	
*22	202174	OIL WICK	1	



LOWER LOOPER DRIVE MECHANISM

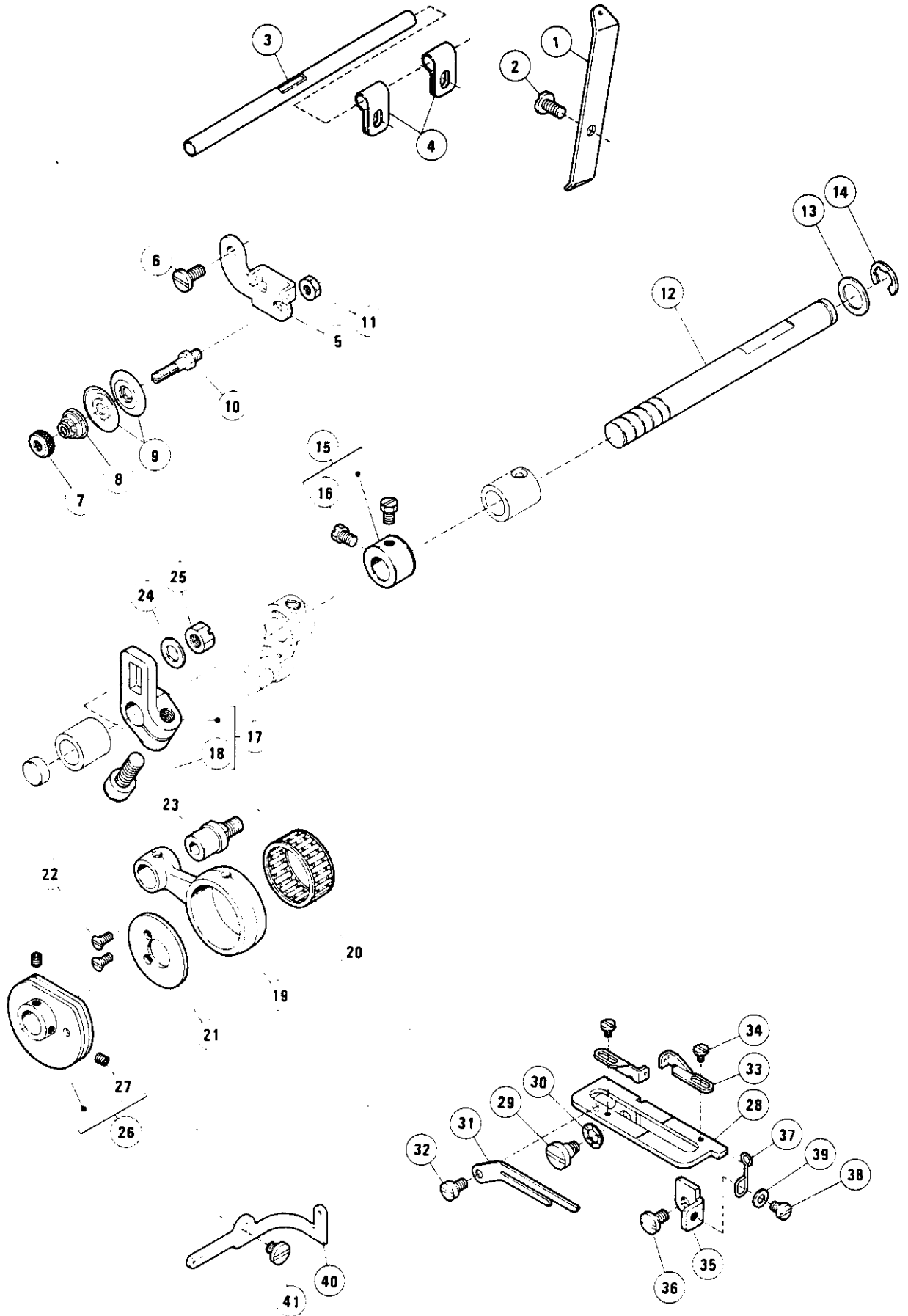
REF. NO.	PART NO.	NAME	QT.	MEMO
1	210530-BA	THREAD TENSION COMPLETE	1	
2	208447	POST NUT	1	
3	208448	SPRING BUSHING	1	
4	201086	SPRING (MEDIUM)	1	
5	208450	CUP	1	
6	210319	TENSION DISC	2	
7	208449	FELT	1	
8	5082A	SCREW STUD	1	
9	201439A	THREAD EYELET	1	
10	211581	THREAD TENSION COMPLETE	1	
11	5143A	STUD	1	
12	201439A	THREAD EYELET	1	
13	204657	PIPE	1	
14	201089	THREAD GUIDE (RIGHT)	1	
15	5519	SCREW	1	
16	202875	WASHER	1	
17	212727	THREAD GUIDE	1	
18	5441	SCREW	1	
19	210281	SHAFT/LOWER LOOPER	1	
20	204107	WASHER	1	
21	2193	SCREW	1	
22	202286	SPRING WASHER	1	
23	240102	WASHER	1	
24	210092	GUIDE/CONNECTION	1	
25	5546	SCREW	1	
26	202286	SPRING WASHER	1	
27	210093	BLOCK	1	
28	1231	SCREW	1	
29	210585	WASHER	1	
*30	210586	OIL SEAL	1	
31	210725	LOWER LOOPER LEVER	1	
32	5487	SCREW	1	
33	XXXXXX	LOWER LOOPER	1	
34	1175-2	SCREW	1	
35	212726	THREAD TAKEUP	1	
36	2902	SCREW	1	
37	212502	THREAD GUIDE	1	
38	210353	THREAD GUIDE	1	
39	211401	THREAD TAKEUP	1	

See pages 58--102 for ×××××.



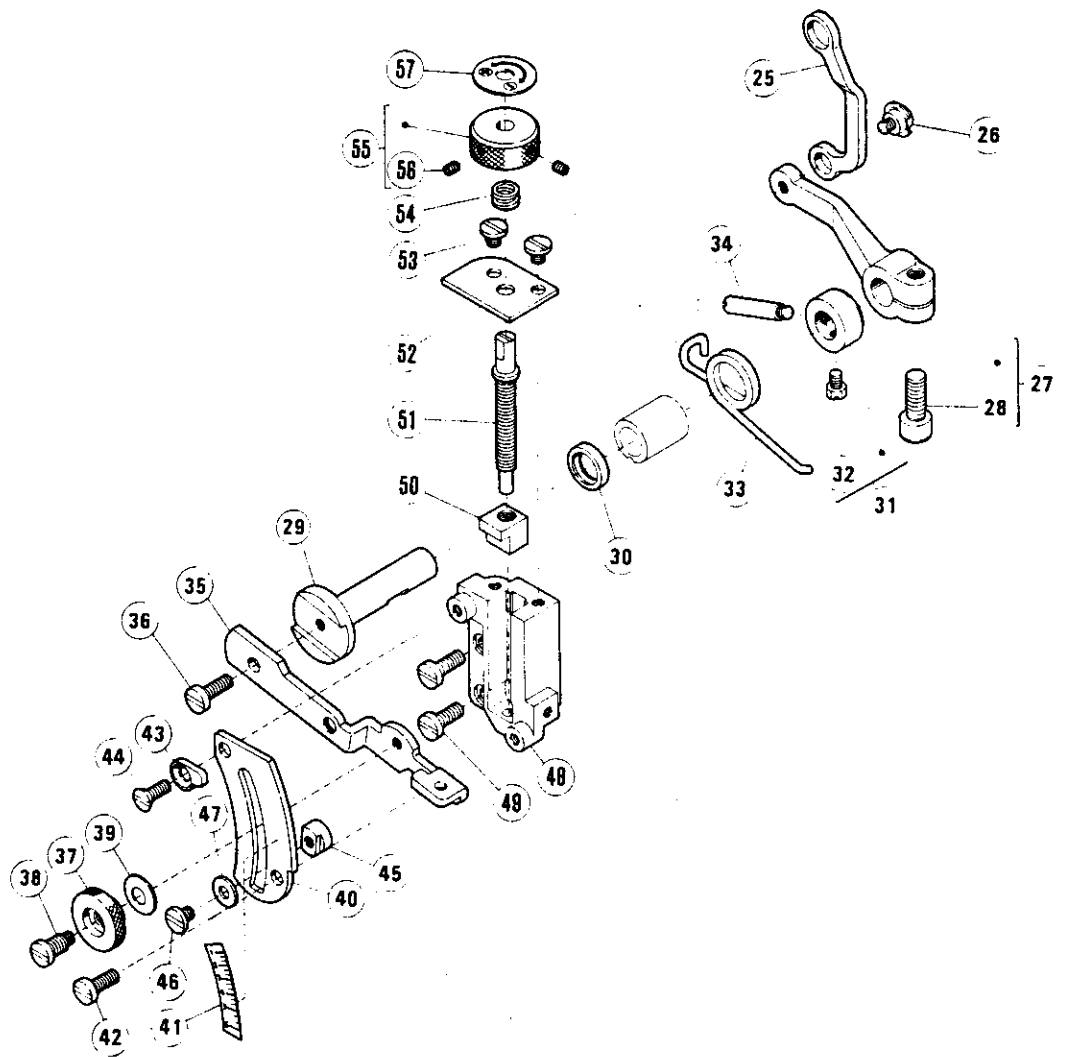
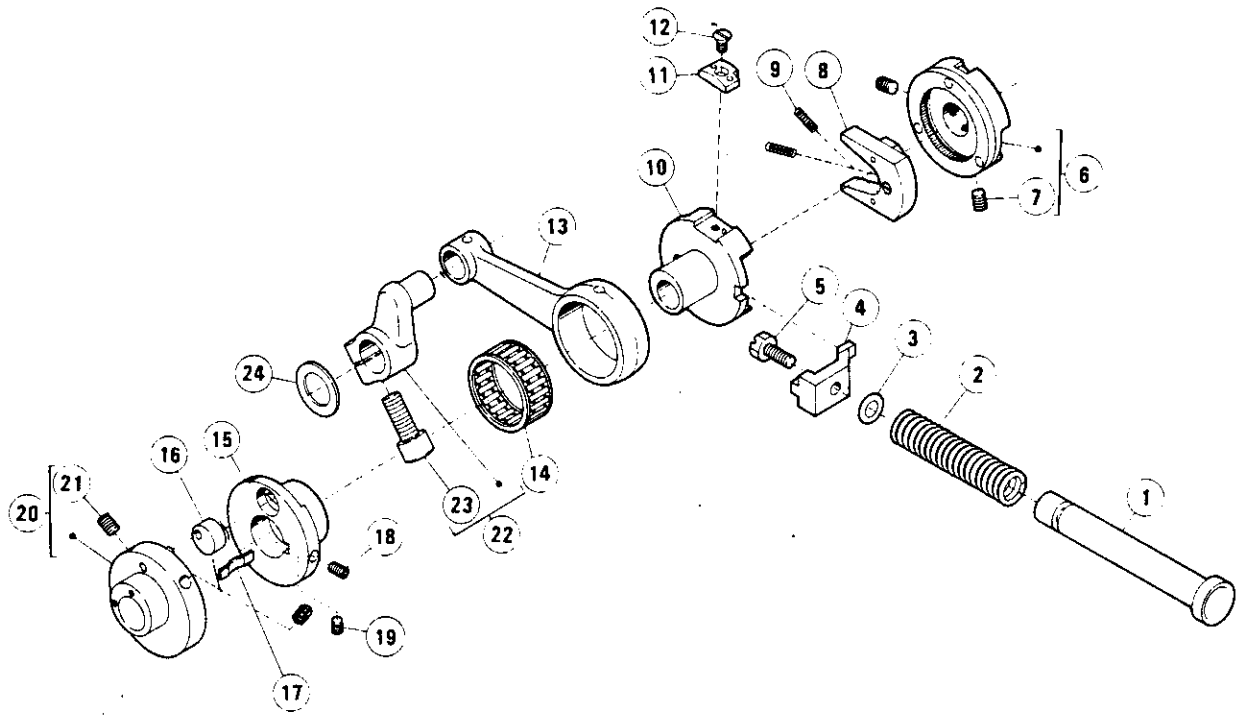
CHAINSTITCH LOOPER DRIVE MECHANISM(1)

REF. NO.	PART NO.	NAME	QT.	MEMO
1	210298	LOOPER HOLDER	1	
2	5487	SCREW	1	
3	204293	SPRING WASHER	1	
4	210357	DOUBLE CHAINSTITCH LOOPER	1	
5	1175-2	SCREW	1	
6	210299	REGULATOR	1	
7	2922	SCREW	1	
8	210294	CRANK/LOOPER DRIVE	1	
9	5457	SCREW	1	
10	204293	SPRING WASHER	1	
11	208194	LINK/LOOPER DRIVE	1	
12	208195	PIN	2	
13	5328	SCREW	2	
14	5084	SCREW	1	
*15	202176	OIL WICK	2	
16	208196	SHAFT/LOOPER DRIVE	1	
*17	210586	OIL SEAL	1	
18	210288	LEVER/LOOPER AVOIDING	1	
19	5461	SCREW	2	
20	210289	BLOCK	1	
21	208028	WASHER	1	
22	208029	COLLAR	1	
23	5084	SCREW	1	
24	4802	NUT	1	
25	210357-HC	DOUBLE CHAINSTITCH LOOPER	1	



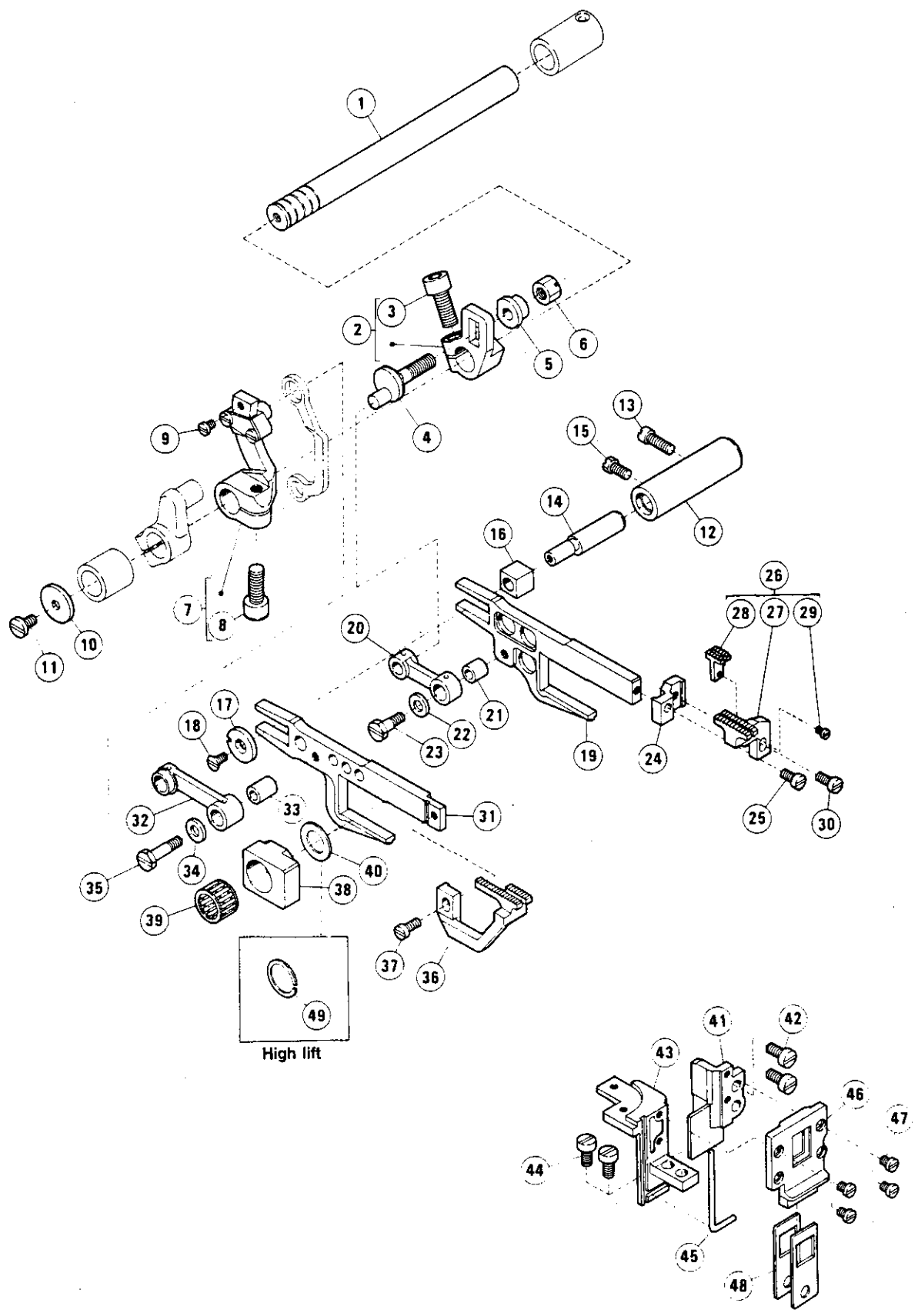
CHAINSTITCH LOOPER DRIVE MECHANISM(2)

REF. NO.	PART NO.	NAME	QT.	MEMO
1	210309	THREAD GUIDE	1	
2	4009-1	SCREW	1	
3	210310	THREAD TUBE	1	
4	206115	BRACKET	2	
5	211386	THREAD GUIDE	1	
6	5117	SCREW	1	
7	5526	NUT	1	
8	211388	SPRING	1	
9	137108	TENSION DISC	2	
10	211387	TENSION POST	1	
11	3044	NUT	1	
12	212654	SHAFT/LOOPER AVOIDING	1	
13	240102	WASHER	1	
14	205061	RING	1	
15	210293	COLLAR	1	
16	5084	SCREW	2	
17	210287	CRANK/LOOPER AVOIDING	1	
18	5457	SCREW	1	
19	210284	CONNECTION/LOOPER AVOIDING	1	
20	205015-2	NEEDLE BEARING	1	
21	210283	COLLAR	1	
22	5259	SCREW	2	
23	210285	PIN	1	
24	202433	WASHER	1	
25	5455	NUT	1	
26	210300	THREAD TAKEUP	1	
27	5292	SCREW	2	
28	210304	BRACKET/LOOPER THREAD GUIDE	1	
29	5494	SCREW	1	
30	210307	WASHER	1	
31	210302	GUIDE/THREAD TAKEUP	1	
32	1216	SCREW	1	
33	210303	THREAD GUIDE	2	
34	5077	SCREW	2	
35	210308	STOPPER	1	
36	5453	SCREW	1	
37	210306	SPRING	1	
38	1234	SCREW	1	
39	137906	WASHER	1	
40	210311	THREAD GUIDE	1	
41	4009-1	SCREW	1	



FEED MECHANISM(1)

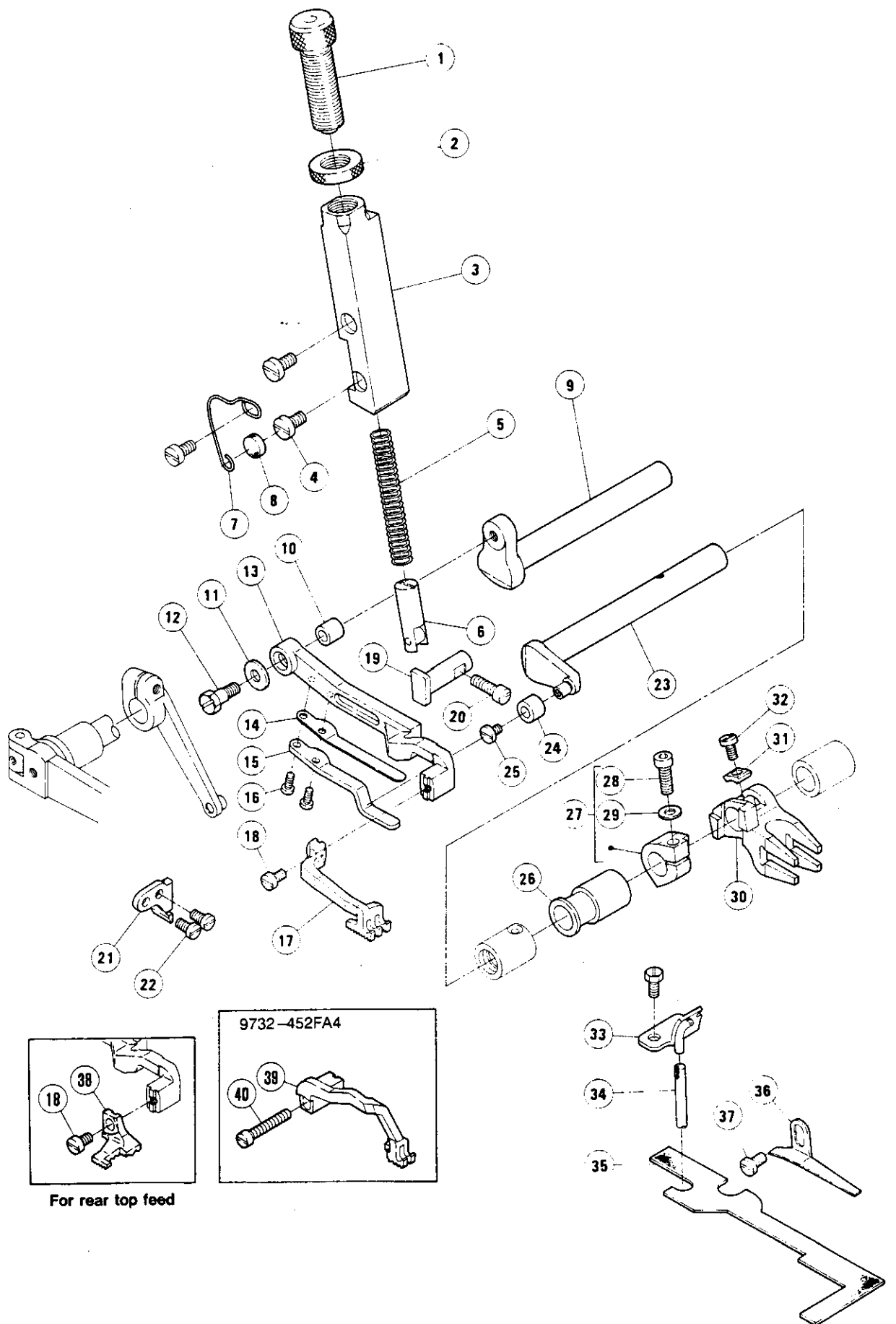
REF. NO.	PART NO.	NAME	QT.	MEMO
1	210137	PUSH BUTTON	1	
2	210139	SPRING	1	
3	204185	O RING	1	
4	210138	STOPPER	1	
5	2193	SCREW	1	
6	210136	RATCHET WHEEL COMPLETE	1	
7	5461	SCREW	2	
8	208411	FEED REGULATING RATCHET	1	
9	208415	SPRING	2	
10	211802A	ECCENTRIC/FEED REGULATING	1	
11	211804	STOPPER	1	
12	5437	SCREW	1	
13	210140	CONNECTION/FEED DRIVE	1	
14	204084-2	NEEDLE BEARING	1	
15	210127	ECCENTRIC/FEED DRIVE	1	
16	210129	GUDE/FEED ECCENTRIC	1	
17	210130	FLAT SPRING	1	
18	5427	SCREW	1	
19	5292	SCREW	1	
20	210282A	ECCENTRIC/LOOPER AVOIDING	1	
21	5461	SCREW	2	
22	210141A	CRANK/FEED DRIVE	1	
23	5457	SCREW	1	
24	208235	WASHER	1	
25	210161	LINK/DIFF. FEED REGULATING	1	
26	5316	SCREW	1	
27	210162	LEVER/DIFF. FEED REGULATING	1	
28	5457	SCREW	1	
29	210163	SHAFT/DIFF. FEED REGULATING	1	
30	204052A	OIL SEAL	1	
31	204754A	COLLAR	1	
32	5084	SCREW	1	
33	204756	SPRING	1	
34	204757	PIN	1	
35	210166	LEVER/DIFF. FEED REGULATING	1	
36	5117	SCREW	1	
37	210167	THUMB NUT	1	
38	5486	SCREW	1	
39	211301	SPRING	1	
40	210168	REGULATING PLATE/DIFF. FEED	1	
41	210170	INDICATION PLATE	1	
42	5117	SCREW	1	
43	210700	STOPPER	1	
44	1732	SCREW	1	
45	210171	STOPPER	1	
46	2905	SCREW	1	
47	201185	WASHER	1	
48	211314	REGULATING BASE/DIFF. FEED	1	
49	5118	SCREW	2	
50	210535	BLOCK/DIFF. FEED REGULATING	1	
51	210172	REGULATING BAR/DIFF. FEED	1	
52	210534	GUIDE/DIFF. FEED REG. BAR	1	
53	5091	SCREW	2	
54	210533	SPRING	1	
55	210532	THUMB NUT	1	
56	5292	SCREW	2	
57	212179	MARK	1	



FEED MECHANISM(2)

REF. NO.	PART NO.	NAME	QT.	MEMO
1	212028	FEED SHAFT	1	
2	210144	CRANK/MAIN FEED	1	
3	5457	SCREW	1	
4	210145	PIN	1	
5	210146	WASHER	1	
6	5455	NUT	1	
7	210152	CRANK COMPLETE/DIFF. FEED	1	
8	5457	SCREW	1	
9	5346	SCREW	1	
10	210100	WASHER	1	
11	4009-1	SCREW	1	
12	204129A	BUSHING	1	
13	2133-1	SCREW	1	
14	204128A	PIN	1	
15	5084	SCREW	1	
16	205418	BLOCK/FEED BAR GUIDE	1	
17	204439A	WASHER	1	
18	5317	SCREW	1	
19	210154	MAIN FEED BAR	1	
20	210147	LINK/MAIN FEED	1	
21	210148	BUSHING	1	
22	204115	WASHER	1	
23	5489	SCREW	1	
24	210343	BRACKET/MAIN FEED DOG	1	
25	1175-2	SCREW	1	
26	XXXXXX	MAIN FEED DOG COMPLETE	1	
27	XXXXXX	MAIN FEED DOG	1	
28	XXXXXX	AUXILIARY FEED DOG	1	
29	5492	SCREW	1	
30	1175-2	SCREW	1	
31	210155	DIFFERENTIAL FEED BAR	1	
32	210153	LINK/DIFFERENTIAL FEED	1	
33	204114	BUSHING	1	
34	204115	WASHER	1	
35	5231	SCREW	1	
36	XXXXXX	DIFFERENTIAL FEED DOG	1	
37	1175-2	SCREW	1	
38	210156	BLOCK	1	
39	206128-2	NEEDLE BEARING	1	
40	208235	WASHER	1	
41	210157	GUIDE (RIGHT)/FEED BAR	1	
42	5205	SCREW	2	
43	210158	GUIDE (LEFT)/FEED BAR	1	
44	2902	SCREW	2	
45	208168	GASKET	1	
46	210160	GUIDE/FEED BAR OIL SEAL	1	
47	5346	SCREW	4	
48	210159	OIL SEAL	2	
49	206129	RING	1	

See pages 58-102 for ××××××.



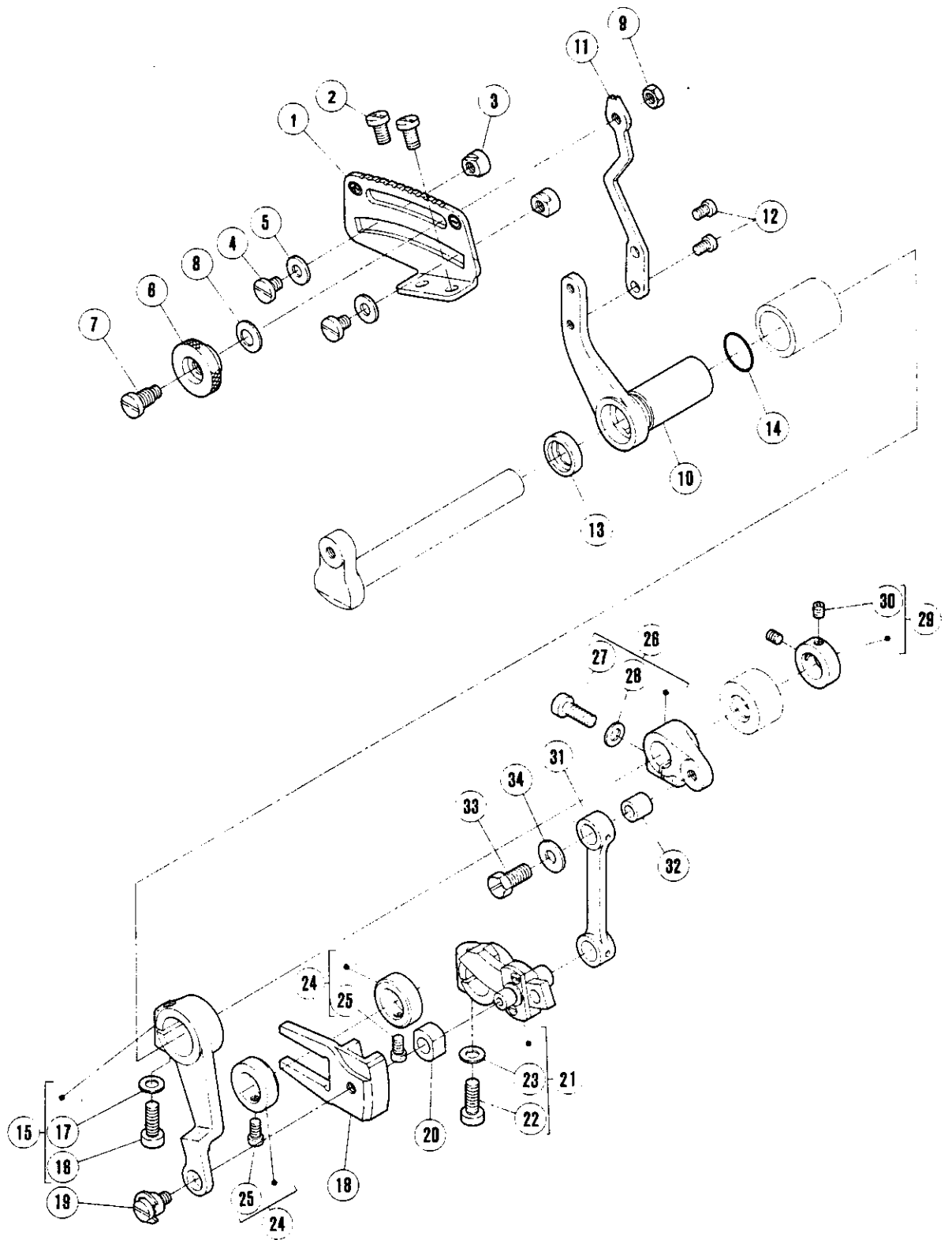
For rear top feed

9732-452FA4

TOP FEED MECHANISM(1)

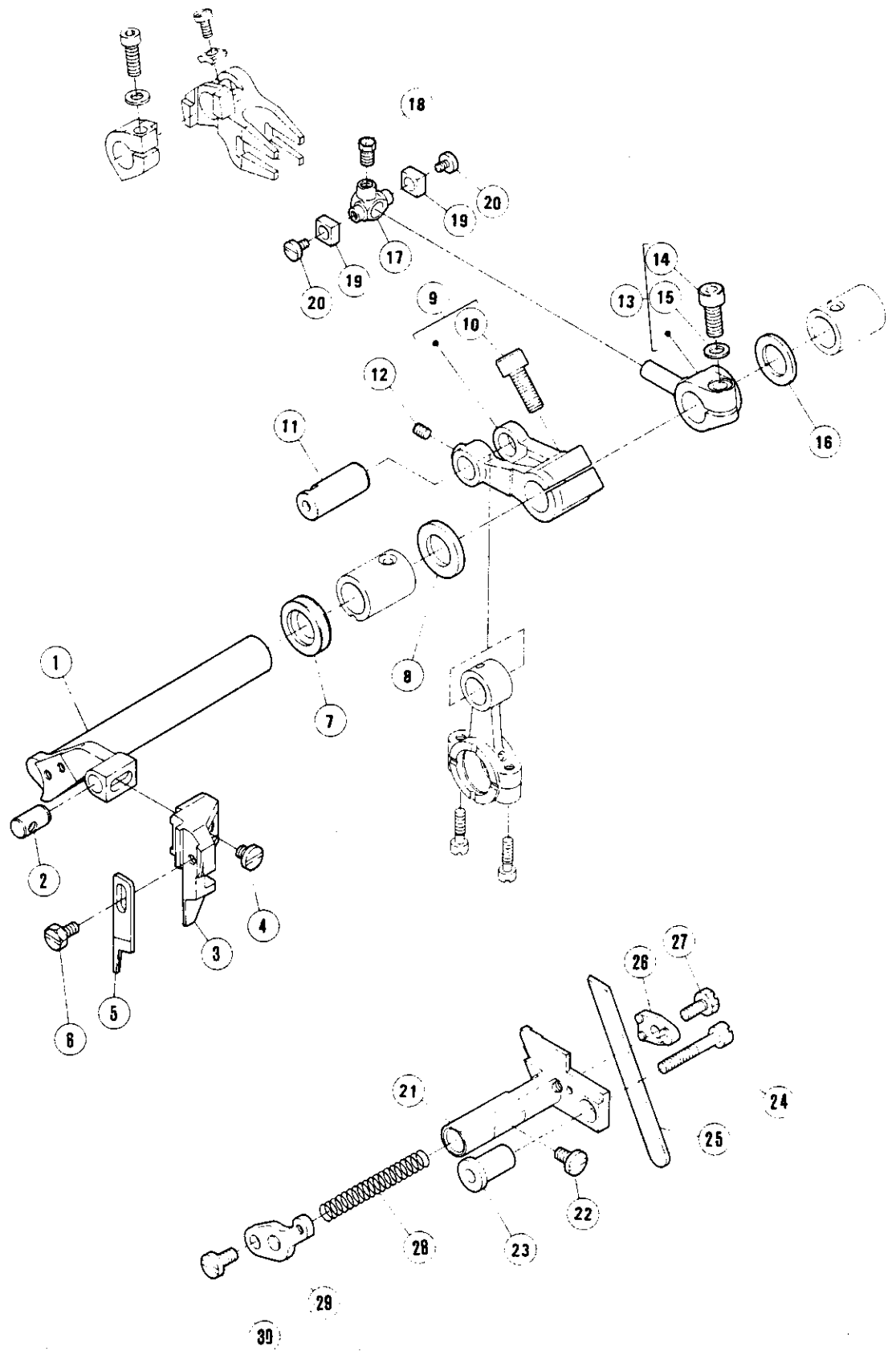
REF. NO.	PART NO.	NAME	QT.	MEMO
1	212440	THUMB SCREW	1	
2	210328	ADJUSTING SCREW NUT	1	
3	212025	PRESSER BAR GUIDE	1	
4	5117	SCREW	2	
5	212026	SPRING	1	
6	212021	PRESSER BAR COMPLETE	1	
7	212145	SPRING	1	
8	212144	FELT	1	
9	212036	SHAFT	1	
10	210148	BUSHING	1	
11	204115	WASHER	1	
12	5489	SCREW	1	
13	212400	TOP FEED BAR	1	
14	212448	PLATE(UPPER)	1	
15	212449	PLATE(LOWER)	1	
16	5492	SCREW	2	
17	XXXXXX	TOP FEED DOG	1	
18	1175-2	SCREW	1	
19	212019	GUIDE (RIGHT)	1	
20	2133-1	SCREW	1	
21	212020	GUIDE (LEFT)	1	
22	5328	SCREW	2	
23	212404	ROD	1	
24	212015	ROLLER	1	
25	5597	SCREW	1	
26	212405	SPACER	1	
27	212447	LATCH	1	
28	5568	SCREW	1	
29	307003	WASHER	1	
30	212445	CRANK	1	
31	212446	CRANK GUIDE	1	
32	5089	SCREW	1	
33	212140	OIL PIPE ASSEMBLY	1	
34	212143	FELT	1	
35	212146	FELT	1	
36	212147	FELT RETAINER	1	
37	2905	SCREW	1	
38	XXXXXX	TOP FEED DOG	1	
39	XXXXXX	TOP FEED DOG	1	
40	1132	SCREW	1	

See pages 58~102 for ××××××.



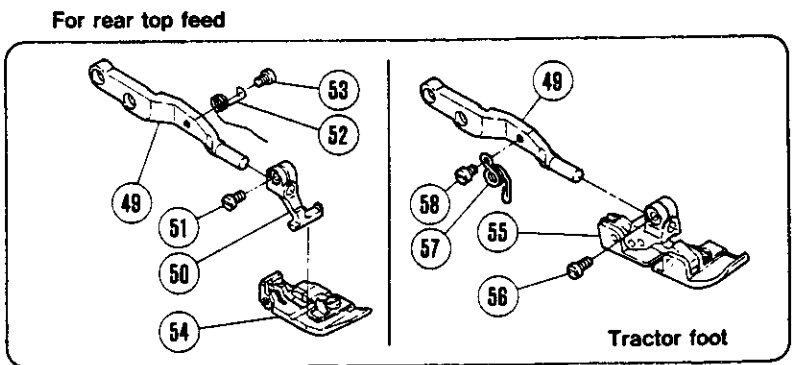
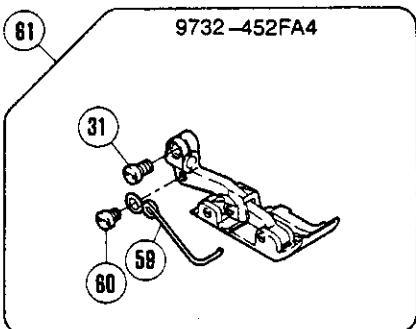
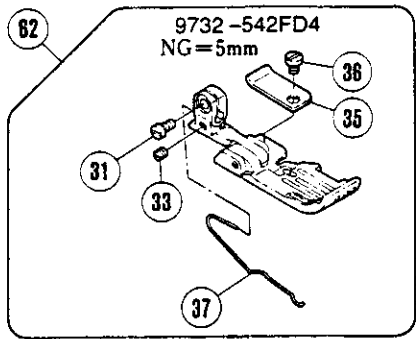
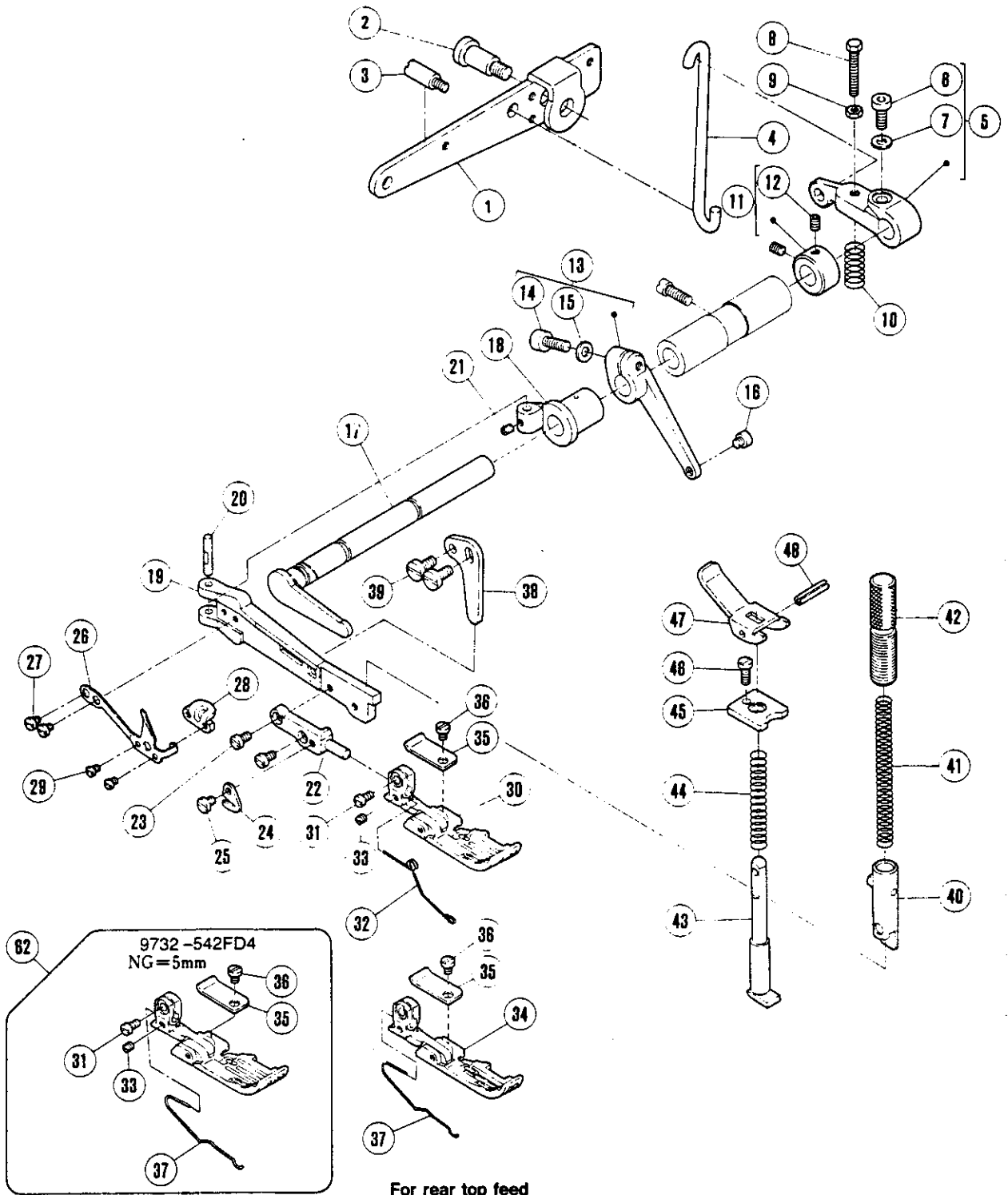
TOP FEED MECHANISM(2)

REF. NO.	PART NO.	NAME	QT.	MEMO
1	212416	BLADE GUIDE	1	
2	5117	SCREW	2	
3	210171	STOPPER	2	
4	2905	SCREW	2	
5	201185	WASHER	2	
6	210167	THUMB NUT	1	
7	5486	SCREW	1	
8	211301	SPRING	1	
9	3044	NUT	1	
10	212042	LEVER	1	
11	212419	LEVER	1	
12	5053	SCREW	2	
13	204052A	OIL SEAL	1	
14	201022	O RING	1	
15	212652	LEVER	1	
16	5594	SCREW	1	
17	307003	WASHER	1	
18	212651	GUIDE/BLOCK	1	
19	5316	SCREW	1	
20	252531	BLOCK	1	
21	212646	CRANK ASSEMBLY	1	
22	5594	SCREW	1	
23	307003	WASHER	1	
24	212653	COLLAR	2	
25	1998-2	SCREW	2	
26	212035	CRANK	1	
27	5594	SCREW	1	
28	307003	WASHER	1	
29	212039	COLLAR	1	
30	5292	SCREW	2	
31	212650	LINK	1	
32	210148	BUSHING	1	
33	5489	SCREW	1	
34	204115	WASHER	1	



KNIFE DRIVE MECHANISM

REF. NO.	PART NO.	NAME	QT.	MEMO
1	213222A	UPPER KNIFE LEVER	1	
2	208579	PIN	1	
3	210315B	UPPER KNIFE CLAMP	1	
4	2902	SCREW	1	
* 5	201121A	UPPER KNIFE	1	
6	5088	SCREW	1	
7	210069	OIL SEAL	1	
8	206180	WASHER	1	
9	210314	CRANK/UPPER KNIFE DRIVE	1	
10	5457	SCREW	1	
11	210175	PIN	1	
12	5461	SCREW	1	
13	212408	CRANK	1	
14	5594	SCREW	1	
15	307003	WASHER	1	
16	208235	WASHER	1	
17	212409	PIN	1	
18	5084	SCREW	1	
19	212410	BLOCK	2	
20	5597	SCREW	2	
21	210316	LOWER KNIFE HOLDER	1	
22	4009-1	SCREW	1	
23	210180	GUIDE/LOWER KNIFE HOLDER	1	
24	5094	SCREW	1	
*25	202295	LOWER KNIFE/THICK	1	
26	210184	CLAMP/LOWER KNIFE	1	
27	2193	SCREW	1	
28	202340	SPRING	1	
29	210183	SPRING RETAINER	1	
30	5117	SCREW	1	



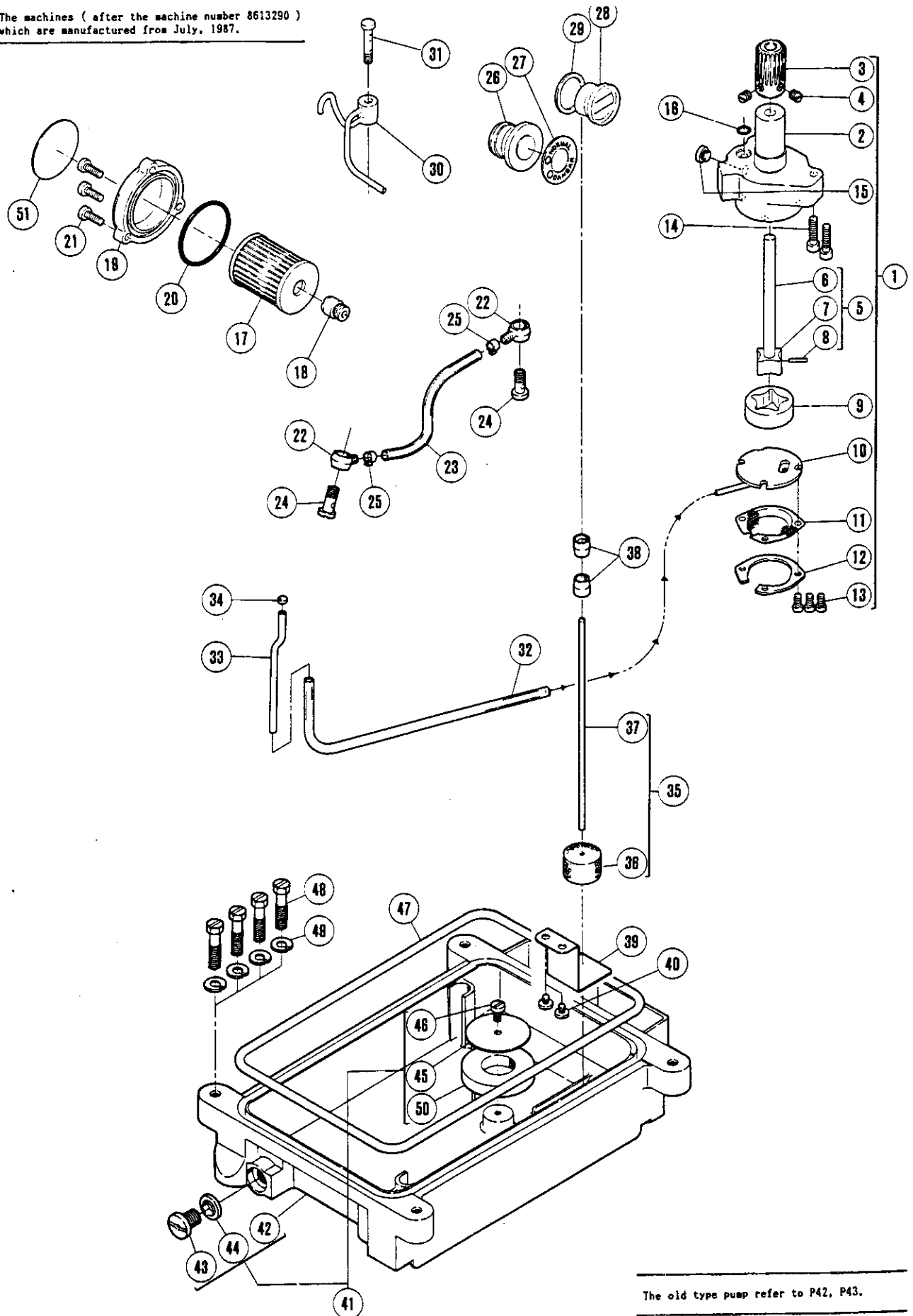
Tractor foot

NG=Needle Gauge

PRESSER FOOT MECHANISM

REF. NO.	PART NO.	NAME	QT.	MEMO
1	211636	LEVER/FOOT LIFT	1	
2	2285B	SCREW	1	
3	5481	SCREW	1	
4	210335	LINK/FOOT LIFT LEVER	1	
5	212050	LEVER/FOOT LIFT	1	
6	5457	SCREW	1	
7	207924	WASHER	1	
8	5503	SCREW	1	
9	3044	NUT	1	
10	240172	SPRING	1	
11	210728	COLLAR	1	
12	5292	SCREW	2	
13	212052	LEVER/FOOT LIFT	1	
14	5594	SCREW	1	
15	307003	WASHER	1	
16	5596	SCREW	1	
17	212047	SHAFT/FOOT LIFT	1	
18	212049	HINGE/PRESSER ARM	1	
19	211823	PRESSER ARM	1	
20	210323	PIN	1	
21	5292	SCREW	1	
22	212420	BRACKET/PRESSER FOOT	1	
23	5089	SCREW	2	
24	202451	CHAIN CUTTER	1	
25	2921	SCREW	1	
26	212438	FLAT SPRING	1	
27	5299	SCREW	2	
28	212439	GUIDE	1	
29	5030	SCREW	2	
30	XXXXXX	PRESSER FOOT ASSEMBLY	1	
31	5328	SCREW	1	
32	212669	SPRING	1	
33	1459	SCREW	1	
34	XXXXXX	PRESSER FOOT ASSEMBLY	1	
35	212668	EUXILIARY PLATE	1	
36	5030	SCREW	1	
37	212719	SPRING	1	
38	210517	STOPPER/PRESSER ARM	1	
39	5117	SCREW	1	
40	208537	PRESSER BAR COMPLETE	1	
*41	211941	SPRING	1	
42	208774	THUMB SCREW	1	
43	202645	PLUNGER	1	
44	201395	SPRING	1	
45	208599	BUSHING	1	
46	5029	SCREW	1	
47	211657	LEVER/HAND LIFT	1	
48	202647A	PIN	1	
49	212705	BRACKET/PRESSER FOOT	1	
50	212062	HOLDER	1	
51	5328	SCREW	1	
52	212063	SPRING	1	
53	2921	SCREW	1	
54	XXXXXX	PRESSER FOOT ASSEMBLY	1	
55	XXXXXX	PRESSER FOOT ASSEMBLY	1	
56	5328	SCREW	1	
57	211517	SPRING	1	
58	2921	SCREW	1	
59	212923	SPRING	1	
60	2921	SCREW	1	
61	XXXXXX	PRESSER FOOT ASSEMBLY	1	

The machines (after the machine number 8613290)
 which are manufactured from July, 1987.

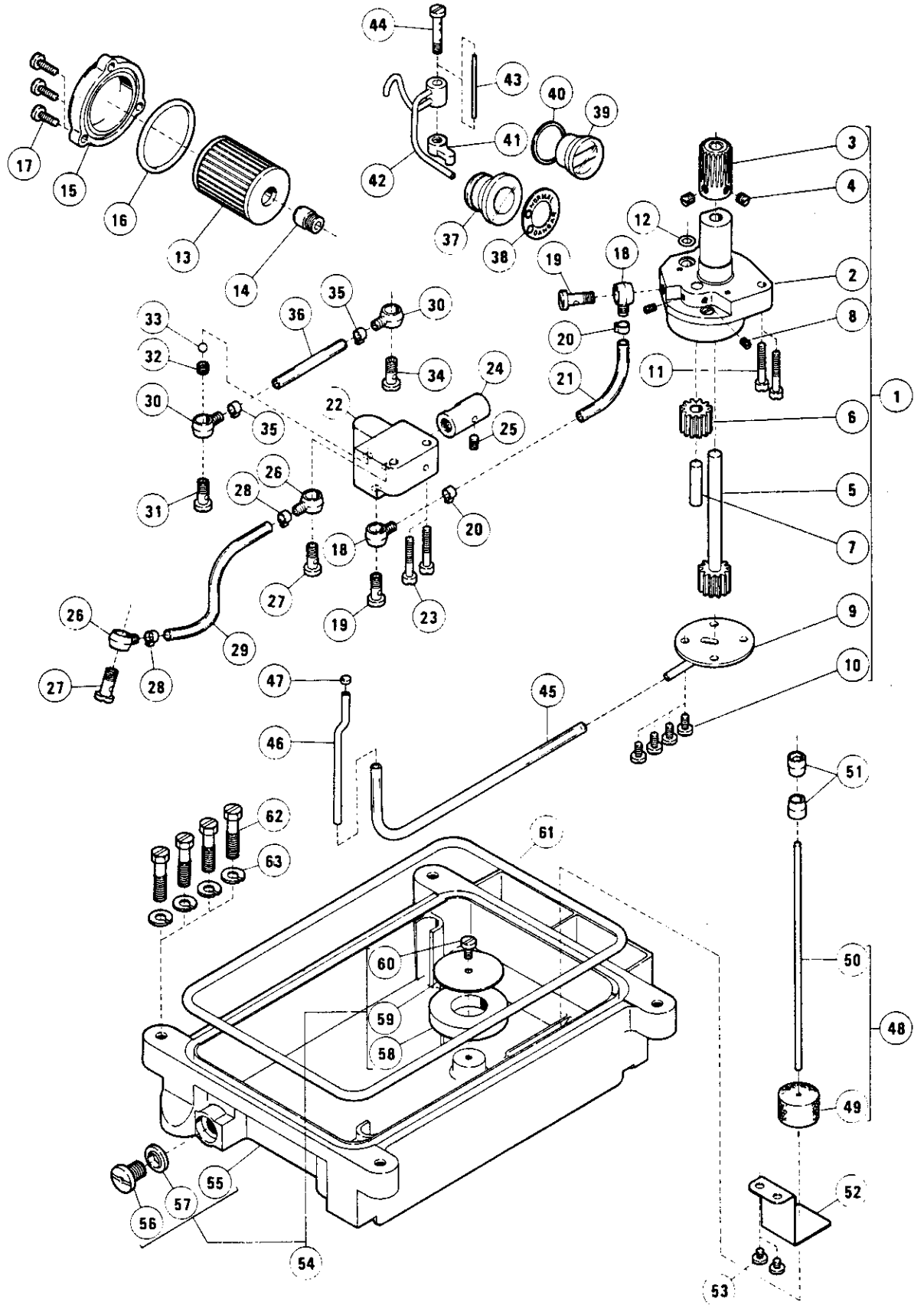


The old type pump refer to P42, P43.

LUBRICATING MECHANISM

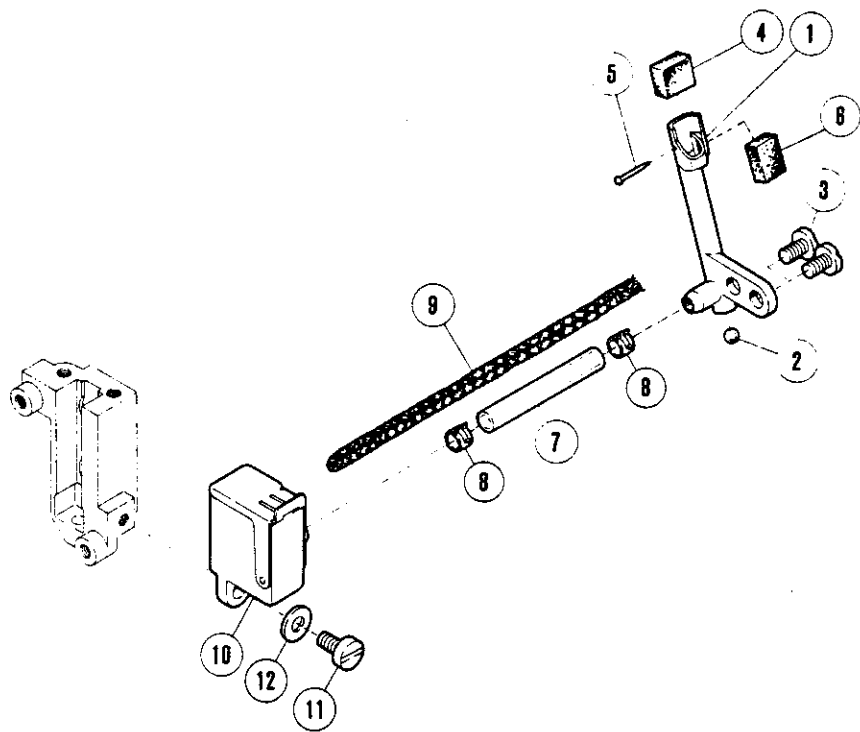
REF. NO.	PART NO.	NAME	QT.	MEMO
1	212972A91	TROCHOID PUMP ASSEMBLY	1	
* 2	212976	TROCHOID PUMP	1	
3	211531	WORM WHEEL	1	
4	5060	SCREW	2	
5	212978-91	ROTOR (INSIDE) SHAFT	1	
* 6	212979	SHAFT	1	
* 7	212980	ROTOR (INSIDE)	1	
* 8	206468	PIN	1	
9	212981	ROTOR (OUTSIDE)	1	
10	212983-91	PLATE	1	
11	213578A	FILTER	1	
12	213579	GUIDE	1	
13	1175-2	SCREW	3	
14	5095	SCREW	2	
15	5145	SCREW	1	
16	204185	O RING	1	
17	206233	OIL FILTER	1	
18	210200	BRACKET/OIL FILTER	1	
19	210201-CD	OIL FILTER CAP	1	
20	206431	O RING	1	
21	5118	SCREW	3	
22	200136	JOINT	2	
23	205113A	OIL TUBE	1	
24	200152	JOINT SCREW	2	
25	202199	CLAMP	2	
26	210198	OIL MONITOR COMPLETE	1	
27	210199	NAME PLATE/OIL MONITOR	1	
28	210190	OIL SIGHT GAUGE	1	
29	211369	WASHER	1	
30	212188	OIL DISTRIBUTOR	1	
31	212998	JOINT SCREW	1	
32	212152	TUBE	1	
33	212153	PIPE	1	
34	303487	FELT	1	
35	210193	INDICATOR COMPLETE	1	
*36	179257-05	FLOAT	1	
*37	210192	INDICATOR	1	
38	210194	INDICATOR GUIDE	2	
39	210510	INDICATOR SUPPORT	1	
40	2905	SCREW	2	
41	212634	OIL RESERVOIR COMPLETE	1	
42	210211	OIL RESERVOIR	1	
43	5138B	SCREW	1	
44	202287A	GASKET	1	
45	210521	MAGNET BRACKET	1	
46	5117	SCREW	1	
47	210212	O RING	1	
48	5113	SCREW	4	
49	202045	SPRING WASHER	4	
50	210520	MAGNET	1	
51	9A3002	FILTER SEAL	1	

Notice) Parts with mark ※ are not for sale.



LUBRICATING MECHANISM (OLD TYPE)

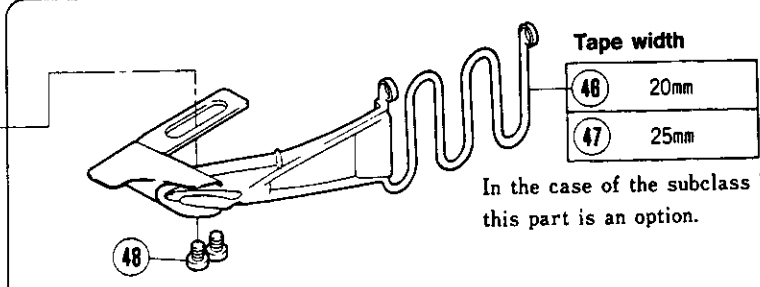
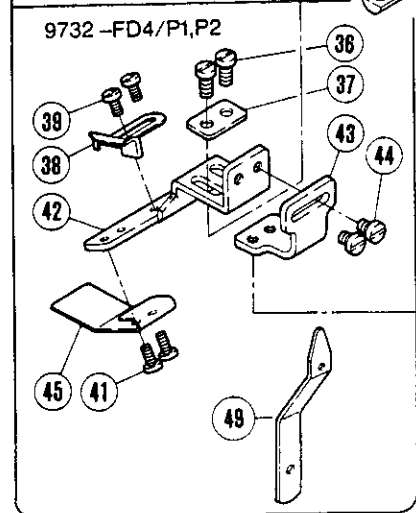
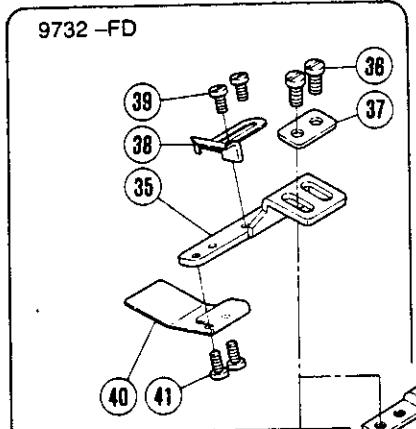
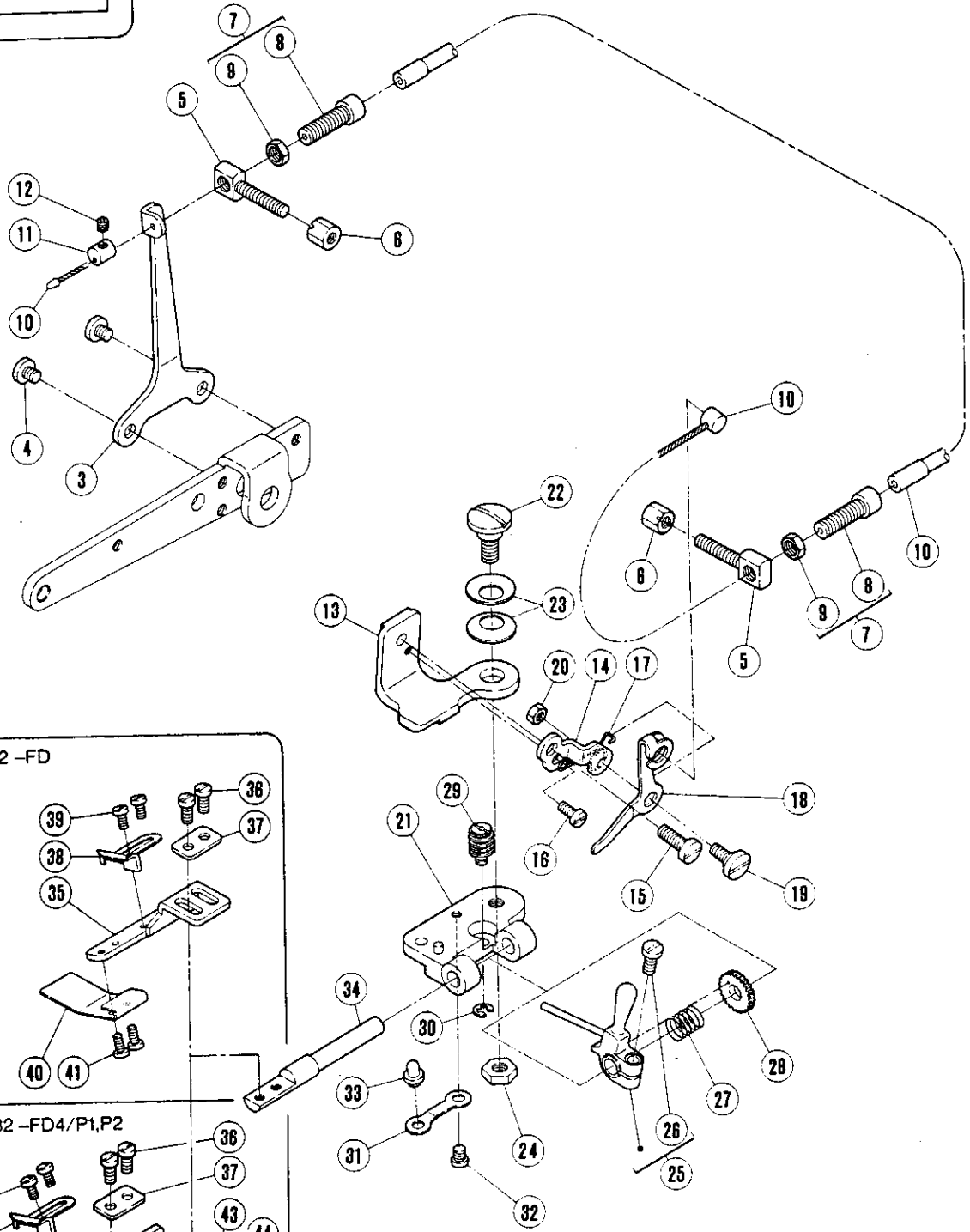
REF. NO.	PART NO.	NAME	QT.	MEMO
1	212148	OIL PUMP ASSEMBLY	1	
* 2	210188	GEAR PUMP	1	
3	211531	WORM WHEEL	1	
4	5060	SCREW	2	
5	208687	GEAR	1	
6	201295	GEAR	1	
7	204184	GEAR SHAFT	1	
8	1458	SCREW	2	
* 9	212149	CASING PLATE	1	
10	5117	SCREW	4	
11	5095	SCREW	2	
12	204185	O RING	1	
13	206233	OIL FILTER	1	
14	210200	BRACKET/OIL FILTER	1	
15	210201-FD	OIL FILTER CAP	1	
16	206431	O RING	1	
17	5118	SCREW	3	
18	200136	JOINT	2	
19	200152	JOINT SCREW	2	
20	202199	CLAMP	2	
21	210701	OIL TUBE	1	
22	210206	BY-PASS BLOCK	1	
23	5095	SCREW	2	
24	205635	BY-PASS VALVE ASSEMBLY	1	
25	1458	SCREW	1	
26	200136	JOINT	2	
27	200152	JOINT SCREW	2	
28	202199	CLAMP	2	
29	205763	OIL TUBE	1	
30	200136	JOINT	2	
31	200152	JOINT SCREW	1	
32	210744	POST	1	
33	200144	BALL	1	
34	200152	JOINT SCREW	1	
35	202199	CLAMP	2	
36	210208	TUBE	1	
37	210198	OIL MONITOR COMPLETE	1	
38	210199	NAME PLATE/OIL MONITOR	1	
39	210190	OIL SIGHT GAUGE	1	
40	211369	WASHER	1	
41	210202	LUBRICATION BLOCK	1	
42	212188	OIL DISTRIBUTOR	2	
43	210205	PIN	1	
44	210204	JOINT SCREW	1	
45	212152	TUBE	1	
46	212153	PIPE	1	
47	303487	FELT	1	
48	210193	INDICATOR COMPLETE	1	
*49	179257-05	FLOAT	1	
*50	210192	INDICATOR	1	
51	210194	INDICATOR GUIDE	2	
52	210510	INDICATOR SUPPORT	1	
53	2905	SCREW	2	
54	212634	OIL RESERVOIR COMPLETE	1	
55	210211	OIL RESERVOIR	1	
56	5138B	SCREW	1	
57	202287A	GASKET	1	
58	210520	MAGNET	1	
59	210521	MAGNET BRACKET	1	
60	5117	SCREW	1	
61	210212	O RING	1	
62	5113	SCREW	4	
63	202045	SPRING WASHER	4	



H.R. DEVICE

REF. NO.	PART NO.	NAME	QT.	MEMO
1	210317	NEEDLE COOLER	1	
2	210214	PLUG	1	
3	5091	SCREW	2	
4	204466	OIL WICK	1	
* 5	210766	PIN	1	
6	240178	OIL FELT	1	
7	211639	OIL TUBE	1	
8	200155	TUBE CLAMP	2	
* 9	202176	OIL WICK	1	
10	210539	SILICONE OIL RESERVOIR (LOWER)	1	
11	5345	SCREW	1	
12	201185	WASHER	1	

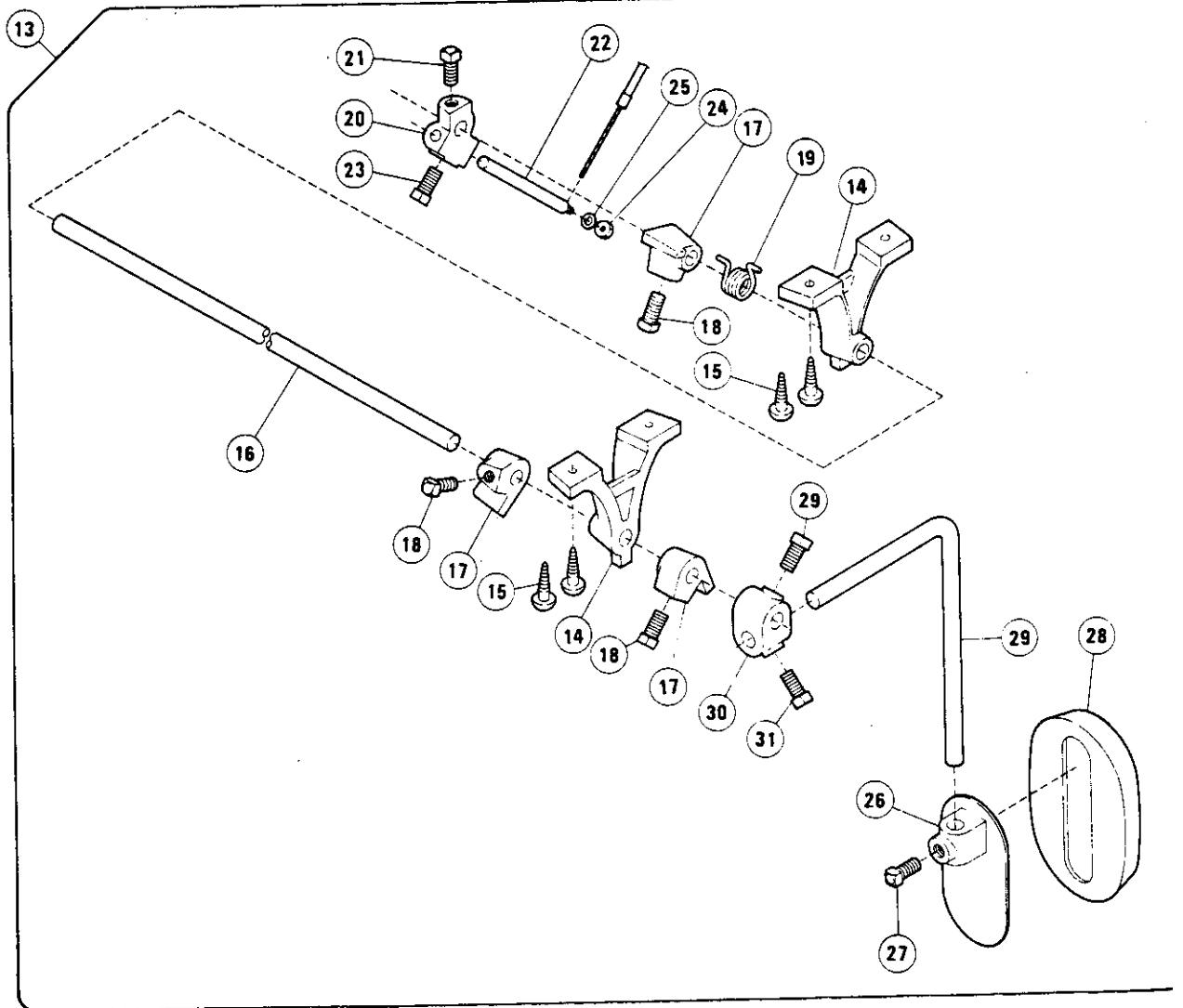
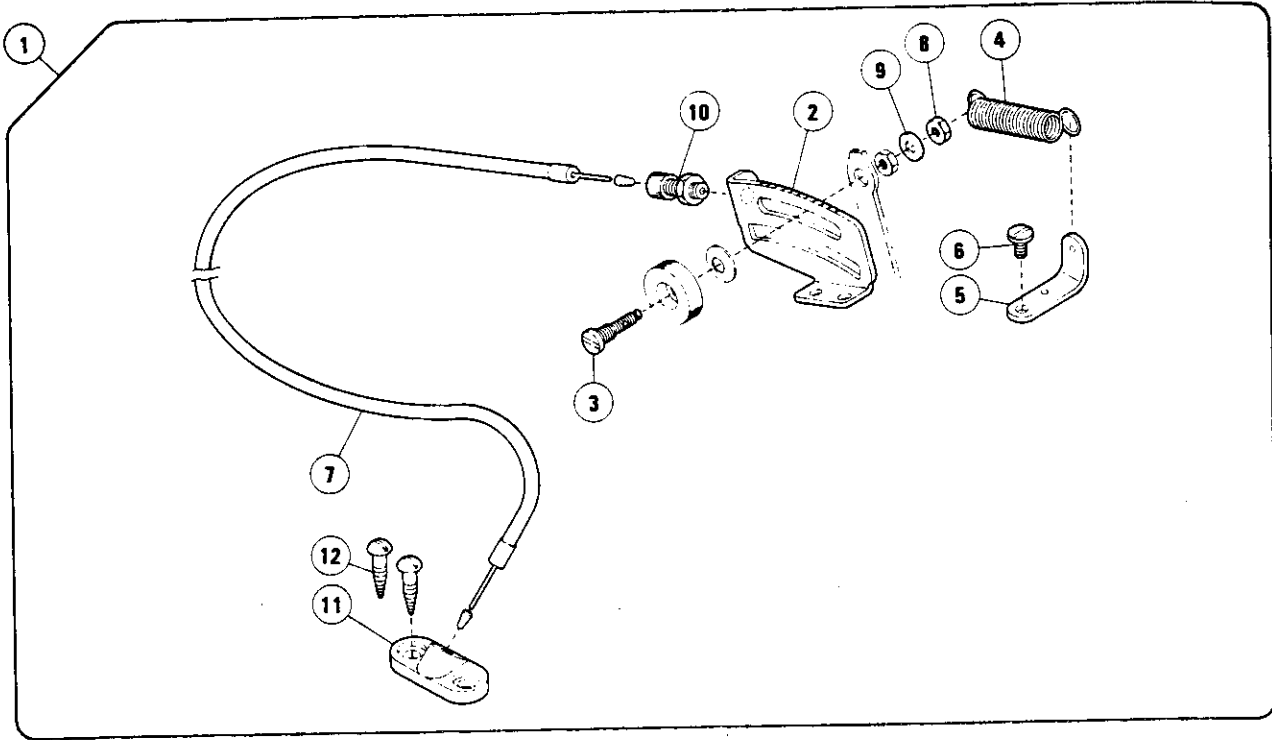
- 1 9732 -FD
- 2 9732 -FD4/P1,P2



In the case of the subclass "P1" this part is an option.

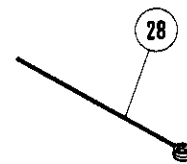
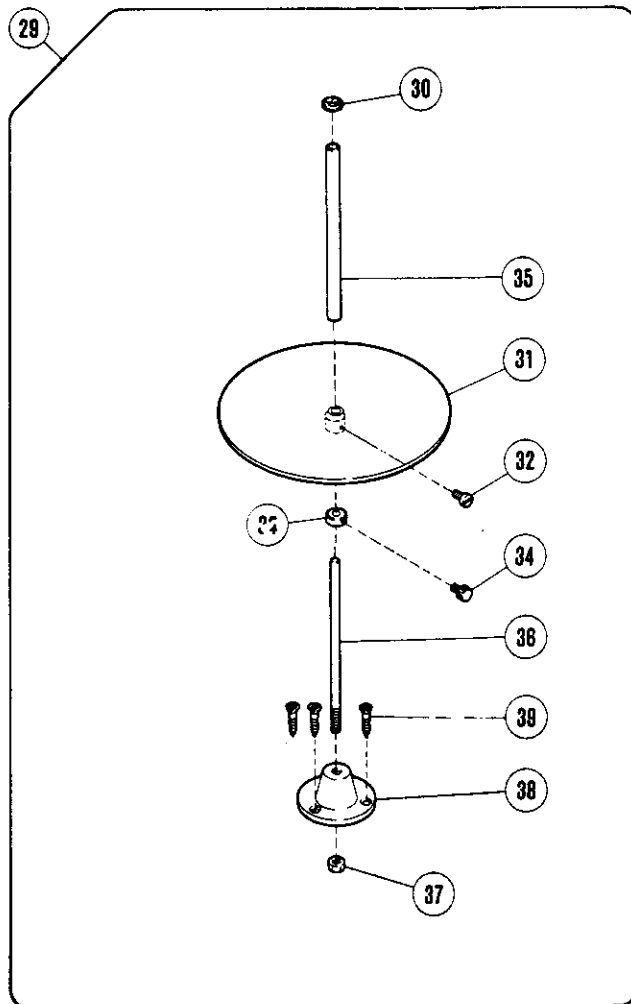
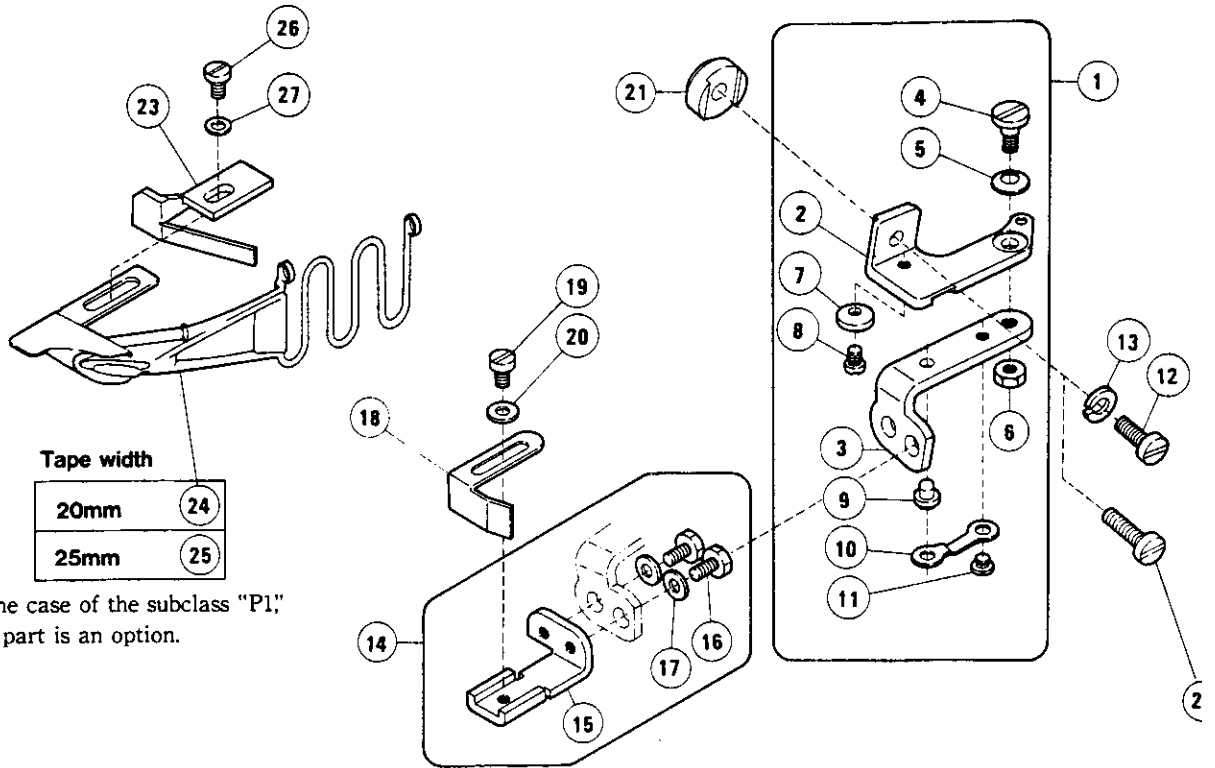
SHIRRING ATTACHMENT

REF. NO.	PART NO.	NAME	QT.	MEMO
1	212655	SHIRRING ATTACHMENT COMPLETE	1	
2	212655A91	SHIRRING ATTACHMENT COMPLETE	1	
3	212433	LEVER	1	
4	2905	SCREW	2	
5	212437	BRACKET	2	
6	5111	SCREW	2	
7	212436	CABLE SUPPORT	2	
* 8	212477	CABLE SUPPORT	2	
9	4806	NUT	2	
10	212435	CABLE	1	
11	212434	STOPPER	1	
12	1459	SCREW	1	
13	212600	BRACKET	1	
14	212430	BRACKET	1	
15	5118	SCREW	1	
16	5328	SCREW	1	
17	212432	SPRING	1	
18	212431	LEVER	1	
19	5515	SCREW	1	
20	3091	NUT	1	
21	212601	BRACKET	1	
22	5380	SCREW	1	
23	204888	SPRING	2	
24	5104	NUT	1	
25	212604	LEVER	1	
26	1175-2	SCREW	1	
27	212606	SPRING	1	
28	212607	GEAR	1	
29	212602	WORM	1	
30	200555	RING	1	
31	210684	FLAT SPRING	1	
32	1234	SCREW	1	
33	210683	PIN	1	
34	212603	ROD	1	
35	212659	BRACKET	1	
36	1196	SCREW	2	
37	210955	WASHER	1	
38	212660	CLOTH GUIDE	1	
39	5077	SCREW	2	
40	212658	SHIRRING BLADE	1	
41	5077	SCREW	2	
42	212938	BRACKET	1	
43	212939	BRACKET	1	
44	2921	SCREW	2	
45	212658A	SHIRRING BLADE	1	
46	211880	BINDER (20)	1	
47	211946	BINDER (25)	1	
48	2921	SCREW	2	
49	211949	CORD GUIDE PLATE	1	



KL DEVICE (MANUAL TYPE)

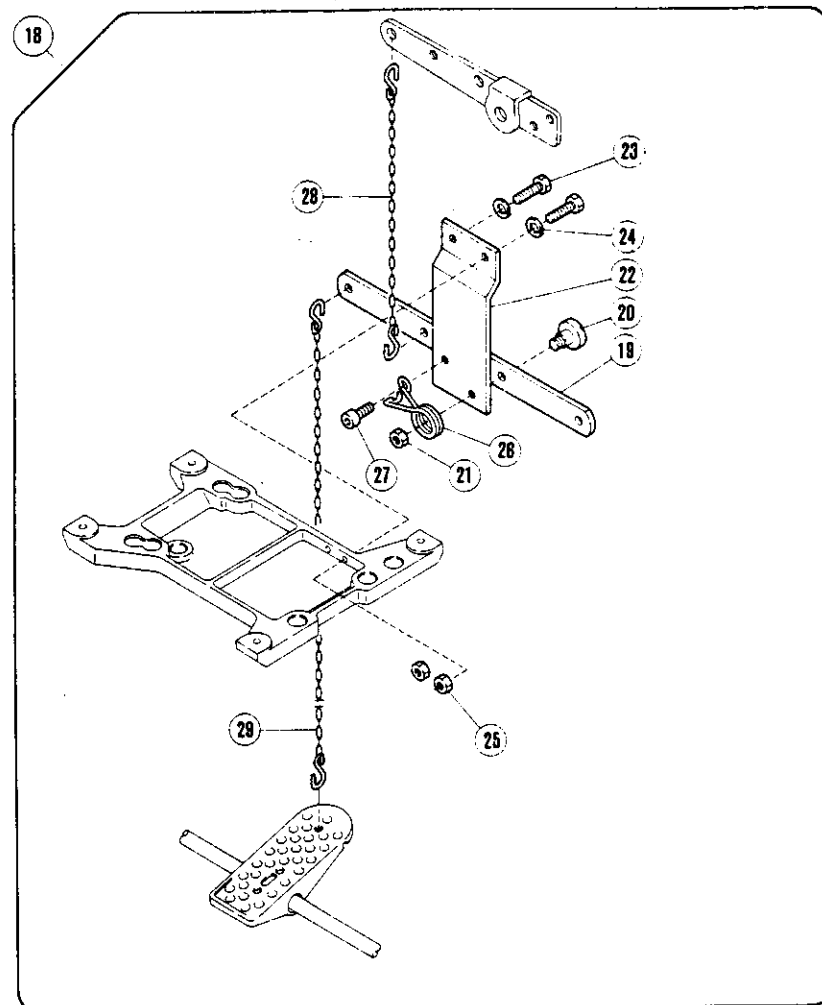
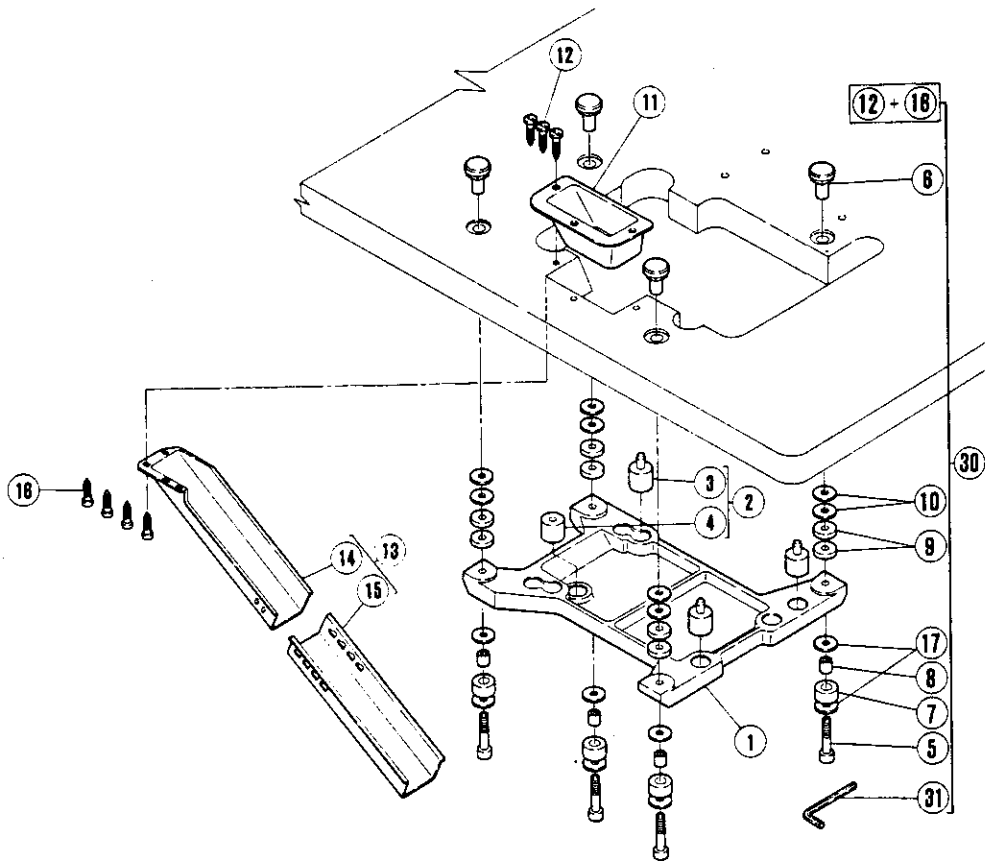
REF. NO.	PART NO.	NAME	QT.	MEMO
1	212478	INTERMITTENT ATTACHMENT	1	
2	212479	BLADE GUIDE	1	
3	212480	SCREW	1	
4	212481	SPRING	1	
5	212482	LATCH	1	
6	4009-1	SCREW	1	
7	212483	CABLE	1	
8	3044	NUT	1	
9	204585	WASHER	1	
10	212436	CABLE SUPPORT	1	
11	212484	BRACKET	1	
12	4906	SCREW	2	
13	212487	KNEE LIFTER ASSEMBLY	1	
14	207341-JA	FRAME	2	
15	4906	SCREW	4	
16	212485	ROD	1	
17	207344-JA	COLLAR	3	
18	5543	BOLT	3	
19	209287	SPRING	1	
20	207350-JA	BRACKET	1	
21	5543	BOLT	1	
22	212486	LEVER	1	
23	5543	BOLT	1	
24	4805	NUT	1	
25	202058	WASHER	1	
26	207345-JA	KNEE PAD BASE	1	
27	5543	BOLT	1	
28	207346	KNEE PAD	1	
29	212492	ROD	1	
30	212493-JA	BRACKET	1	
31	5543	BOLT	2	



In the case of the subclass "P1," this part is an option.

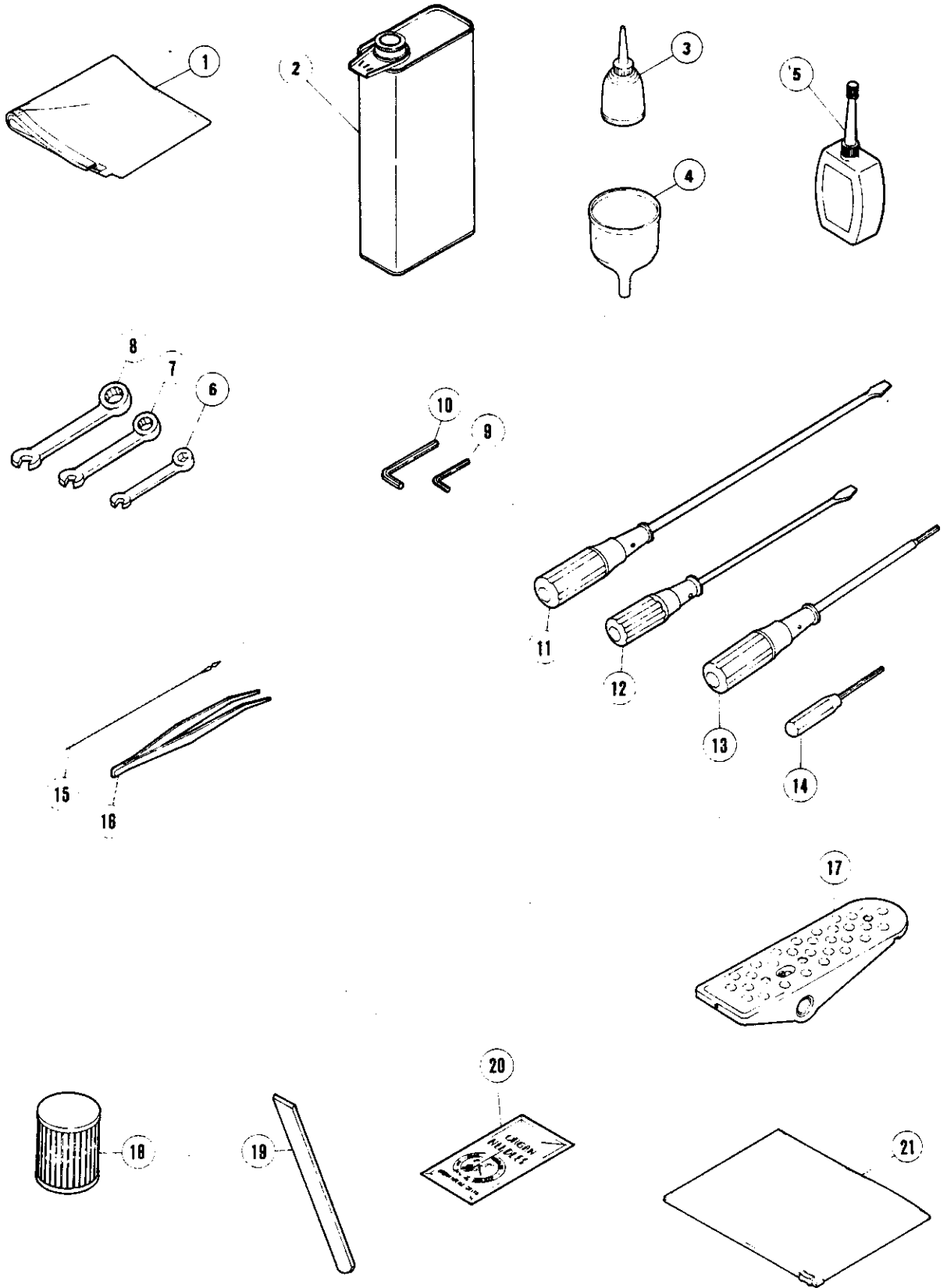
EDGE GUIDE PIPING ATTACHMENT

REF. NO.	PART NO.	NAME	QT.	MEMO
1	210685	CLOTH GUIDE BRACKET ASSEMBLY	1	
2	210680	CLOTH GUIDE BRACKET	1	
3	210681	HINGE/EDGE GUIDE BRACKET	1	
4	5184	SCREW	1	
5	201191	SPRING	1	
6	3044	NUT	1	
7	210682	STOPPER	1	
8	5053	SCREW	1	
9	210683	PIN	1	
10	210684	FLAT SPRING	1	
11	2906	SCREW	1	
12	5118	SCREW	1	
13	202286	SPRING WASHER	1	
14	210686	BRACKET COMPLETE/EDGE GUIDE	1	
15	210687	BRACKET/EDGE GUIDE	1	
16	5088	SCREW	2	
17	167066	WASHER	2	
18	201233A	EDGE GUIDE	1	
19	1202	SCREW	1	
20	167066	WASHER	1	
21	212287	SPACER	1	
22	5152	SCREW	1	
23	211879	EDGE GUIDE	1	
24	211880	BINDER (20)	1	
25	211946	BINDER (25)	1	
26	1202	SCREW	1	
27	167066	WASHER	1	
28	413	TAPE INSERTING TOOL	1	
29	403	TAPE DISC ASSEMBLY	1	
30	406	FELT	1	
31	404	TAPE DISC	1	
32	4012	SCREW	1	
33	407	COLLAR	1	
34	408	ADJUSTING SCREW	1	
35	405	FIXING ROD	1	
36	409	SHAFT	1	
37	4818	NUT	1	
38	410-JA	BRACKET	1	
39	4908	SCREW	3	



PARTS FOR SEMI-SUBMERGED INSTALLATION

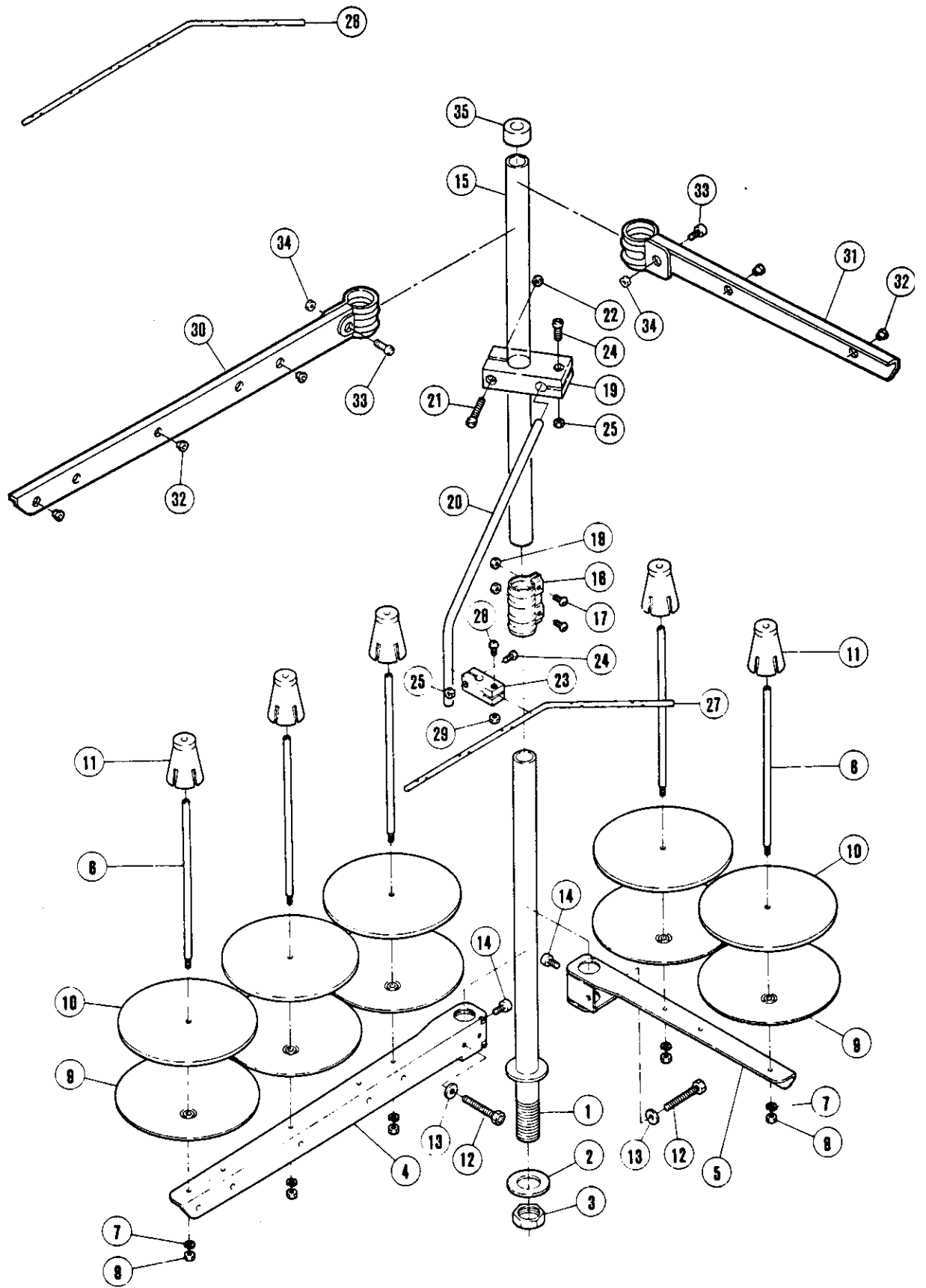
REF. NO.	PART NO.	NAME	QT.	MEMO
1	205466A	MACHINE REST BOARD	1	
2	9029	CUSHION RUBBER (SET)	1	
3	205473	CUSHION RUBBER	3	
4	210523	CUSHION RUBBER	1	
5	4512	SCREW	4	
6	206336	NUT	4	
7	205764	CUSHION RUBBER	4	
8	205765	LINER	4	
9	205467	SPACER	8	
10	206337	WASHER	8	
11	205470-JA	WASTE CHUTE TOP	1	
12	4904	SCREW	3	
13	9050	WASTE CHUTE SET	1	
14	205468-JA	WASTE CHUTE TOP	1	
15	205469-JA	WASTE CHUTE TOP (B)	1	
16	4906	SCREW	4	
17	206337	WASHER	8	
18	212441	FOOT LIFTER ASSEMBLY	1	
19	212442	LEVER	1	
20	5380	SCREW	1	
21	5104	NUT	1	
22	212443	BRACKET	1	
23	5276	SCREW	2	
24	303067	SPRING WASHER	2	
25	5426	NUT	2	
26	212444	SPRING	1	
27	5534	SCREW	1	
28	470	CHAIN	1	
29	471	CHAIN	1	
30	9030	BOLT SET	1	
31	272	ALLEN KEY/6MM	1	



ACCESSORIES

REF. NO.	PART NO.	NAME	QT.	MEMO
1	908	DUST COVER		
2	453	OIL CONTAINER/1000CC		
3	485	OILER		
4	484	OIL FUNNEL		
5	178	CONTAINER - SILICONE		
6	282	WRENCH/5MM		
7	284	WRENCH/7MM		
8	285	WRENCH/8MM		
9	322	ALLEN KEY/2.38MM		
10	200	ALLEN KEY/4.76MM		
11	127	SCREWDRIVER (LARGE)		
12	128	SCREWDRIVER (MEDIUM)		
13	414	ALLEN KEY DRIVER/3.17MM		
14	179	ALLEN KEY DRIVER		
15	153	THREADING WIRE		
16	131	TWEEZERS		
17	480	PEDAL		
18	206233	OIL FILTER		
*19	202295	LOWER KNIFE/THICK		
20	XXXXXX	NEEDLE		
21	482	ACCESSORY BAG		

See pages 58~102 for ×××××.

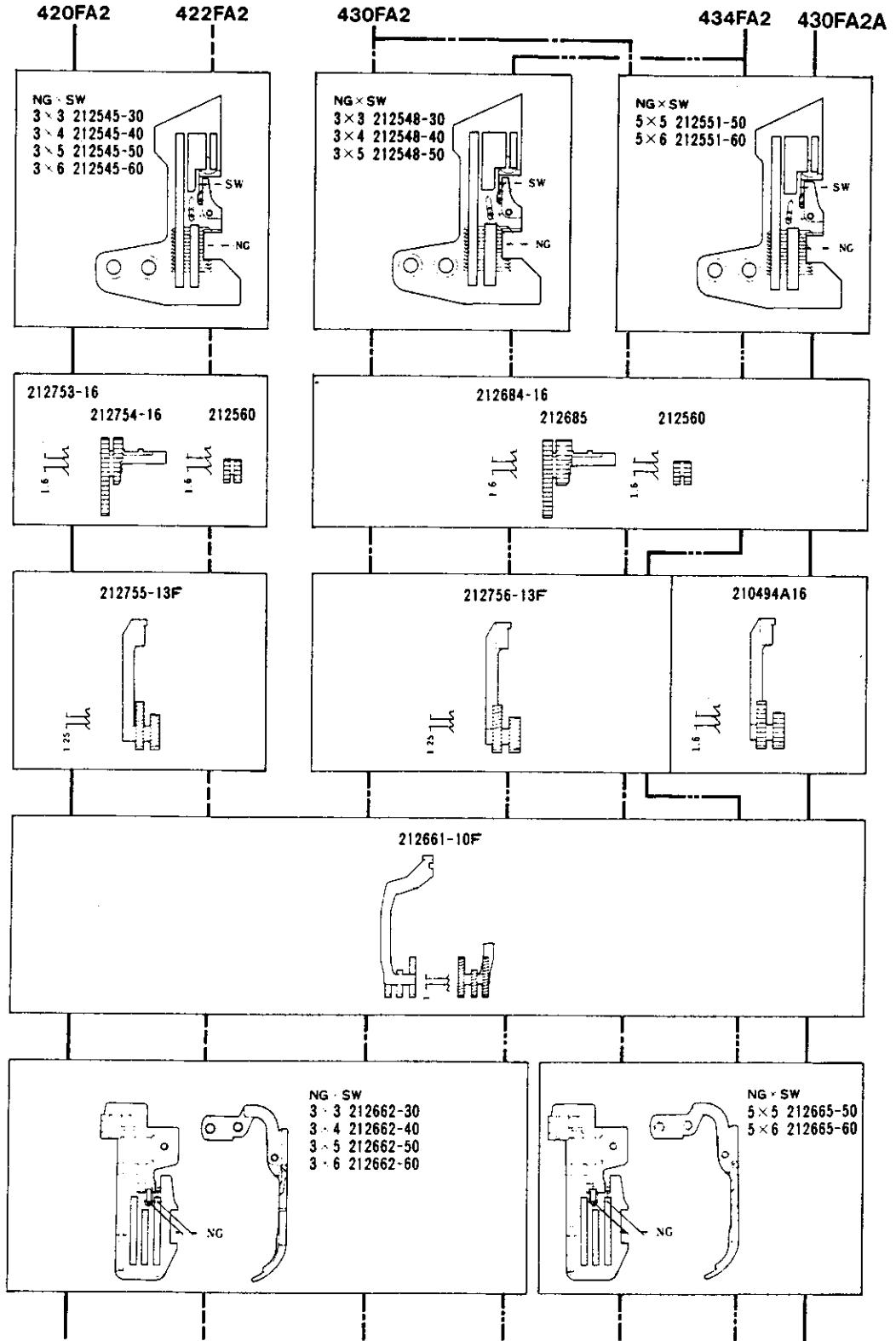


THREAD STAND

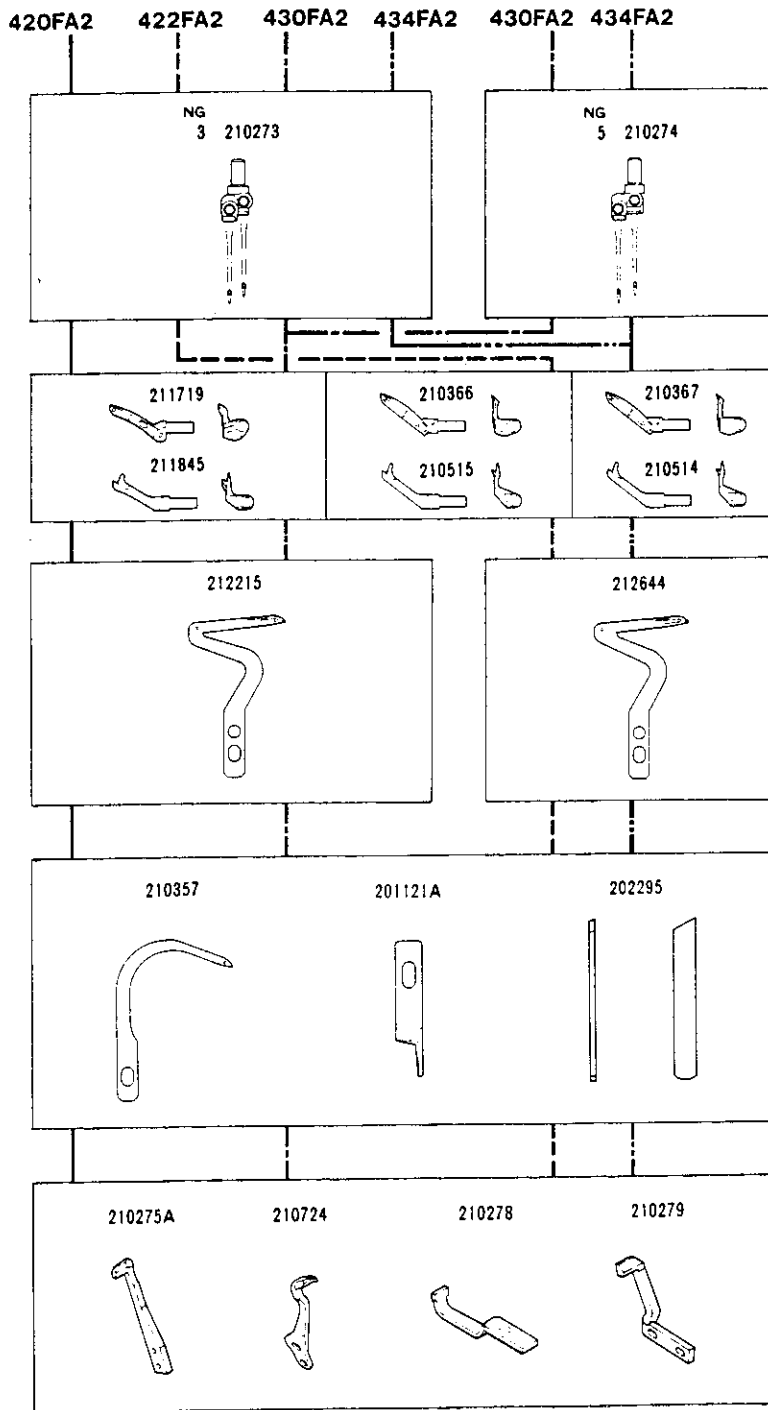
REF. NO.	PART NO.	NAME	QT.	MEMO
	486-9C	THREAD STAND ASS. (6-SPOOLS)	1	1
	486A9C	THREAD STAND ASS. (5-SPOOLS)	1	1
1	503-CA	THREAD STAND ROD (LOWER)	1	1
2	509	WASHER	1	1
3	5476	NUT	1	1
4	505-CA	BRACKET	1	2
5	505ACA	BRACKET	1	
6	380A	SPOOL PIN	5	6
7	201252	SPRING WASHER	5	6
8	4803	NUT	5	6
9	381-CA	SPOOL TRAY	5	6
10	507	CUSHION	5	6
11	382-CA	SPOOL RETAINING FIN	5	6
12	7102	SCREW	2	2
13	512	WASHER	2	2
14	4022	SCREW	2	2
15	502-CA	THREAD STAND ROD (UPPER)	1	1
16	504-CA	JOINT	1	1
17	4021	SCREW	2	2
18	4805	NUT	2	2
19	383-CA	BRACKET	1	1
20	384	THREAD GUIDE BAR ROD	1	1
21	4014	SCREW	1	1
22	4803	NUT	1	1
23	233-CA	HOLDER	1	1
24	4012	SCREW	2	2
25	4803	NUT	2	2
26	293	THREAD GUIDE BAR (6-SPOOLS)	1	1
27	293A	THREAD GUIDE BAR (5-SPOOLS)	1	1
28	4012	SCREW	1	1
29	4803	NUT	1	1
30	527-CA	BRACKET	1	2
31	527ACA	BRACKET	1	
32	506	THREAD EYELET	5	6
33	4117	SCREW	2	2
34	4805	NUT	2	2
35	386	ROD CAP	1	1

9732-420FA2/16-413
9732-422FA2/16-313

9732-430FA2/16-433
9732-434FA2/16-333



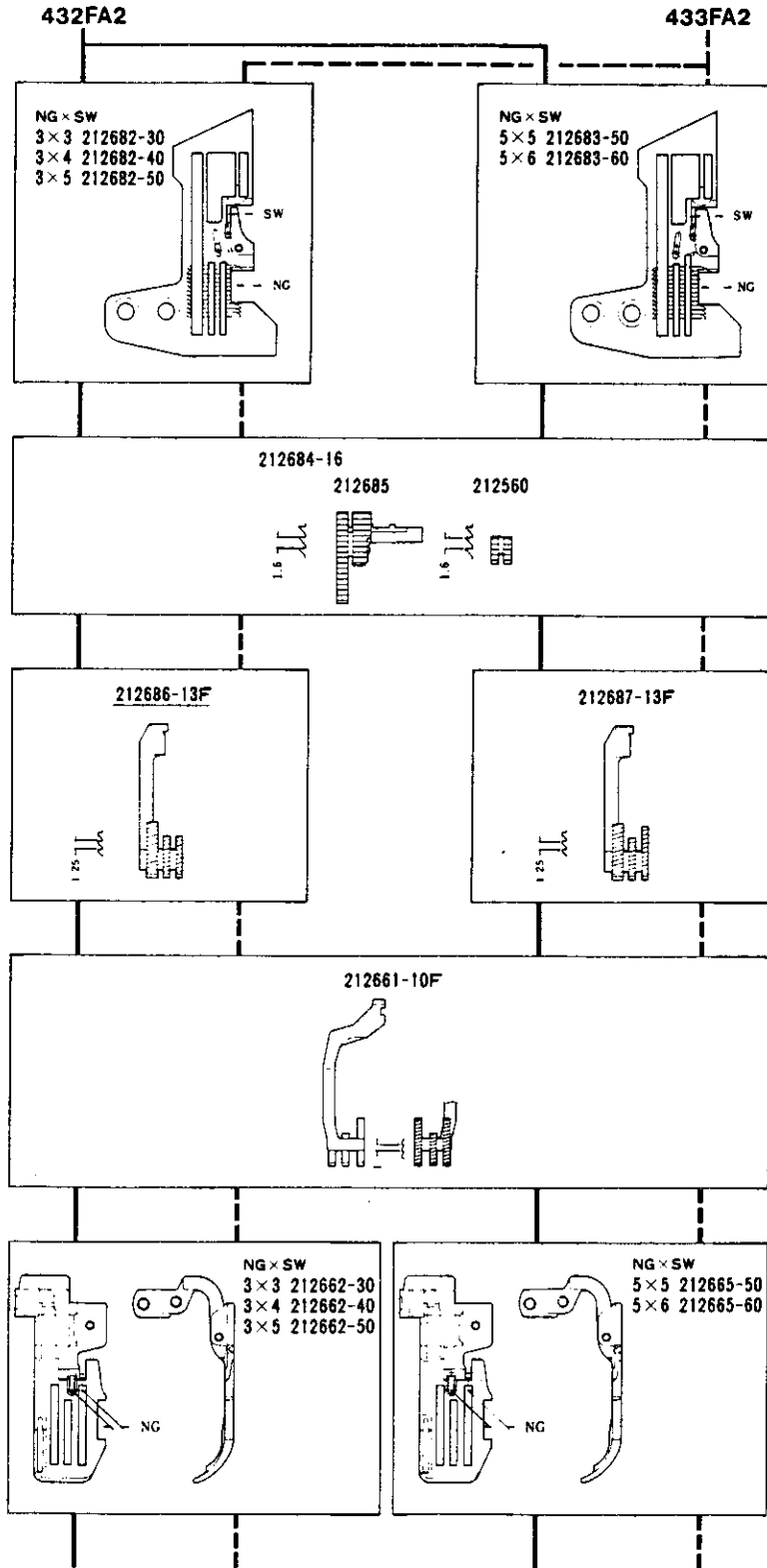
NG=NEEDLE GAUGE
SW=SEAM WIDTH

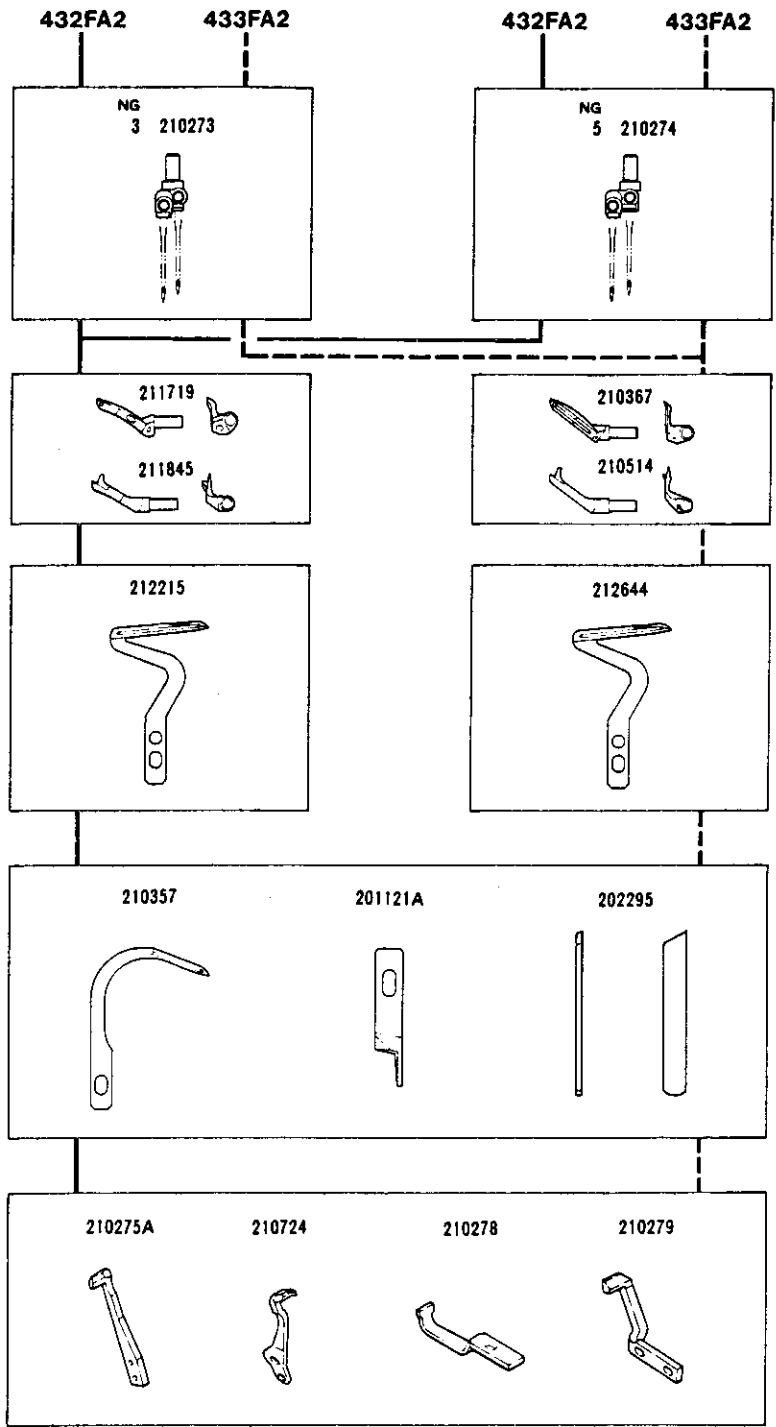


SEAMING






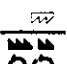



										MEMO	
9732-420FA2 /16-413 /15-413	3	3, 4, 5, 6	3.8	0.7-1.5	0.7-2	EX	6,000				Pants, pajamas
9732-422FA2 /16-313 /15-313	3	3, 4, 5, 6	"	"	"	HI	"				Dress shirts, blouses (P.P. fabrics, georgette)
9732-430FA2 /16-433 /15-433	3	3, 4, 5	"	"	"	EX	"				Pants, pajamas
	5	5, 6	"	"	"						
9732-434FA2 /16-333 /15-333	3	3, 4, 5	"	"	"	HI	"				Dress shirts, blouses (P.P. fabrics, georgette)
	5	5, 6	"	"	"						

9732-432FA2/16-453
 9732-433FA2/16-353

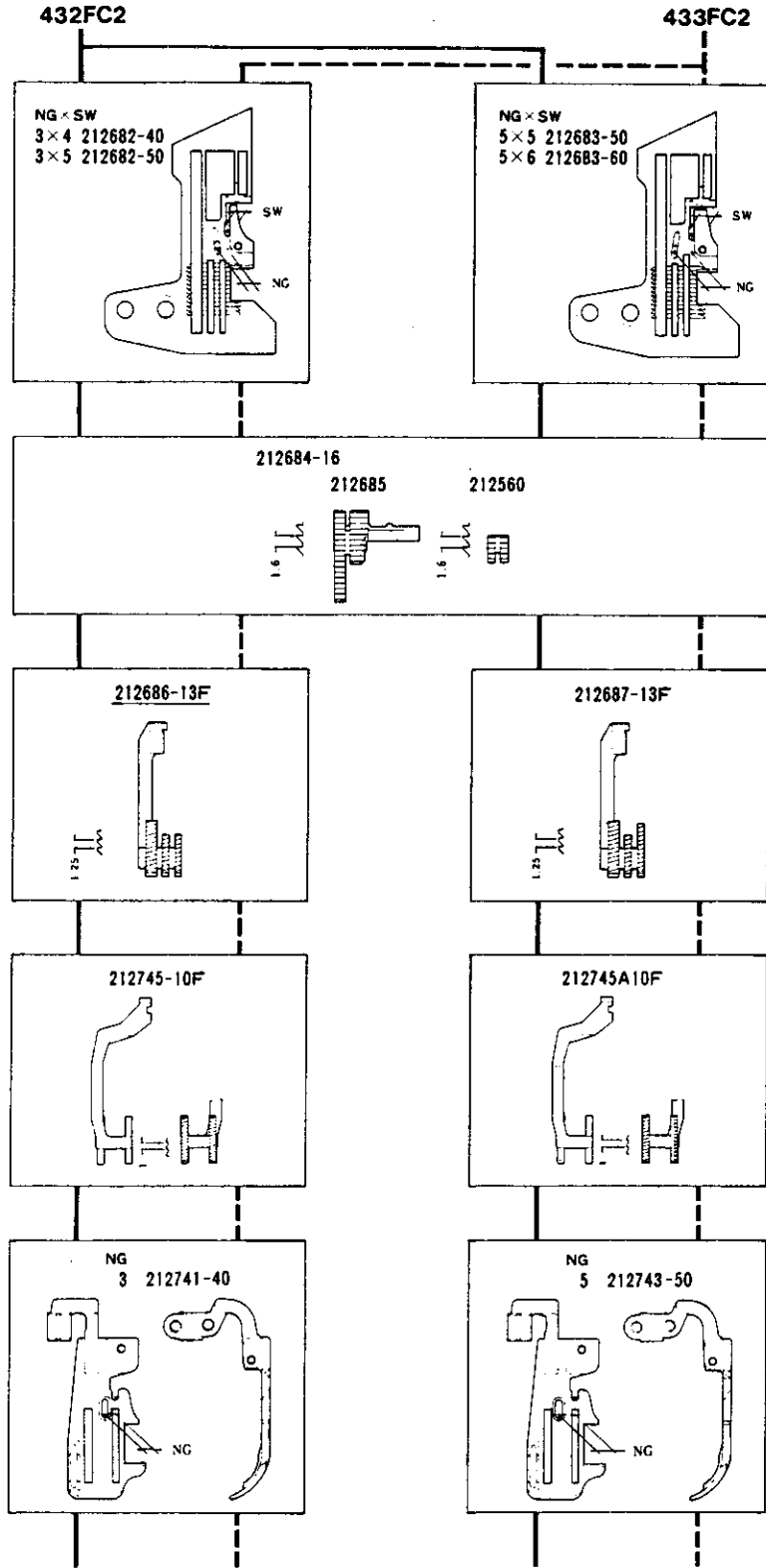


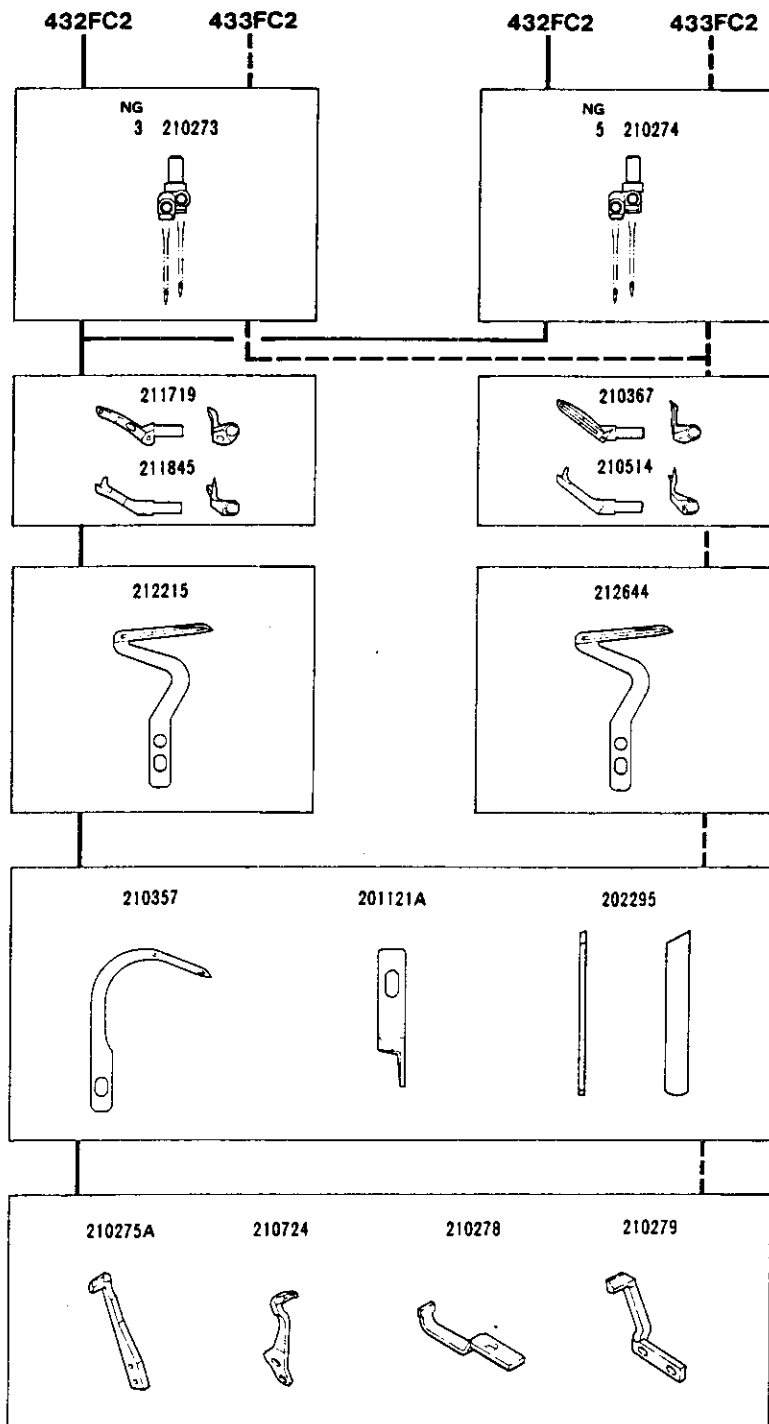


SEAMING










								MEMO	
9732-432FA2 /16-453 /15	3	3, 4, 5	3.8	0.7 ~ 1.5	0.7 ~ 2	EX	6,000		Pants, pajamas
	5	5, 6							
9732-433FA2 /16-353 /15	3	3, 4, 5	"	"	"	HI	"		Dress shirts, blouses (P.P. fabrics, silk)
	5	5, 6							

9732-432FC2/P1(P2)/16-453
 9732-433FC2/P1(P2)/16-333

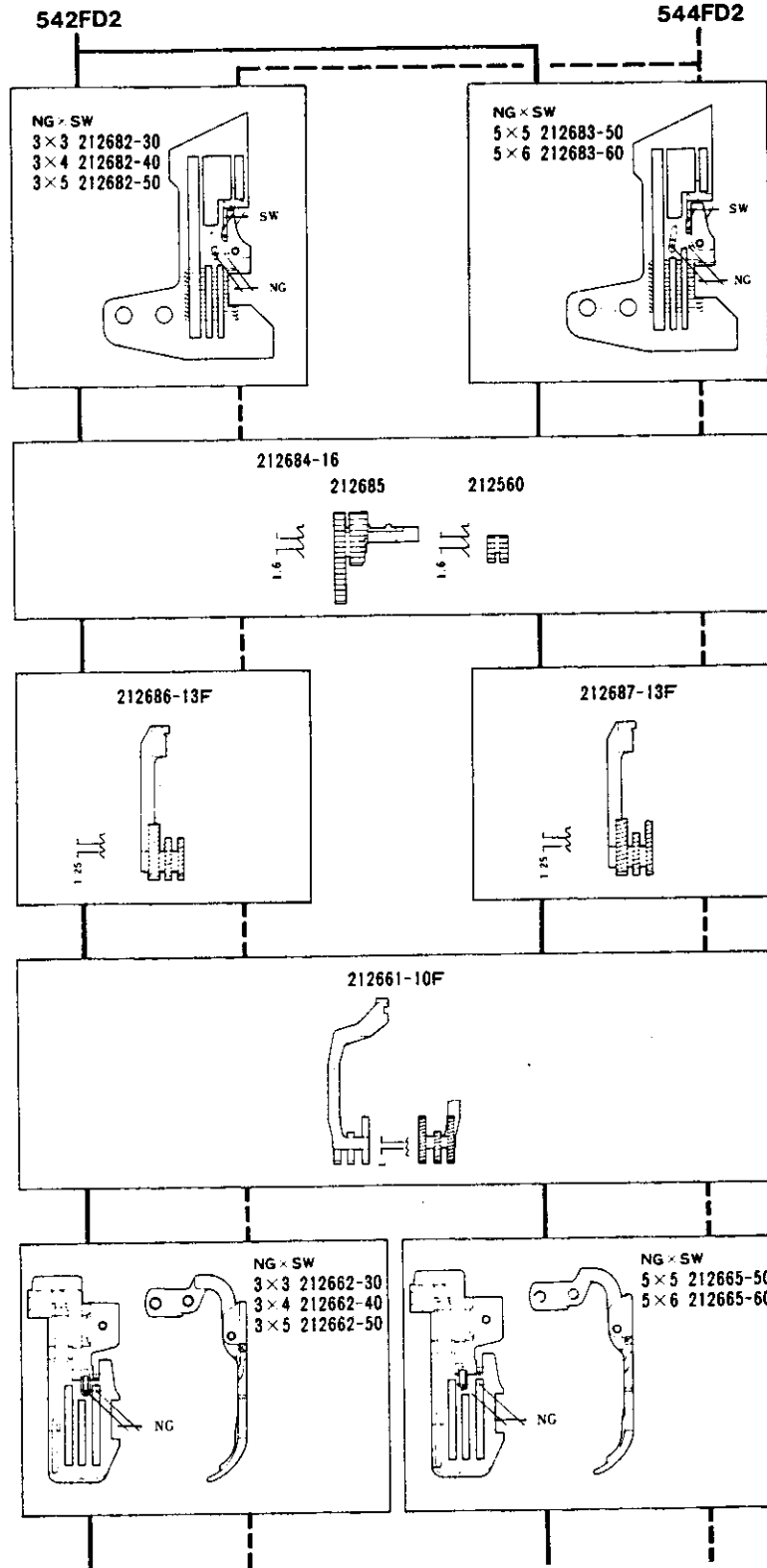


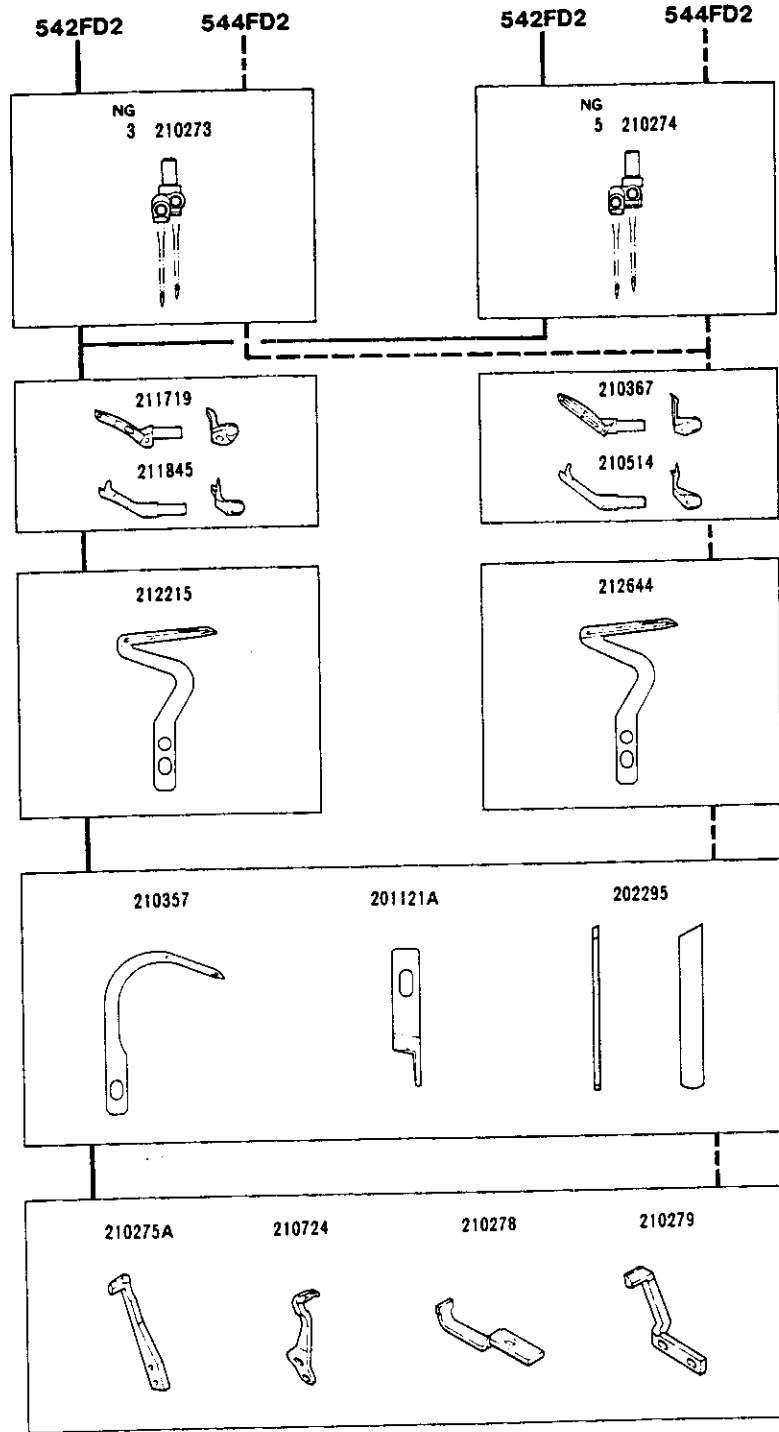


PIPING

								MEMO	
9732-432FC2/P1(P2) /16-453 /15-453	3	4,5	3.8	0.7~1.5	0.7~2	EX	6,000		Sportswear
	5	5,6							
9732-433FC2/P1(P2)/ /16-333 /15-333	3	4,5	"	"	"	HI	"		Lightweight jeans, Sportswear
	5	5,6							

9732-542FD2/16-453
 9732-544FD2/16-353



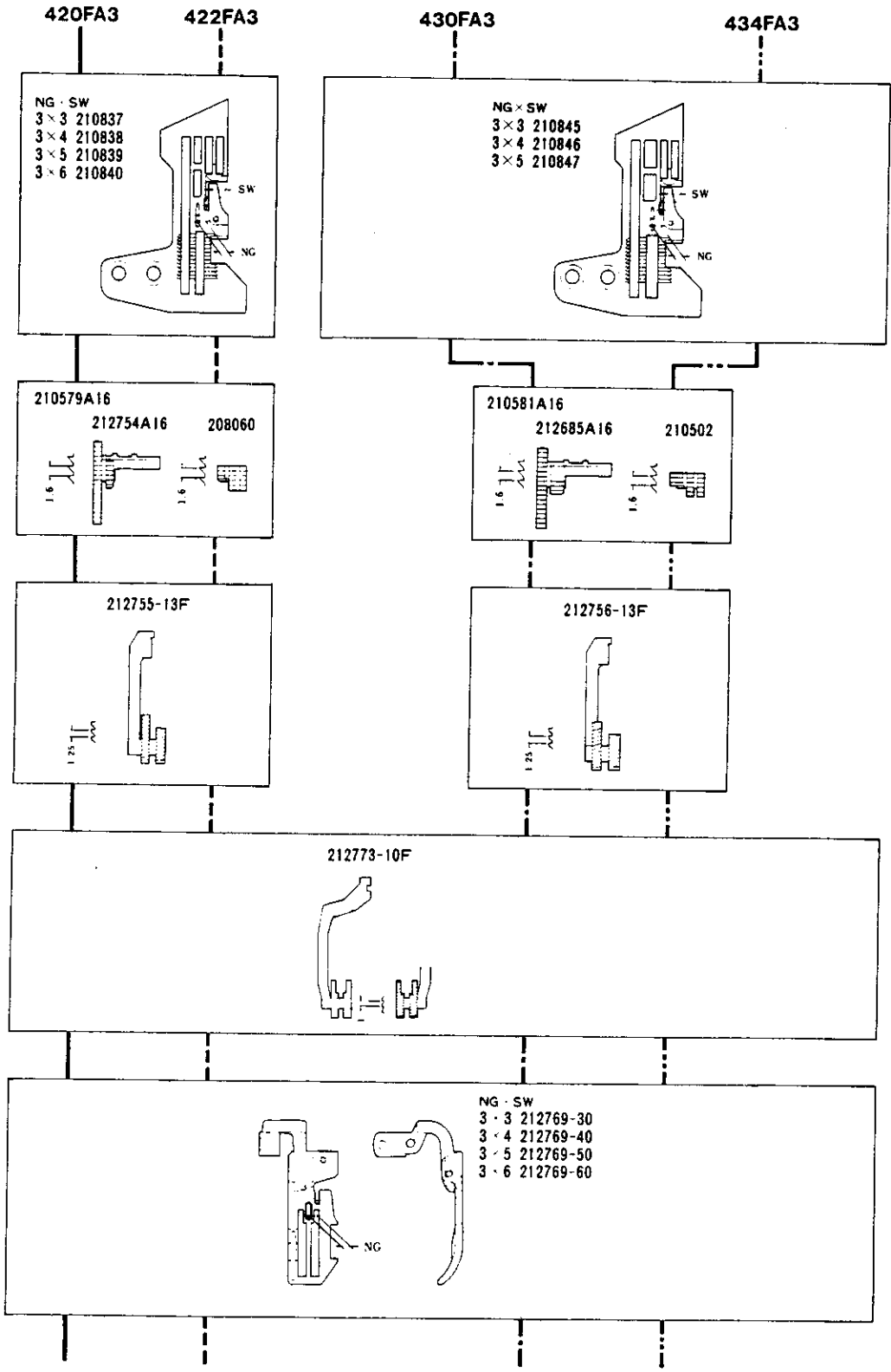


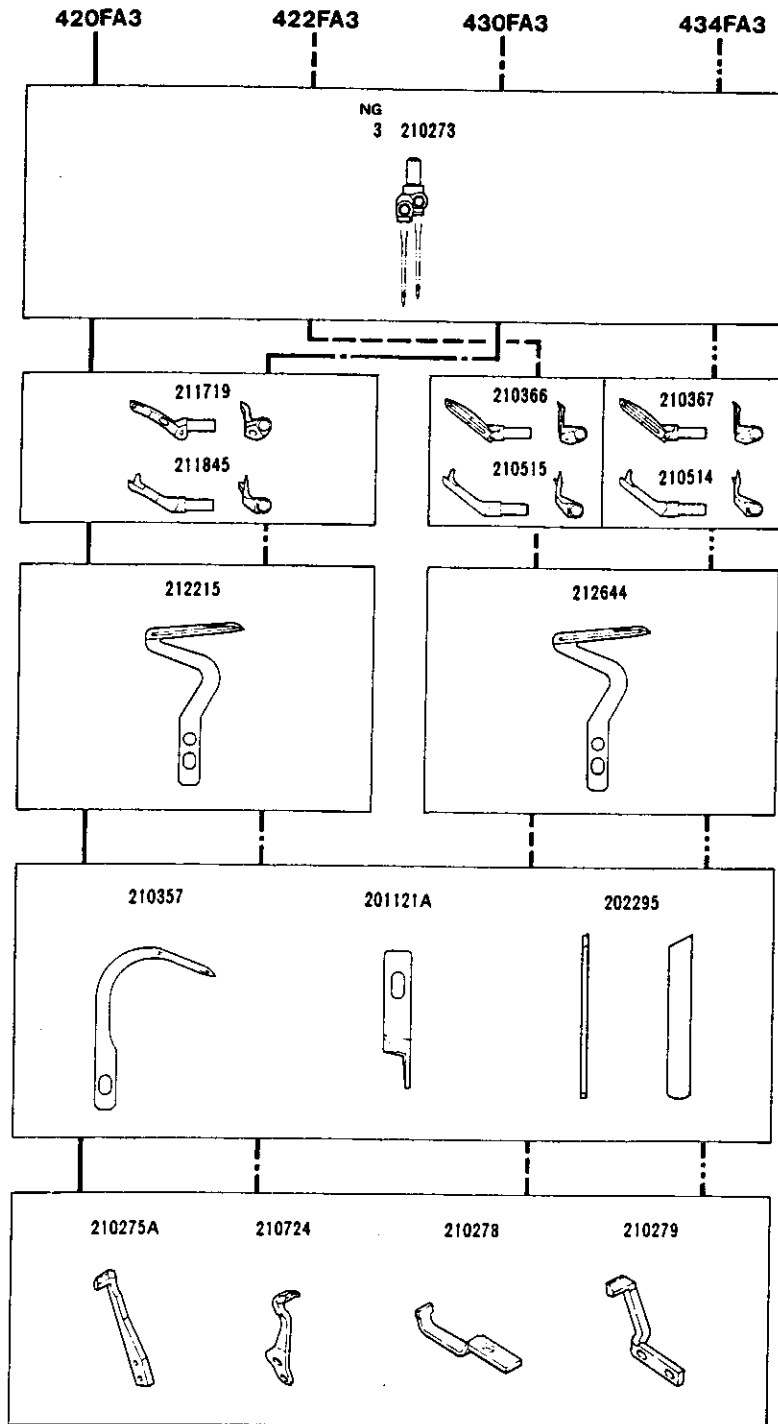
GATHERING

								MEMO	
9732-542FD2	3	3, 4, 5	3.8	0.7~1.9	0.7~2	EX	5, 500		Pillow cases, chair covers
/16-453	5	5, 6							
9732-544FD2	3	3, 4, 5	"	"	"	HI	"		Pillow cases, chair covers
/16-353	5	5, 6							




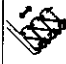

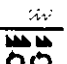

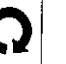

9732-420FA3/16-413
9732-422FA3/16-313

9732-430FA3/16-433
9732-434FA3/16-333





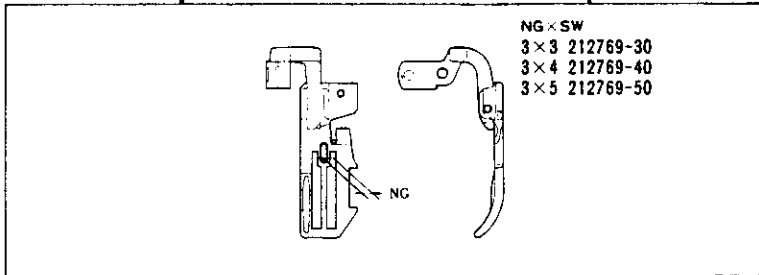
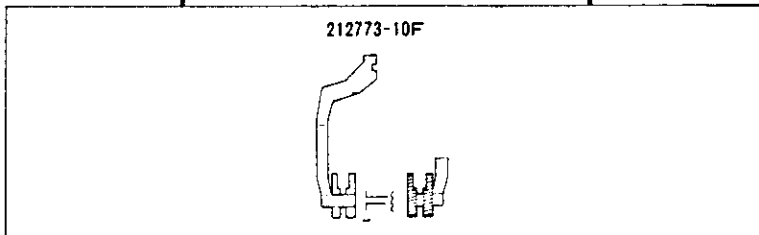
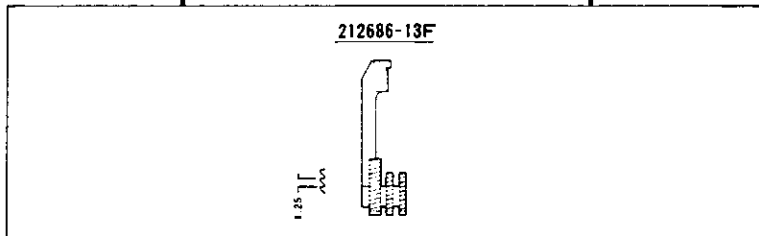
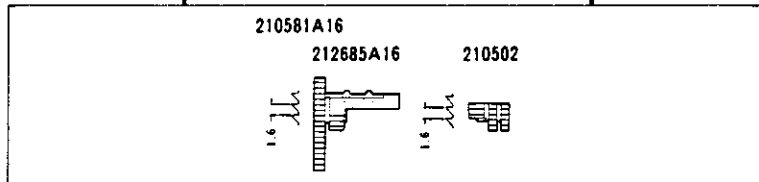
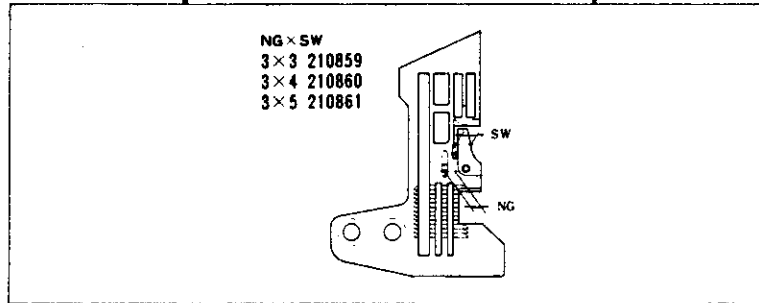
SEAMING

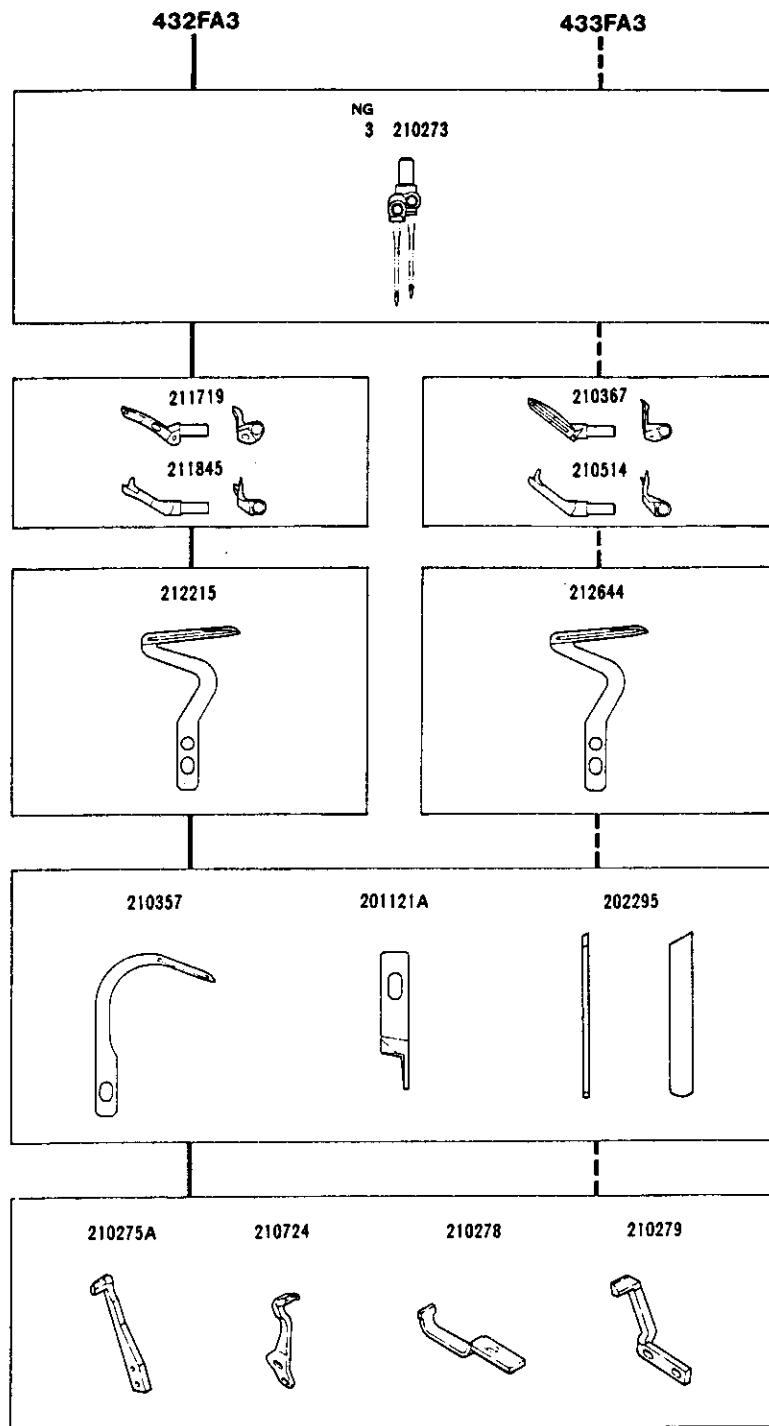
								MEMO	
9732-420FA3 /16-413 /15	3	3, 4, 5, 6	3.8	0.7~1.5	0.7~2	EX	6,000		Pants pajamas
9732-422FA3 /16-313 /15	3	3, 4, 5, 6	"	"	"	HI	"		Dress shirts, blouses (P.P. fabrics, georgette)
9732-430FA3 /16-433 /15	3	3, 4, 5	"	"	"	EX	"		Pants, pajamas
9732-434FA3 /16-333 /15	3	3, 4, 5	"	"	"	HI	"		Dress shirts, blouses (P.P. fabrics, georgette, silk)

9732-432FA3/16-453
9732-433FA3/16-353






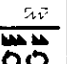


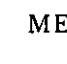

432FA3

433FA3





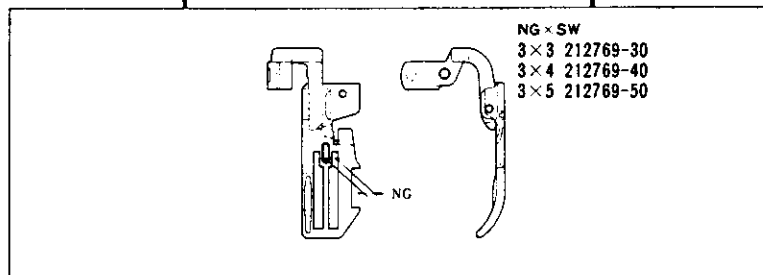
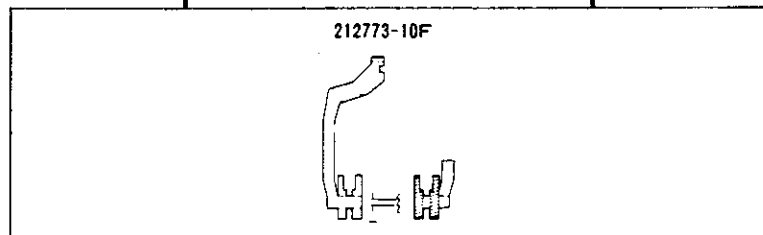
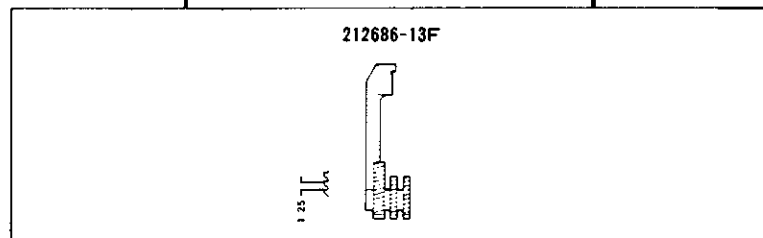
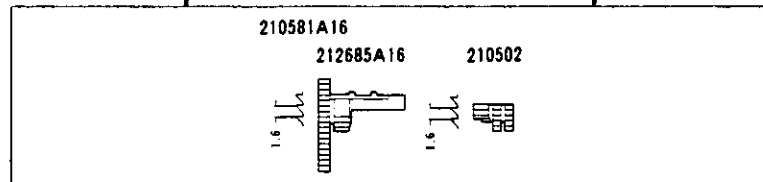
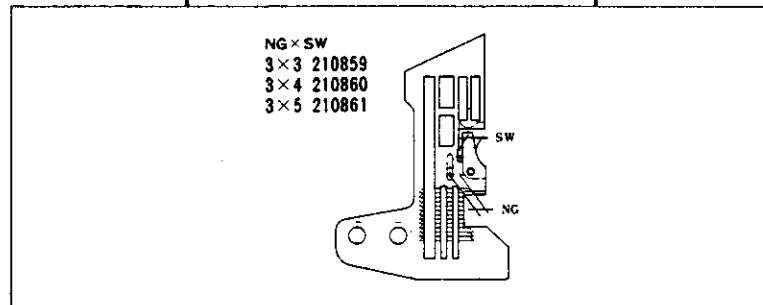
SEAMING

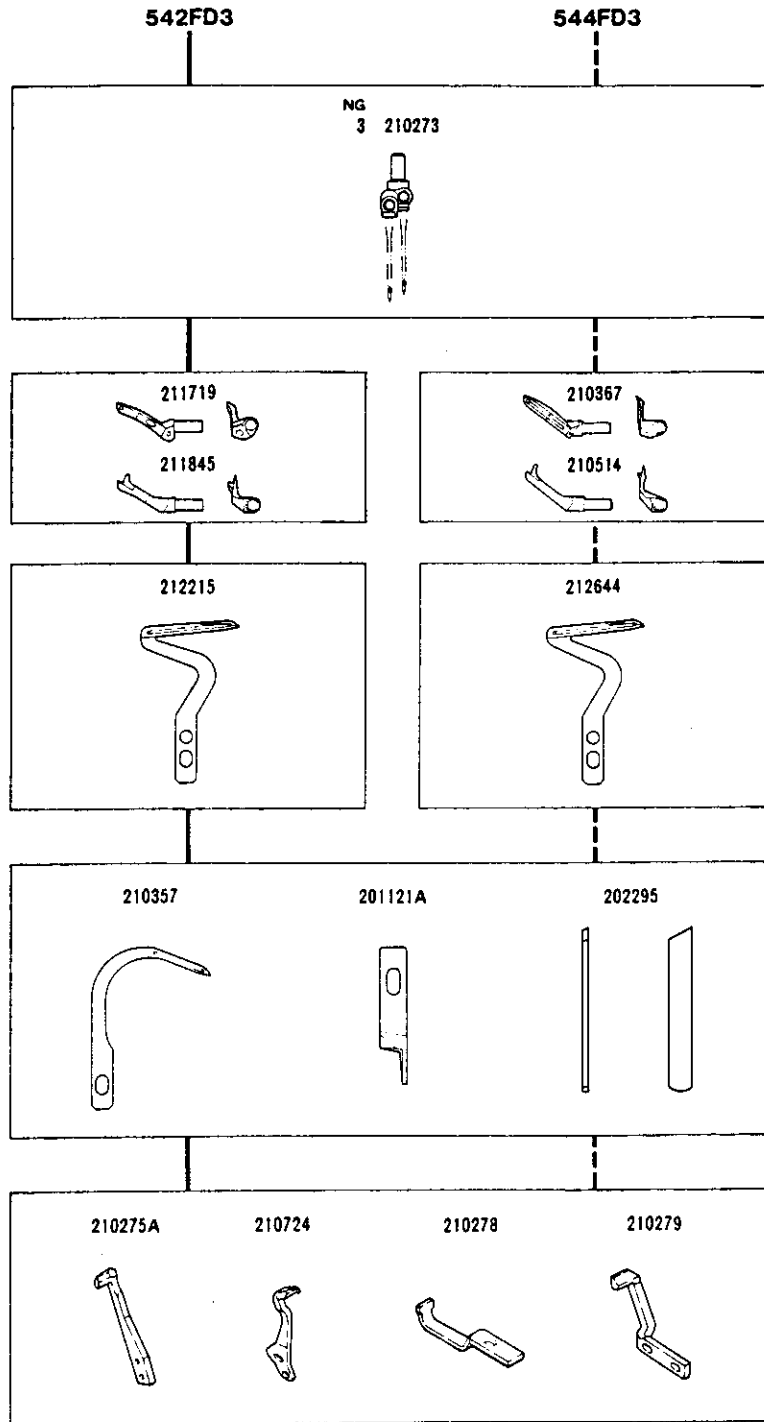
									MEMO	
9732-432FA3 /16-453 15	3	3, 4, 5	3.8	0.7~1.5	0.7~2	EX	6,000			Pants, pajamas
9732-433FA3 /16-353 15	3	3, 4, 5	"	"	"	HI	"			Dress shirts, blouses (P.P. fabrics, georgette, silk)

9732-542FD3/16-453
 9732-544FD3/16-353










542FD3

544FD3

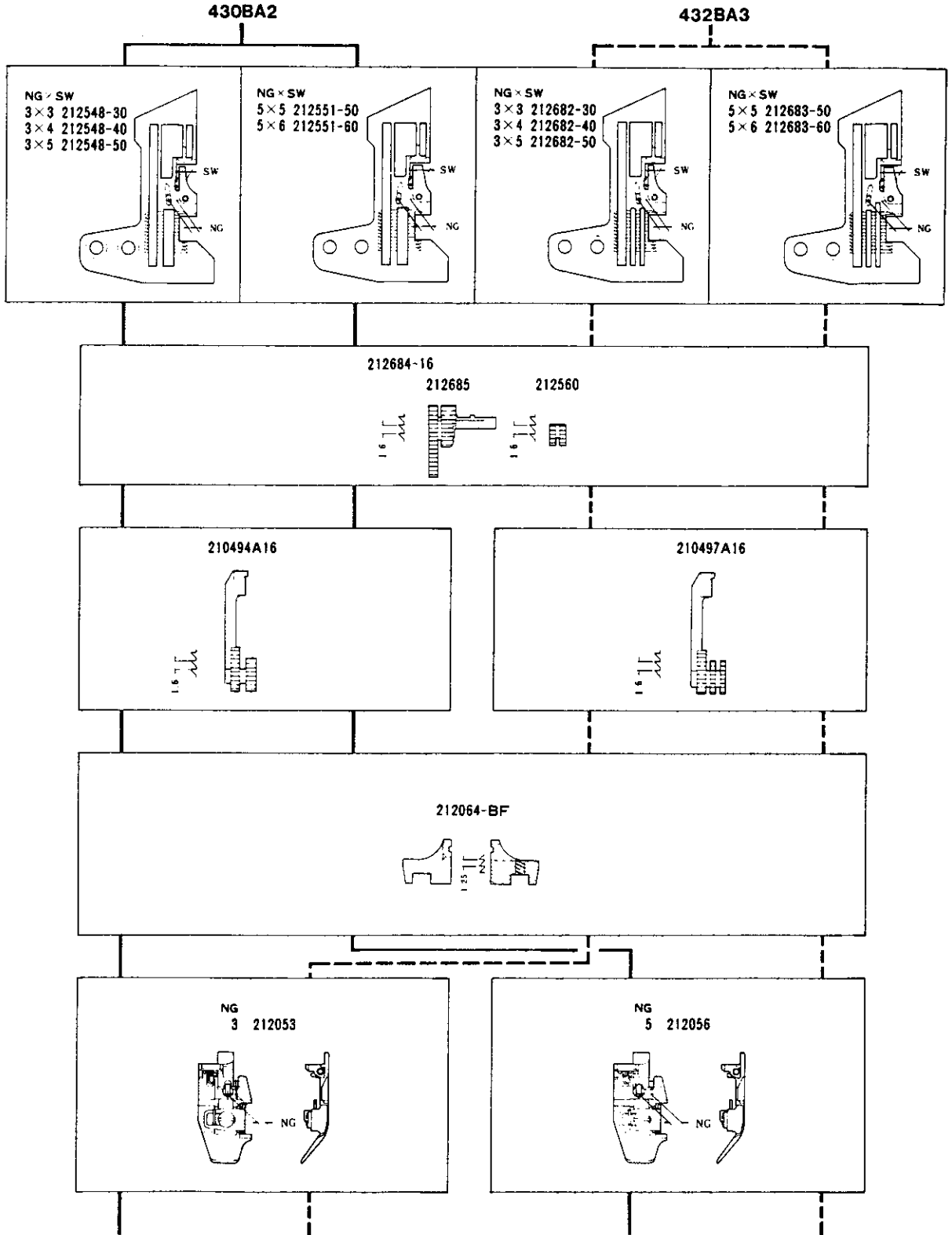


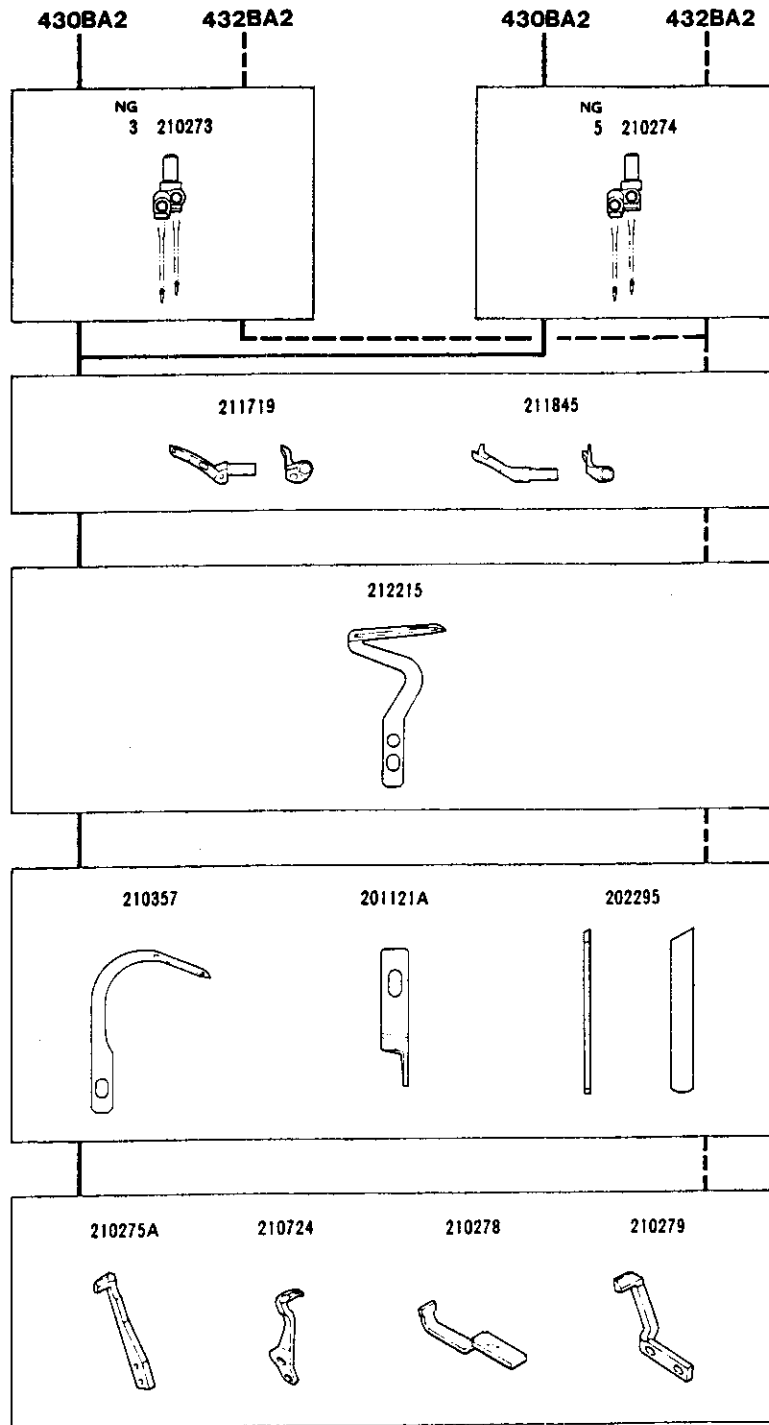


GATHERING






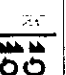



								MEMO	
9732-542FD3 /16-453 /15-453	3	3, 4, 5	3.8	0.7~1.9	0.7~2	EX	5, 500		Pillow cases, chair covers
9732-544FD3 /16-353 /15-353	3	3, 4, 5	"	"	"	HI	"		Blouses (georgette, silk)

9732-430BA2/16-433
 9732-432BA2/16-453

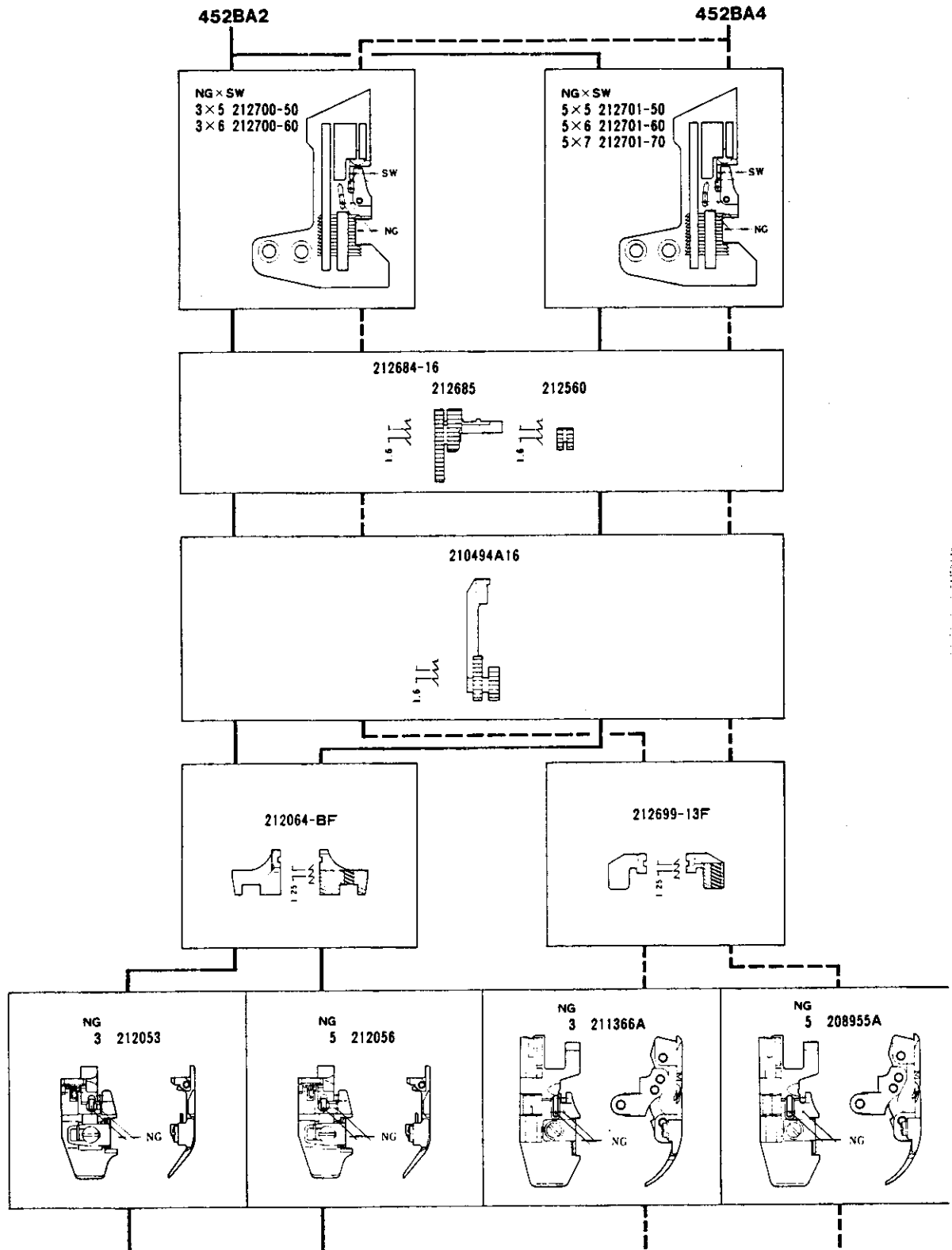


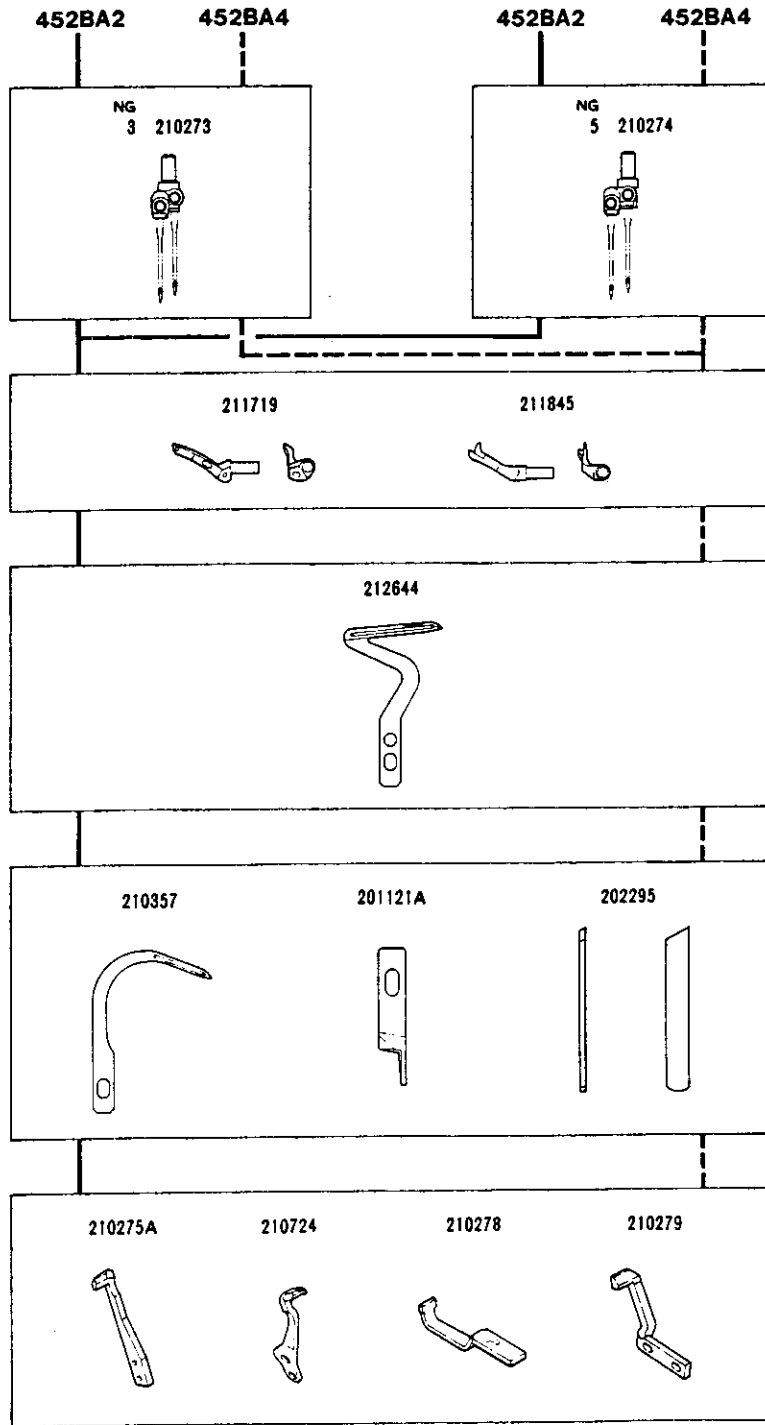


SEAMING






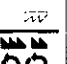



								MEMO	
9732-430BA2 /16-433 /15-433	3	3, 4, 5	3.8	0.7~1.5	0.7~2	EX	6,000		Working wear, fashion pants
	5	5, 6							
9732-432BA2 /16-453 /15-453	3	3, 4, 5	"	"	"	HI	"		Working wsar, fashion pants
	5	5, 6							

9732-452BA2/16-433
 9732-452BA4/16-433

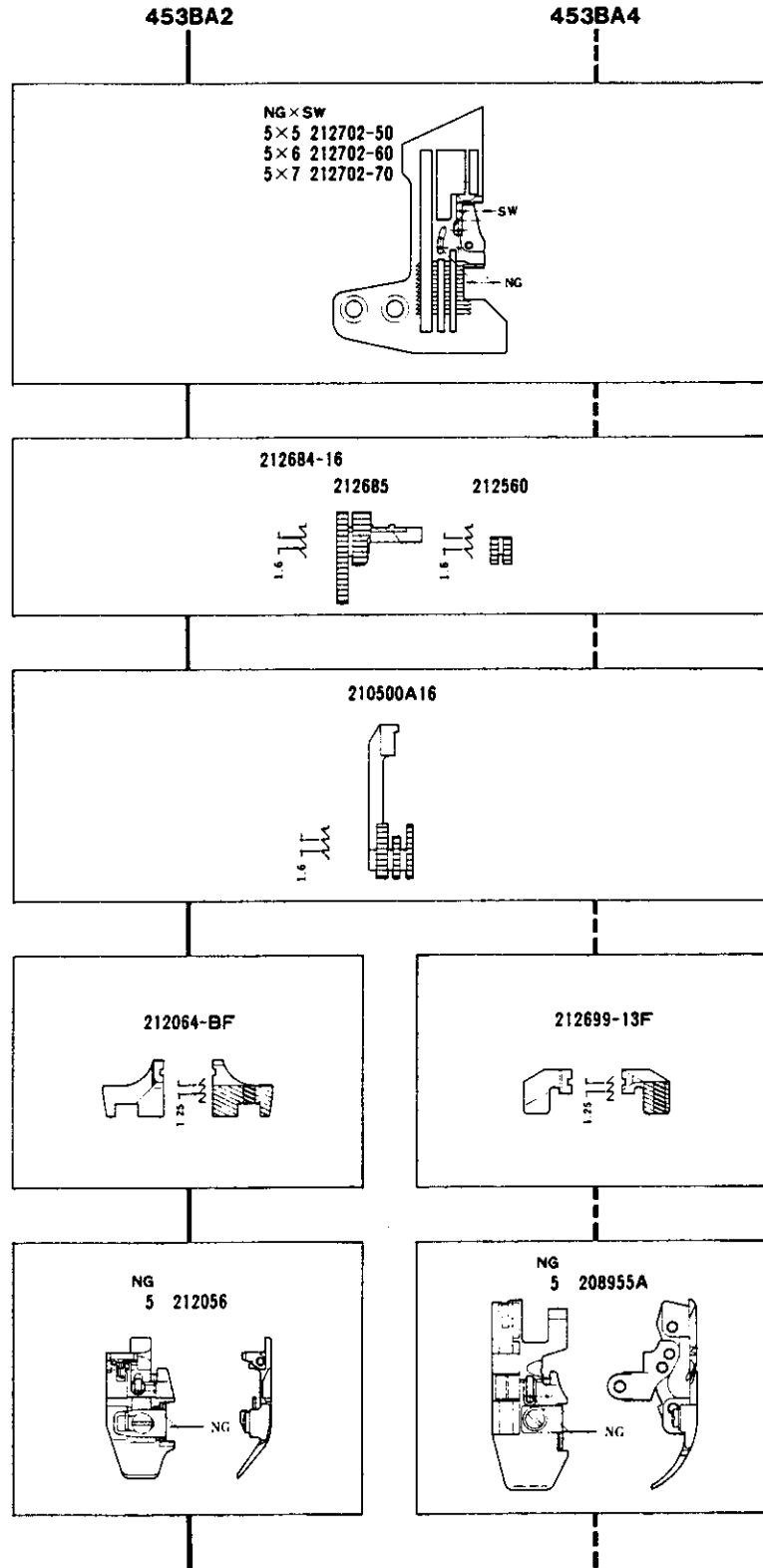


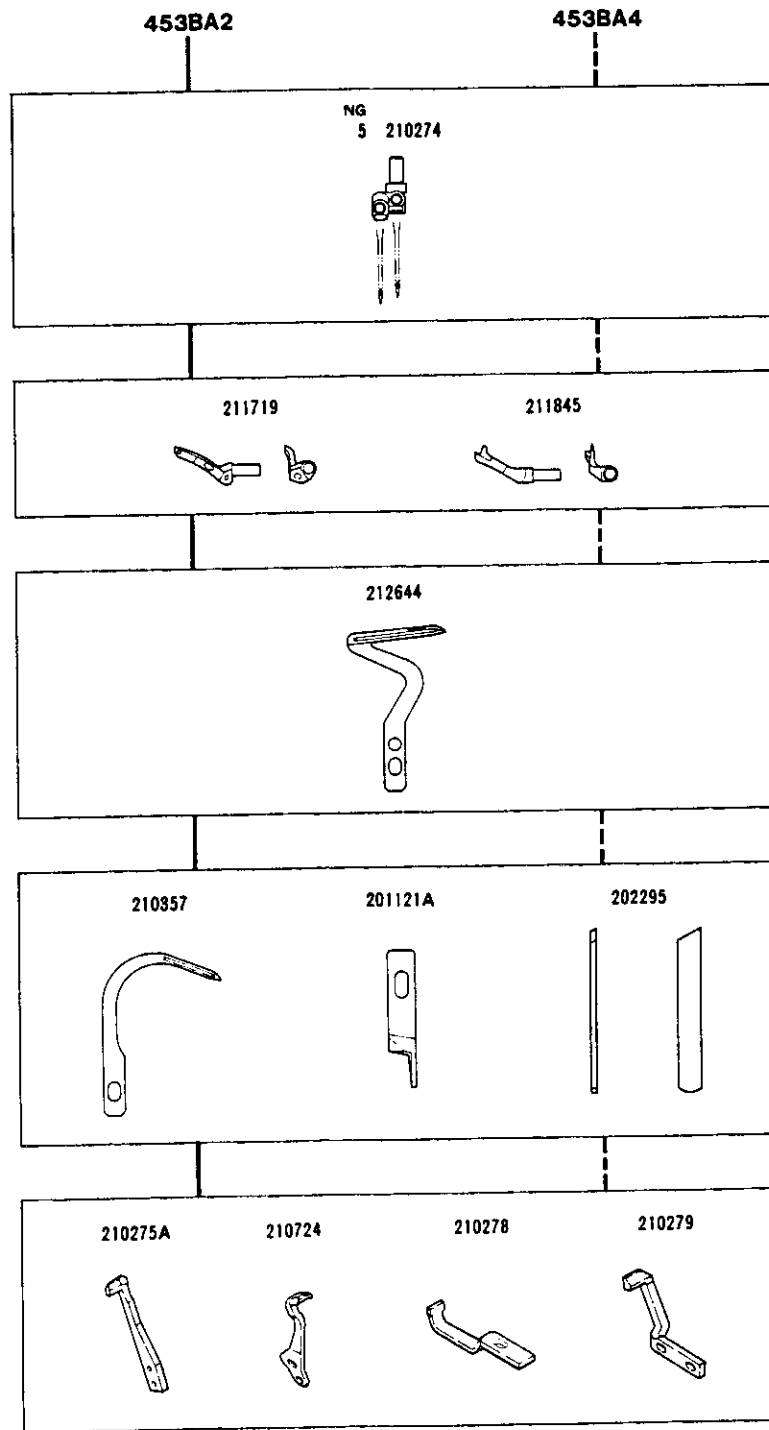


SEAMING




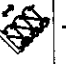
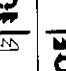


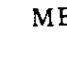

								MEMO	
9732-452BA2 /16-433 15	3	5, 6	3.8	0.7~1.5	0.7~2	EX	5, 500		Working wear, jeans
	5	5, 6, 7							
9732-452BA4 /16-433 15	3	5, 6	"	"	"	"	"		Working wear, jeans (Tractor foot)
	5	5, 6, 7							

9732-453BA2/16-453
 9732-453BA4/16-453

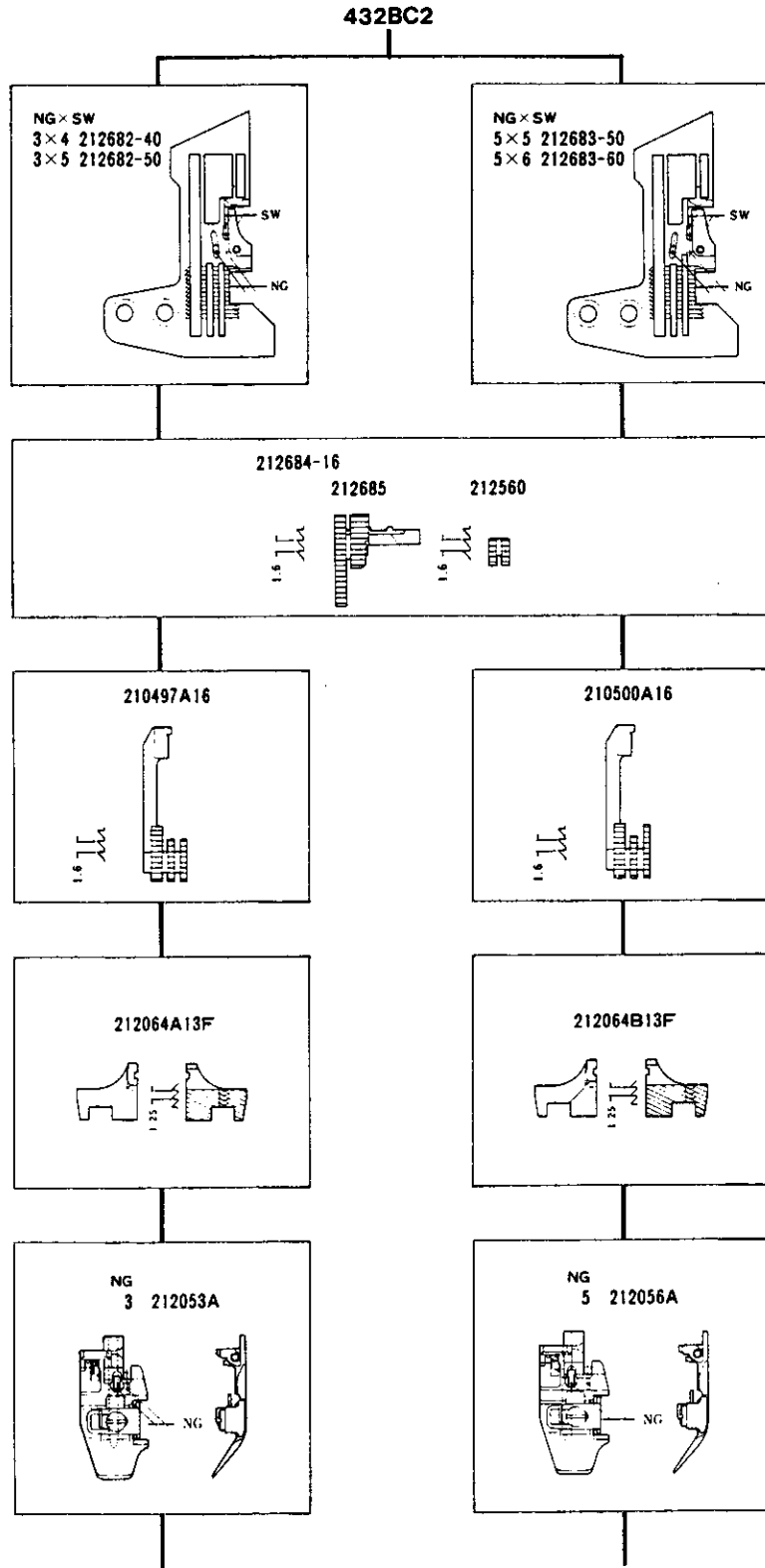


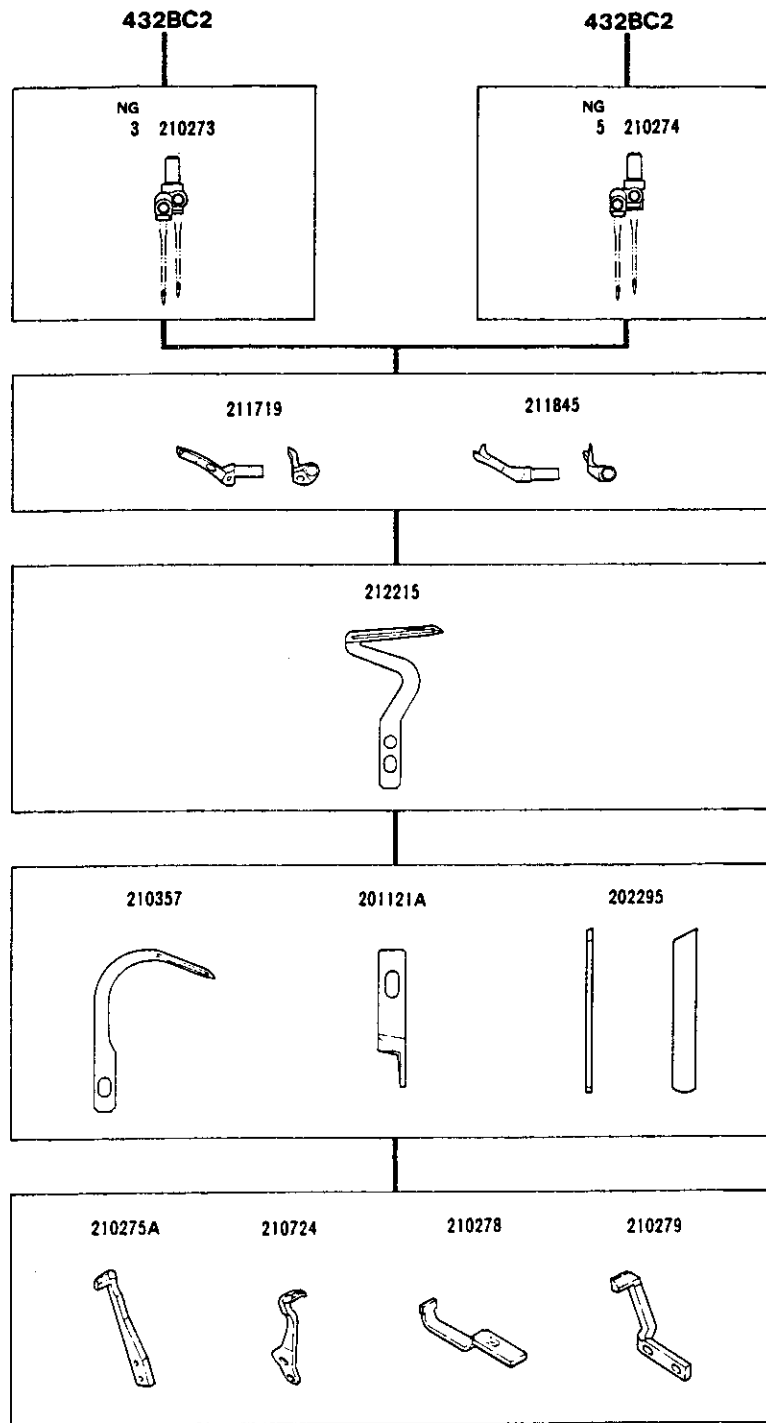


SEAMING










								MEMO	
9732-453BA2 /16-453 /15	5	5, 6, 7	3.8	0.7-1.5	0.7-2	EX	5, 500		Working wear, jeans
9732-453BA4 /16-453 /15	5	5, 6, 7	"	"	"	"	"		Working wear, jeans (Tractor foot)

9732-432BC2/P1(P2)/16-453

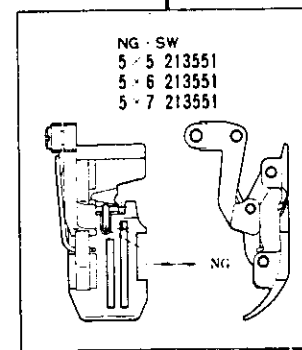
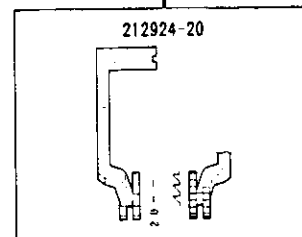
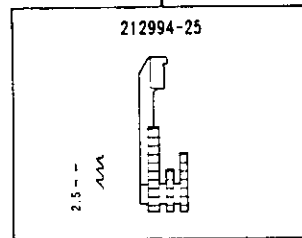
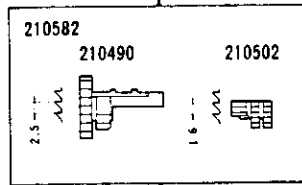
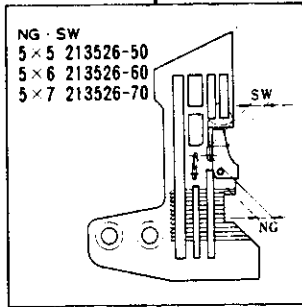




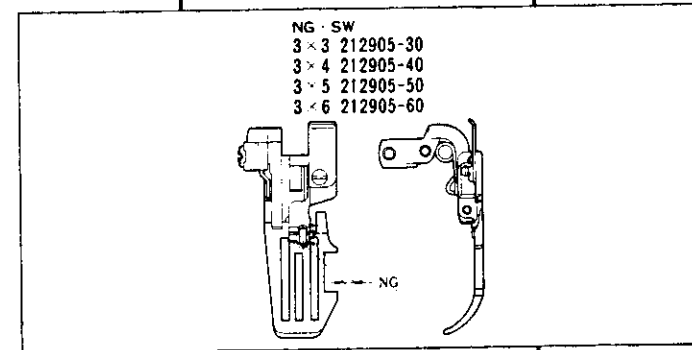
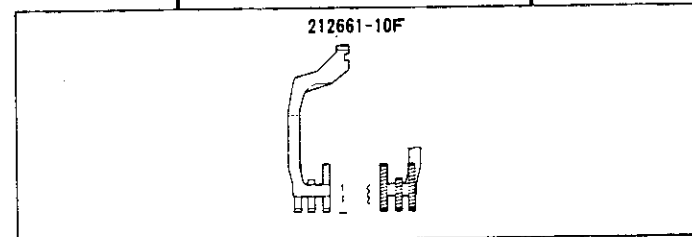
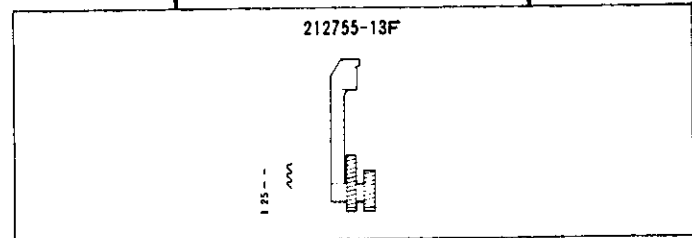
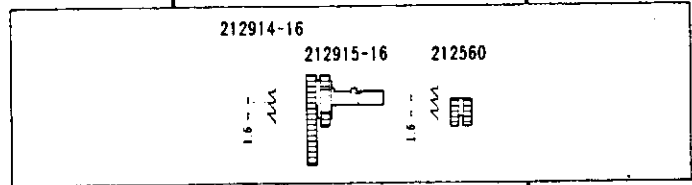
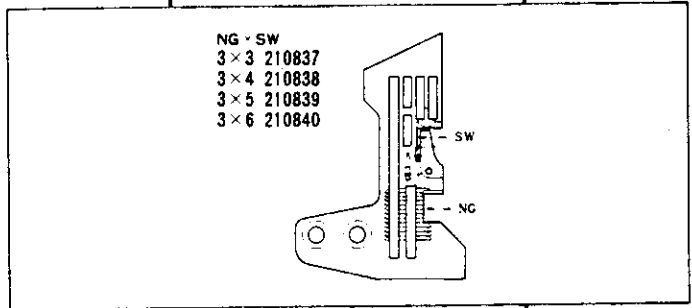
PIPING

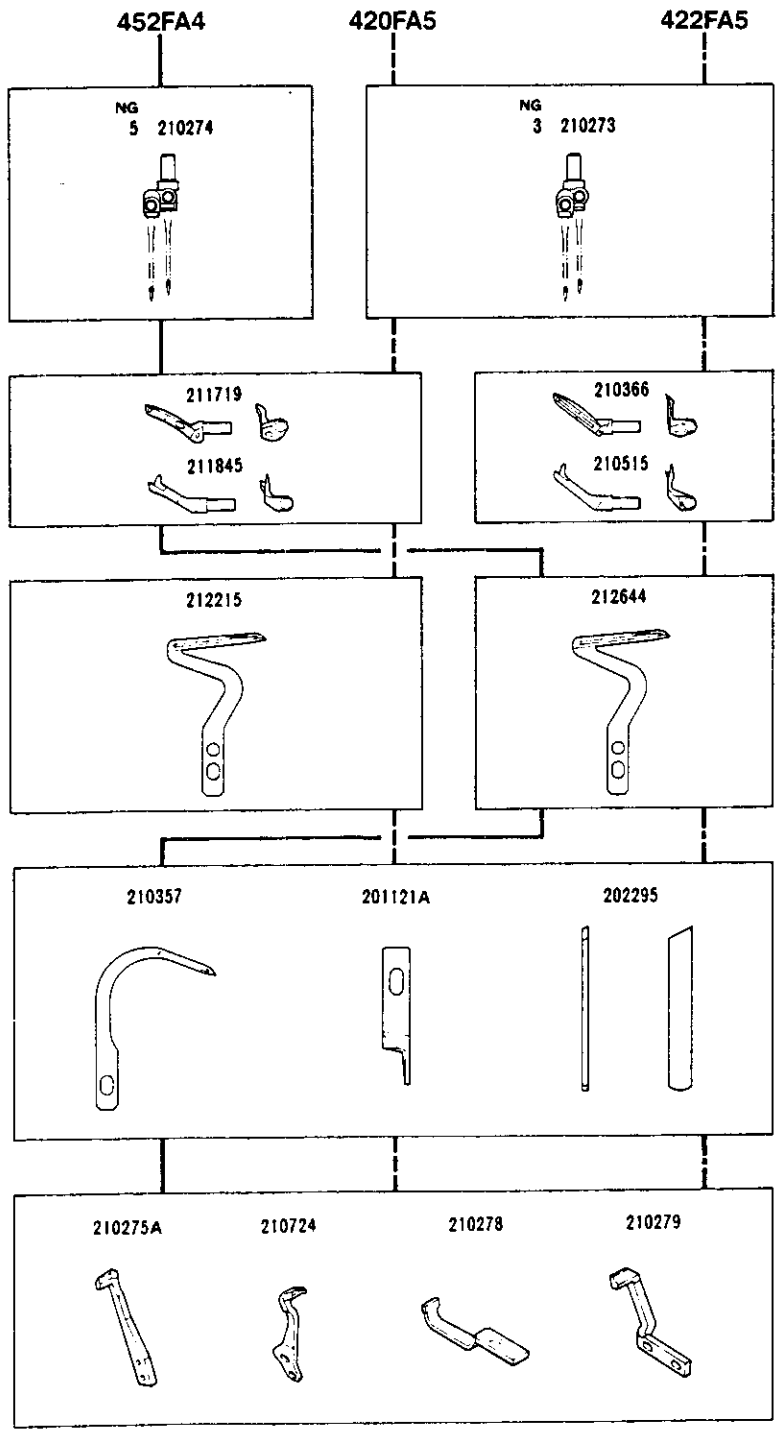
 9732-432BC2/P1(P2) /16-453 15-453	 3 5	 4, 5 5, 6	 3.8	 0.7 ~ 1.5	 0.7 ~ 2	 EX	 6,000	MEMO	 Sportswear Jeans

452FA4












420FA5

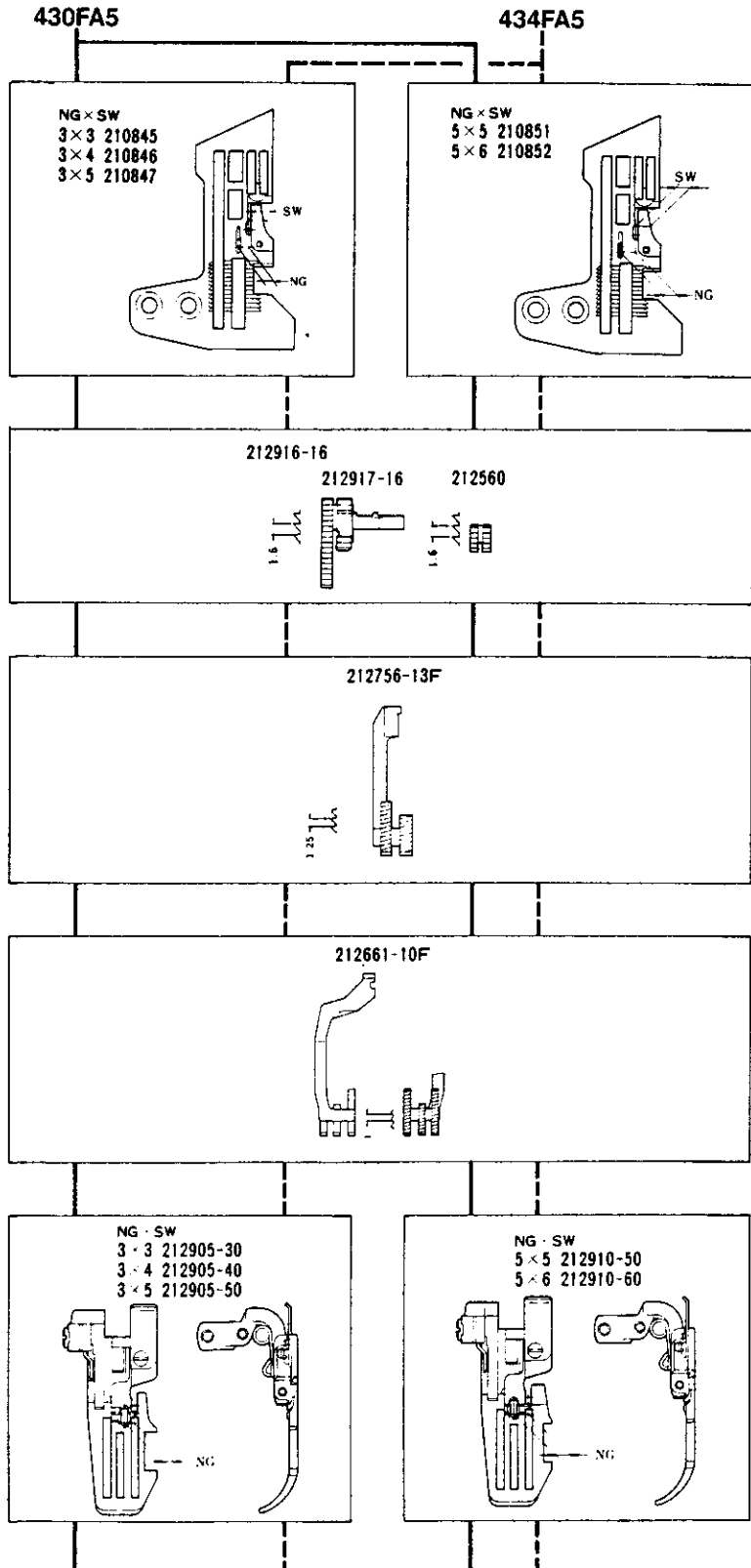


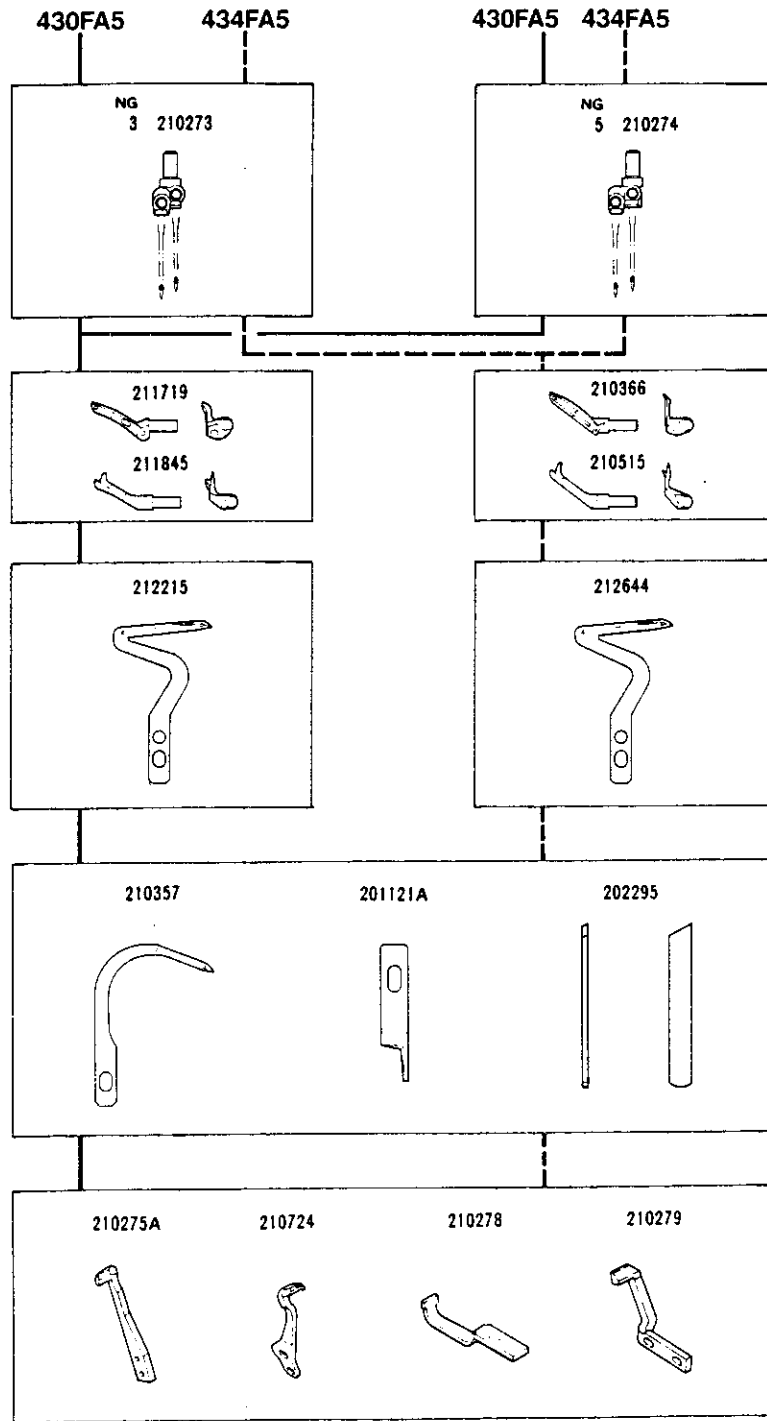


SEAMING





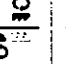
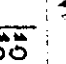

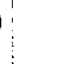

	 mm	 mm	 mm	 mm	 mm	 mm	 s.p.m.	MEMO	
9732-452FA4 /16-455 15	5	5, 6, 7	3.8	0.7~1.5	0.7~2	EX	5,500		Jeans
9732-420FA5 /16-413 15	3	3, 4, 5, 6	“	“	“	EX	6,000		Pants, pajamas
9732-422FA5 /16-313 15	3	3, 4, 5, 6	“	“	“	HI	“		Dress shirts, casual wear

9732-430FA5/16-433
 9732-434FA5/16-333

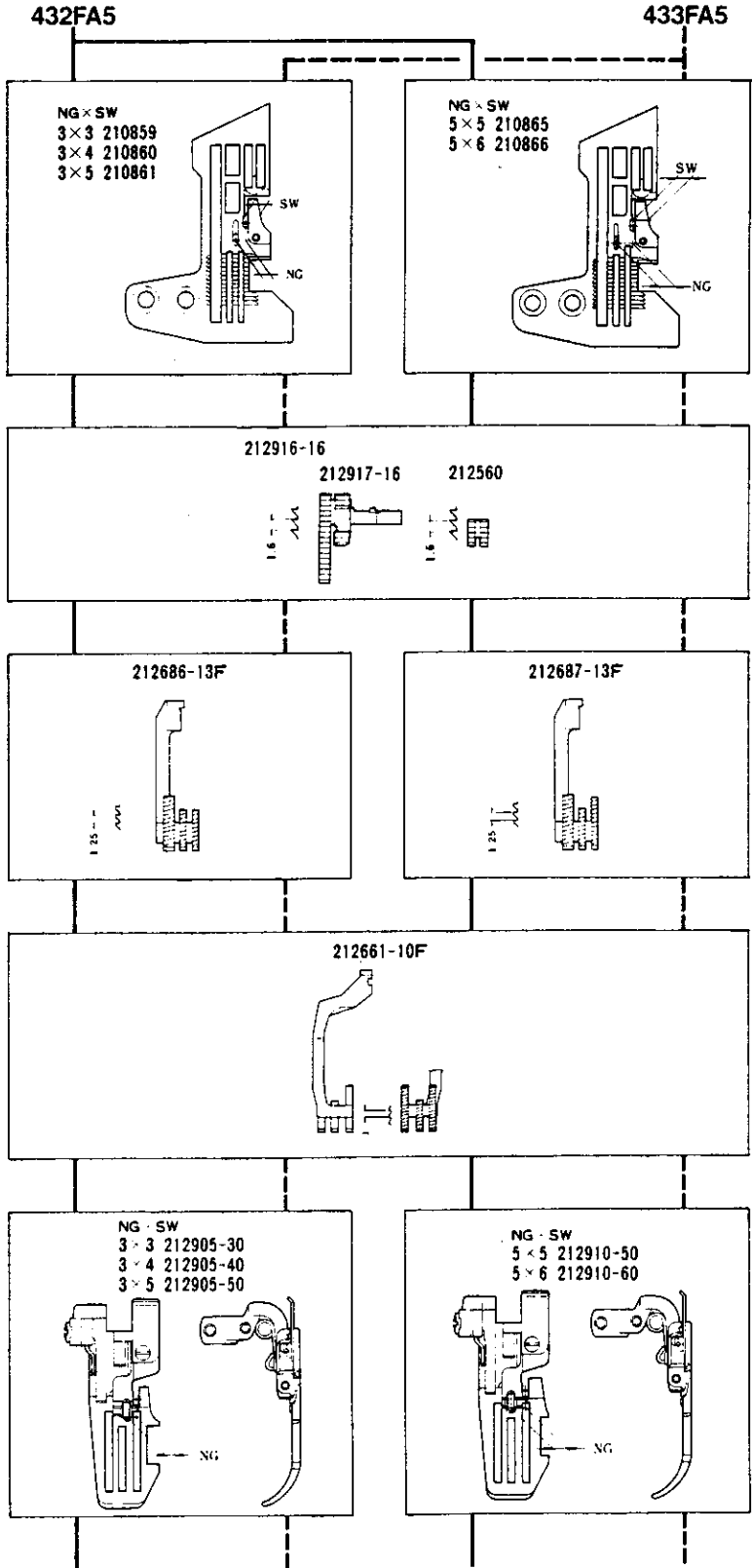


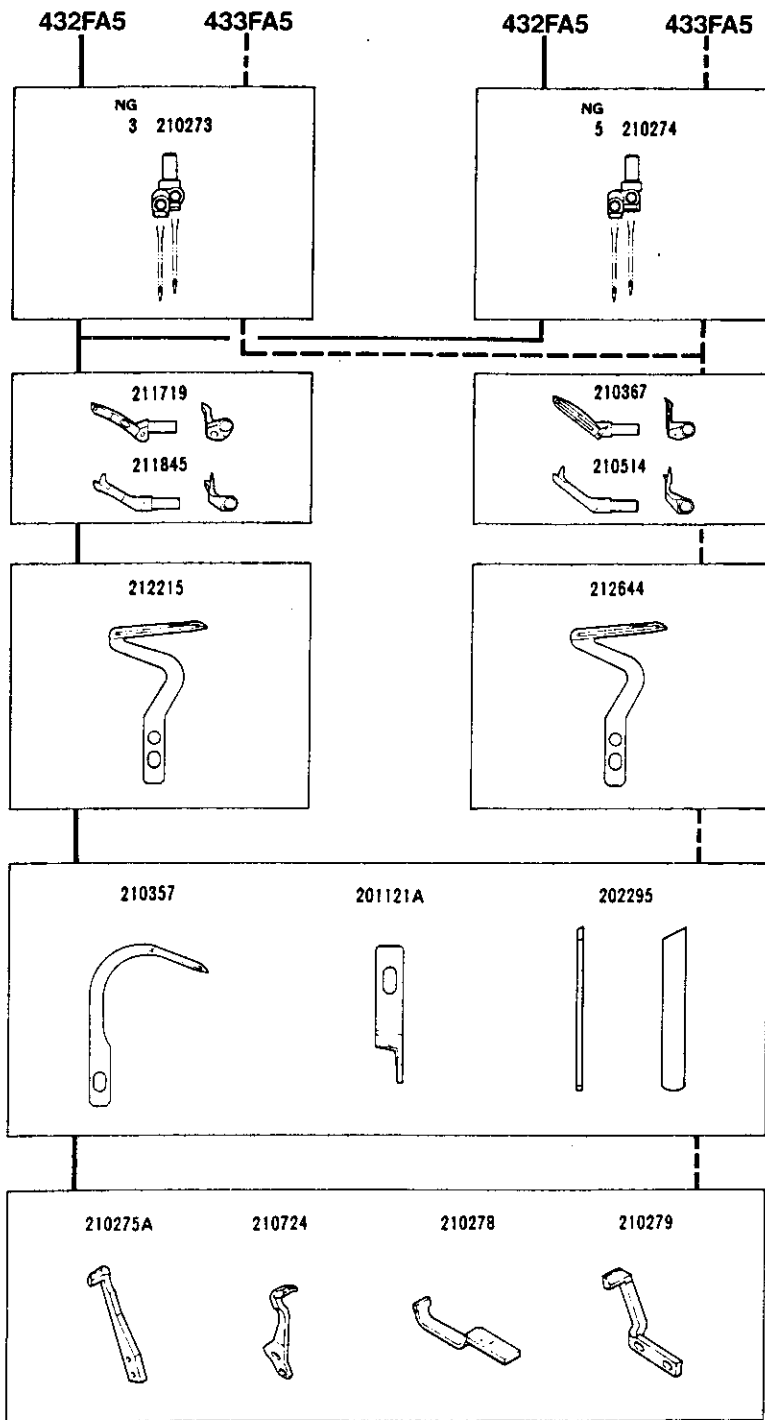


SEAMING










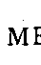

	 mm	 mm	 mm	 mm	 mm	 mm	 mm	MEMO	
9732-430FA5 /16-433 /15-433	3	3,4,5	3.8	0.7~1.5	0.7~2	EX	6,000		Lightweight jeans. Working wear, fashion pants
	5	5,6							
9732-434FA5 /16-333 /15-333	3	3,4,5	"	"	"	HI	"		Dress shirts, blouses (PP fabrics, georgette, silk)
	5	5,6							

9732-432FA5/16-453
 9732-433FA5/16-353





SEAMING

	 mm	 mm	 mm	 mm	 mm	 mm	 mm	 mm	 mm	MEMO	
9732-432FA5 /16-453 15-453	3	3,4,5	3.8	0.7~1.5	0.7~2	EX	6,000				Pants, pajamas
	5	5,6									
9732-433FA5 /16-353 15-353	3	3,4,5	"	"	"	HI	"				Dress shirts, blouses (P.P. fabrics, georgette, silk)
	5	5,6									

9732-355FA5/53
9732-359FA5/53

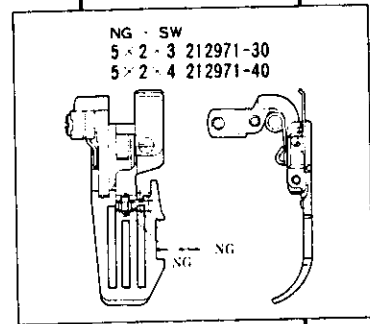
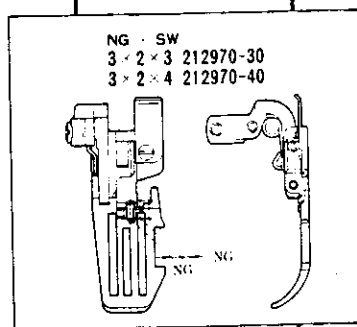
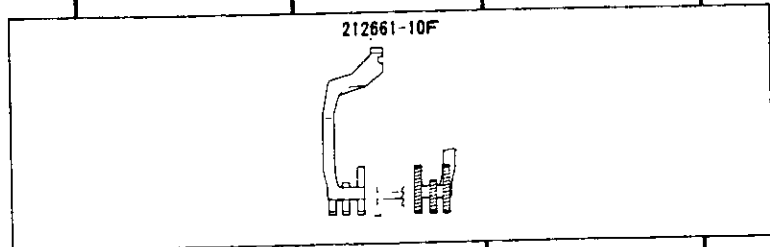
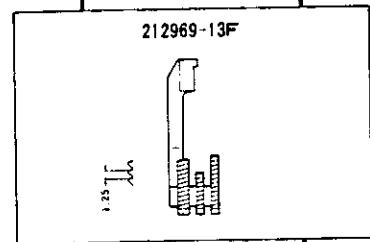
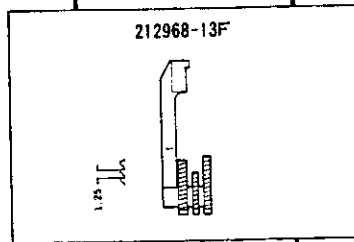
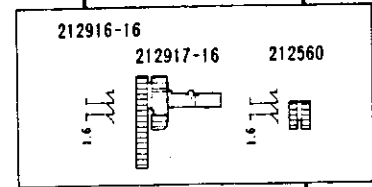
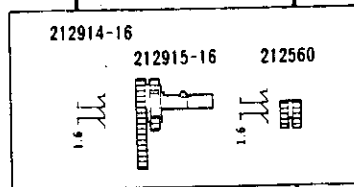
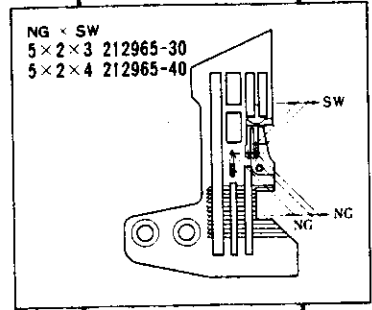
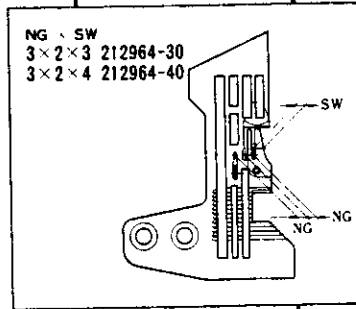
9732-555FA5/53
9732-559FA5/53

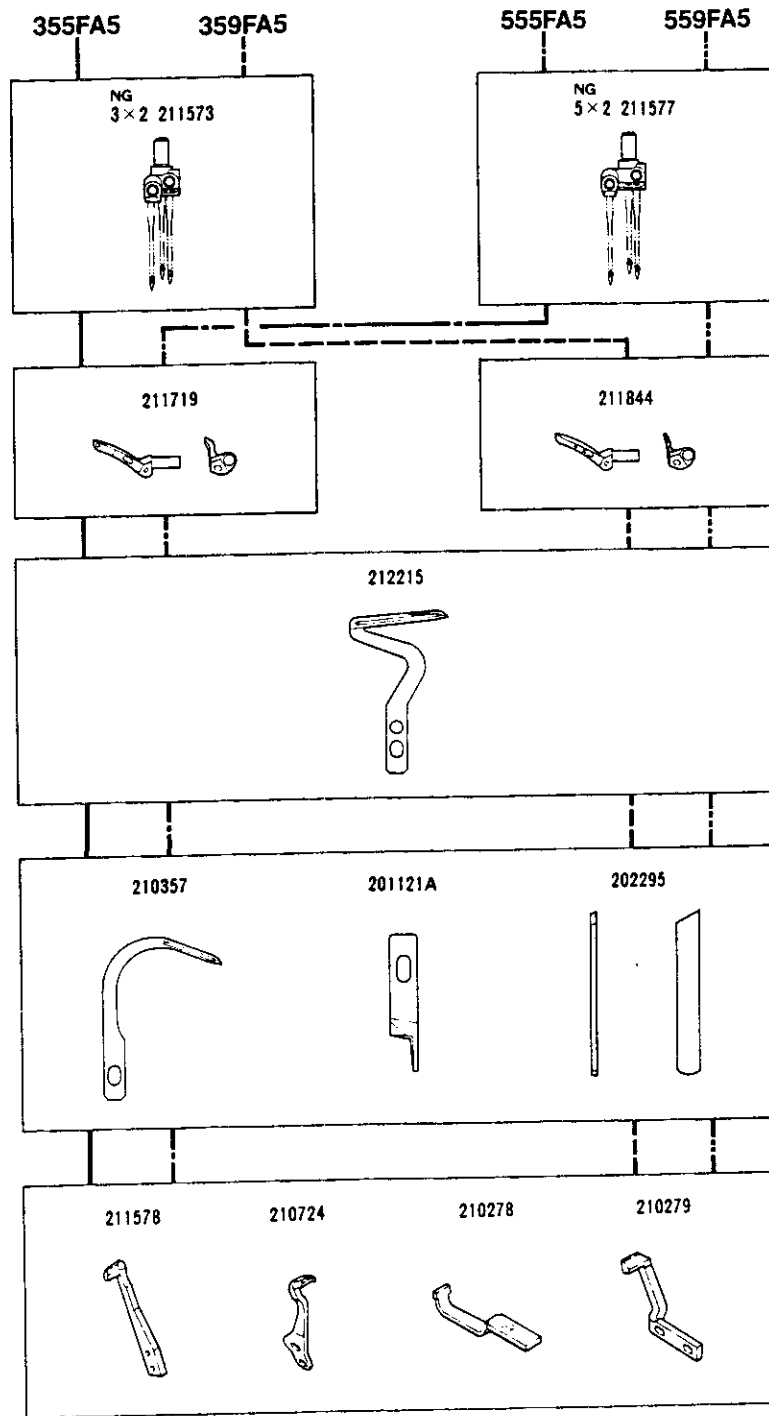
355FA5

359FA5





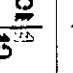
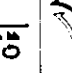

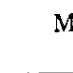

555FA5

559FA5



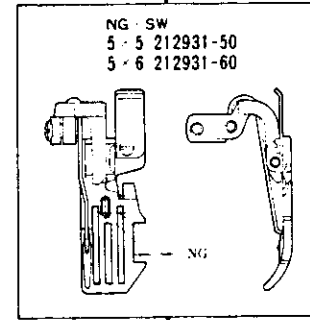
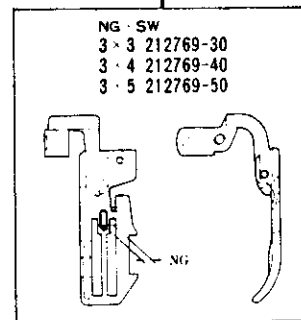
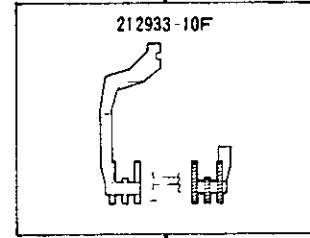
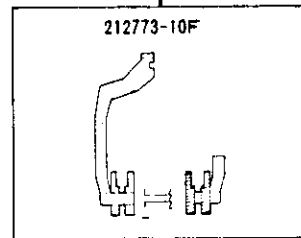
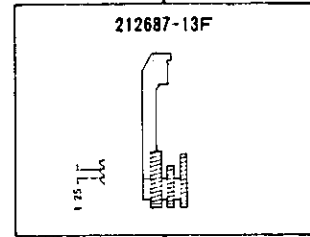
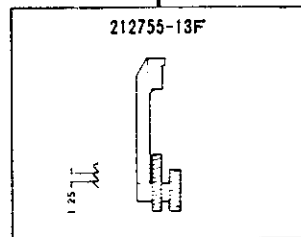
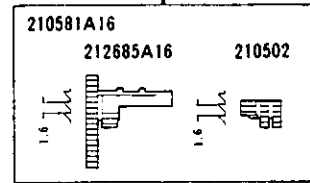
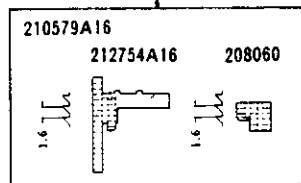
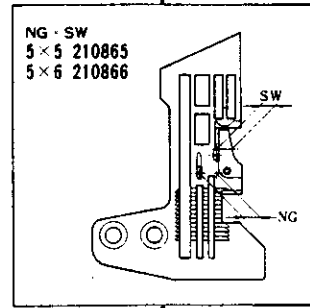
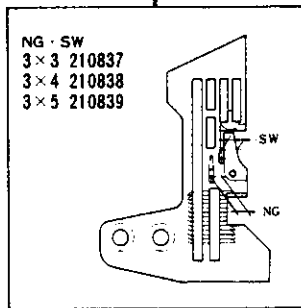


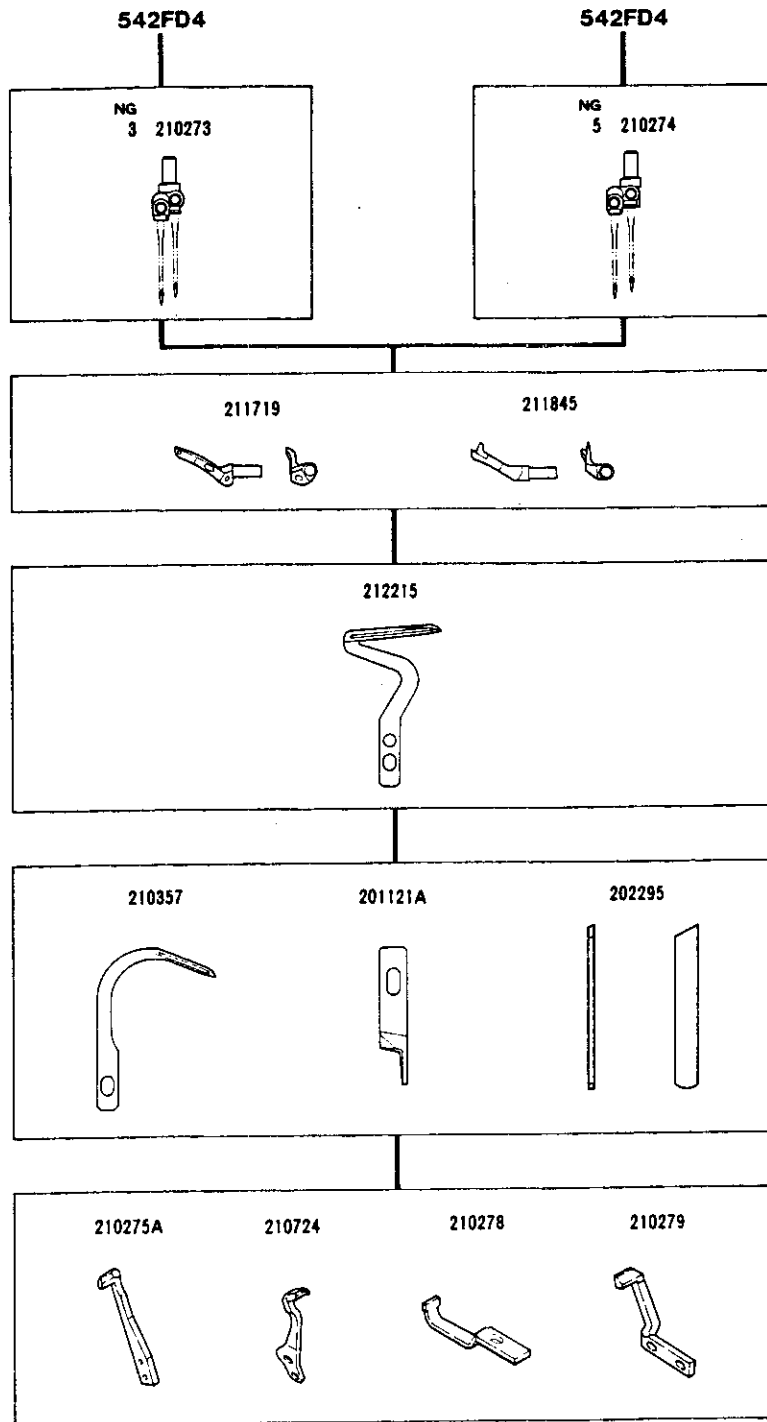
SEAMING

	 mm	 mm	 mm				 s.p.m.	MEMO	
9732-355FA5 /53	3	2	3,4	3,8	0.7~1.5	0.7~2	EX	6,000	Sweater
9732-359FA5 /53	3	2	3,4	"	"	"	"	"	Sweater
9732-555FA5 /53	5	2	3,4	"	"	"	"	"	Jeans
9732-559FA5 /53	5	2	3,4	"	"	"	"	"	Jeans





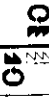
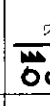



9732-542FD4/P1(P2)/16-453

542FD4

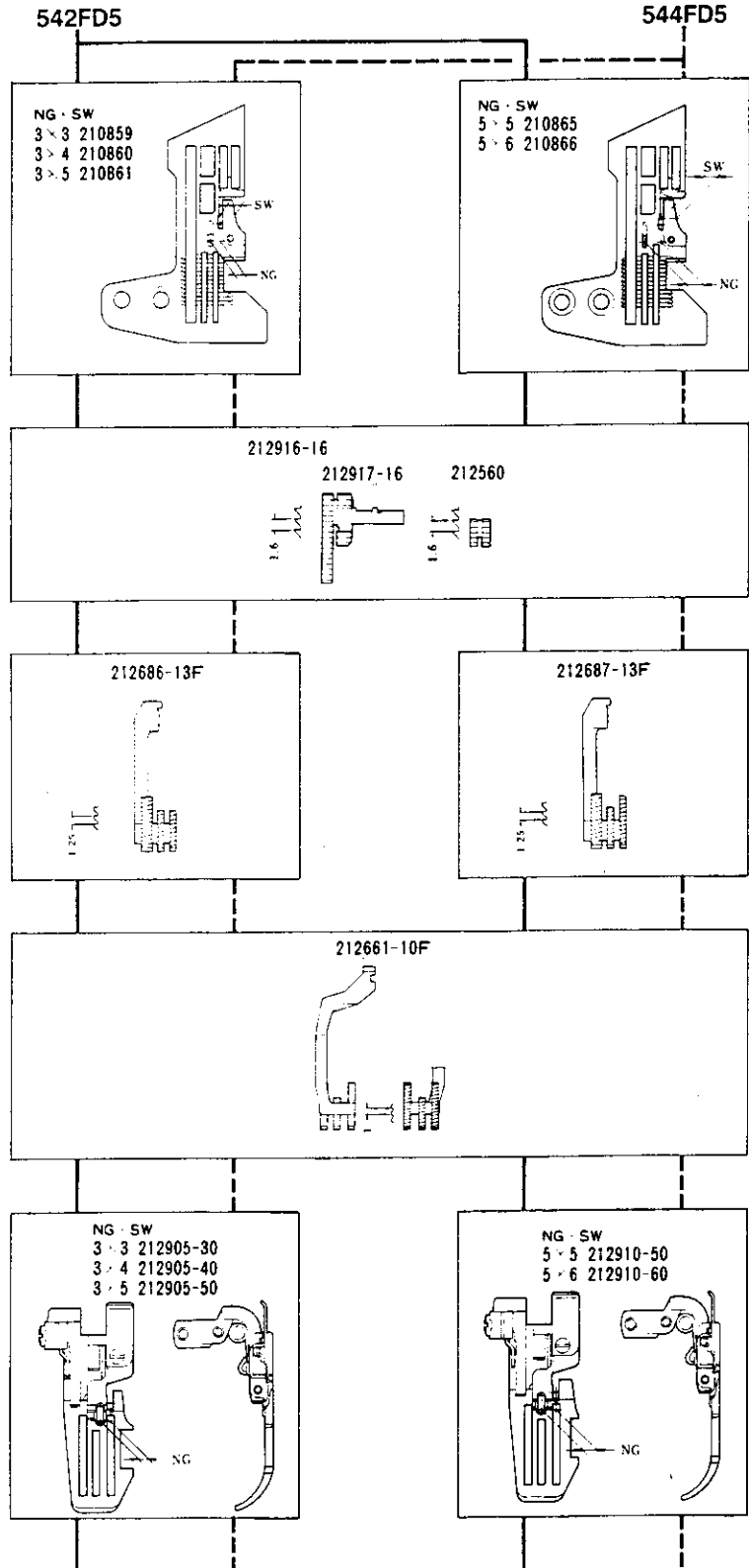


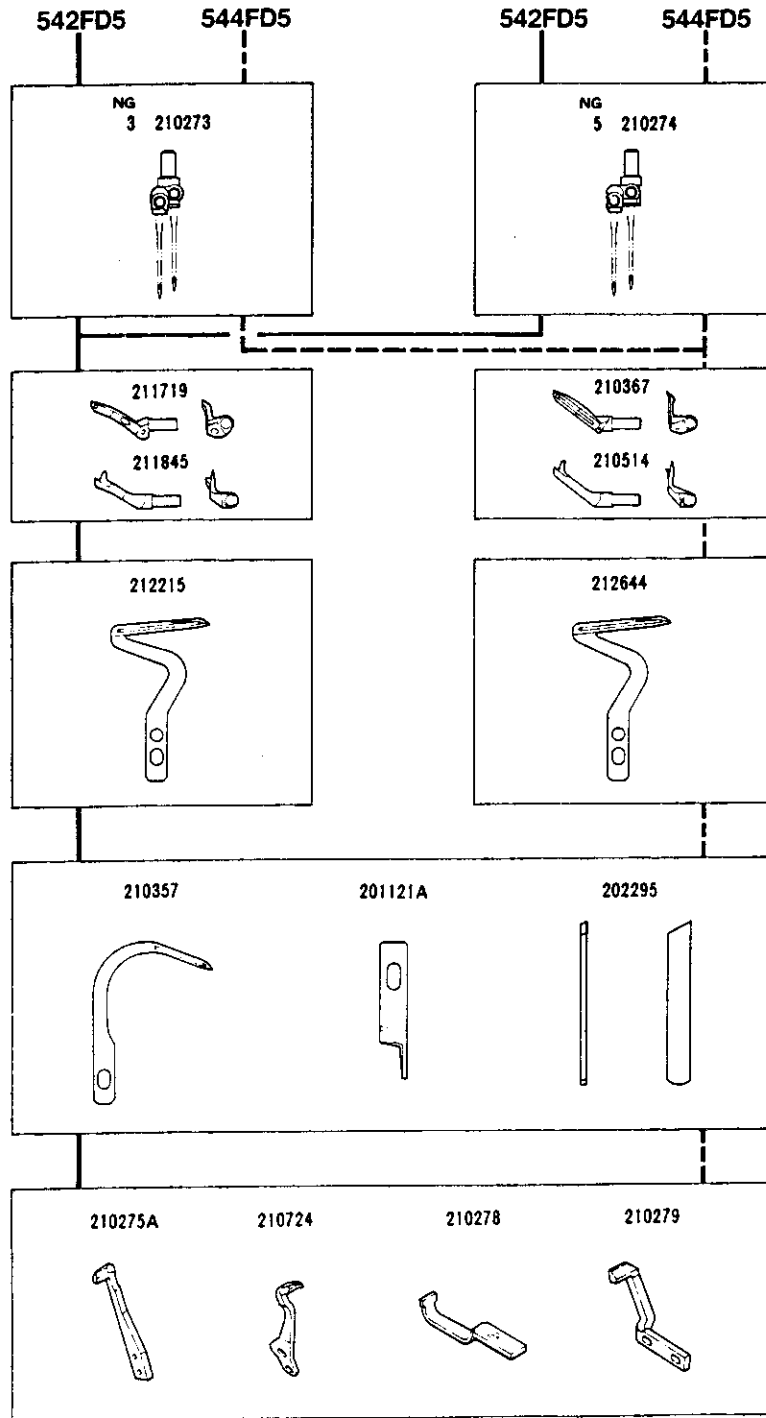


GATHERING • PIPING





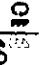
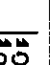



								MEMO	
9732-542FD4/P1(P2) /16-453 15	3	3, 4, 5	3, 8	0.7~2	0.7~2	EX	5, 500		Sportswear pajamas

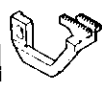
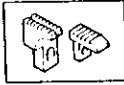
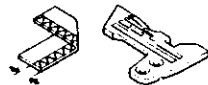
9732-542FD5/16-453
 9732-544FD5/16-353





GATHERING

	 mm	 mm	 mm	 10	 10		 s.p.m.	MEMO	
9732-542FD5 /16-453	3	3,4,5	3.8	0.7~2	0.7~2	EX	5,500		Pajamas
	5	5,6							
9732-544FD5 /16-353	3	3,4,5				HI			Blouses, children's wear
	5	5,6							



MACHINE TYPE /SPEC.	GAUGE		NEEDLE PLATE	MAIN FEED DOG COMP.	DIFF. FEED DOG	TOP FEED DOG	PRESSER BODY	UPPER LOOPER	UPPER SPREADER	LOWER LOOPER	401 LOOPER
	NG	SW									
9732-420FA2 /16-413 /15-413	3	3	212545-30	212753-16	212755-13F	212661-10F	212662-30	211719	211845	212215	210357
	3	4	" -40	"	"	"	" -40	" #38	" #29	"	"
	3	5	" -50	"	"	"	" -50	"	"	"	"
	3	6	" -60	"	"	"	" -60	"	"	"	"
9732-422FA2 /16-313 /15-313	3	3	212545-30	212753-16	212755-13F	212661-10F	212662-30	210366	210515	212644	210357
	3	4	" -40	"	"	"	" -40	" #26	" #27	"	"
	3	5	" -50	"	"	"	" -50	"	"	"	"
	3	6	" -60	"	"	"	" -60	"	"	"	"
9732-430FA2 /16-433 /15-433	3	3	212548-30	212684-16	212756-13F	212661-10F	212662-30	211719	211845	212215	210357
	3	4	" -40	"	"	"	" -40	" #38	" #29	"	"
	3	5	" -50	"	"	"	" -50	"	"	"	"
	5	5	212551-50	"	"	"	212665-50	"	"	"	"
	5	6	" -60	"	"	"	" -60	"	"	"	"
9732-432FA2 /16-453 /15-453	3	3	212682-30	212684-16	212686-13F	212661-10F	212662-30	211719	211845	212215	210357
	3	4	" -40	"	"	"	" -40	" #38	" #29	"	"
	3	5	" -50	"	"	"	" -50	"	"	"	"
	5	5	212683-50	"	212687-13F	"	212665-50	"	"	"	"
	5	6	" -60	"	"	"	" -60	"	"	"	"



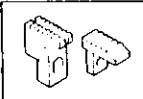
MACHINE TYPE /SPEC.	GAUGE		NEEDLE HOLDER	UPPER KNIFE	LOWER KNIFE	OVR. NDL	GUARD	401 NDL	GUARD	NEEDLE
	NG	SW				(FRONT)	(REAR)	(FRONT)	(REAR)	
9732-420FA2 /16-413 /15-413	3	3	210273	201121A	202295	210275A	210724	210278	210279	DCX27 #11
	3	4	"	"	"	"	"	"	"	"
	3	5	"	"	"	"	"	"	"	"
	3	6	"	"	"	"	"	"	"	"
9732-422FA2 /16-313 /15-313	3	3	210273	201121A	202295	210275A	210724	210278	210279	DCX27 #11
	3	4	"	"	"	"	"	"	"	"
	3	5	"	"	"	"	"	"	"	"
	3	6	"	"	"	"	"	"	"	"
9732-430FA2 /16-433 /15-433	3	3	210273	201121A	202295	210275A	210724	210278	210279	DCX27 #14
	3	4	"	"	"	"	"	"	"	"
	3	5	"	"	"	"	"	"	"	"
	5	5	210274	"	"	"	"	"	"	"
	5	6	"	"	"	"	"	"	"	"
9732-432FA2 /16-453 /15-453	3	3	210273	201121A	202295	210275A	210724	210278	210279	DCX27 #11
	3	4	"	"	"	"	"	"	"	"
	3	5	"	"	"	"	"	"	"	"
	5	5	210274	"	"	"	"	"	"	"
	5	6	"	"	"	"	"	"	"	"



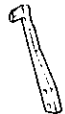
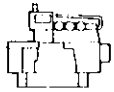
MACHINE TYPE /SPEC.	GAUGE		NEEDLE PLATE	MAIN FEED DOG COMP.	DIFF. FEED DOG	TOP FEED DOG	PRESSER BODY	UPPER LOOPER	UPPER SPREADER	LOWER LOOPER	401 LOOPER
	NG	SW									
9732-432FC2/P1(P2) /16-453 /15-453	3	4	212682-40	212684-16	212686-13F	212745-10F	212741-40	211719	211845	212215	210357
	3	5	" -50	"	"	"	" #38	" #29	"	"	"
	5	5	212683-50	"	212687-13F	212745A10F	212743-50	"	"	"	"
	5	6	" -60	"	"	"	"	"	"	"	"
9732-433FA2 /16-353 /15-353	3	3	212682-30	212684-16	212686-13F	212661-10F	212662-30	210367	210514	212644	210357
	3	4	" -40	"	"	"	" -40	" #28	" #25	"	"
	3	5	" -50	"	"	"	" -50	"	"	"	"
	5	5	212683-50	"	212687-13F	"	212665-50	"	"	"	"
9732-433FC2/P1(P2) /16-353 /15-353	3	4	212682-40	212684-16	212686-13F	212745-10F	212741-40	210367	210514	212644	210357
	3	5	" -50	"	"	"	" #28	" #25	"	"	"
	5	5	212683-50	"	212687-13F	212745A10F	212743-50	"	"	"	"
	5	6	" -60	"	"	"	"	"	"	"	"
9732-434FA2 /16-333 /15-333	3	3	212548-30	212684-16	212756-13F	212661-10F	212662-30	210367	210514	212644	210357
	3	4	" -40	"	"	"	" -40	" #28	" #25	"	"
	3	5	" -50	"	"	"	" -50	"	"	"	"
	5	5	212551-50	"	"	"	212665-50	"	"	"	"
5	6	" -60	"	"	"	" -60	"	"	"	"	



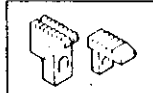
MACHINE TYPE /SPEC.	GAUGE		NEEDLE HOLDER	UPPER KNIFE	LOWER KNIFE	OVR. NDL (FRONT)	GUARD (REAR)	401 NDL (FRONT)	GUARD (REAR)	NEEDLE
	NG	SW								
9732-432FC2/P1(P2) /16-453 /15-453	3	4	210273	201121A	202295	210275A	210724	210278	210279	DCX27
	3	5	"	"	"	"	"	"	"	#14
	5	5	210274	"	"	"	"	"	"	"
	5	6	"	"	"	"	"	"	"	"
9732-433FA2 /16-353 /15-353	3	3	210273	201121A	202295	210275A	210724	210278	210279	DCX27
	3	4	"	"	"	"	"	"	"	#14
	3	5	"	"	"	"	"	"	"	"
	5	5	210274	"	"	"	"	"	"	"
5	6	"	"	"	"	"	"	"	"	
9732-433FC2/P1(P2) /16-353 /15-353	3	4	210273	201121A	202295	210275A	210724	210278	210279	DCX27
	3	5	"	"	"	"	"	"	"	#14
	5	5	210274	"	"	"	"	"	"	"
	5	6	"	"	"	"	"	"	"	"
9732-434FA2 /16-333 /15-333	3	3	210273	201121A	202295	210275A	210724	210278	210279	DCX27
	3	4	"	"	"	"	"	"	"	#14
	3	5	"	"	"	"	"	"	"	"
	5	5	210274	"	"	"	"	"	"	"
5	6	"	"	"	"	"	"	"	"	



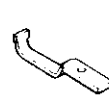
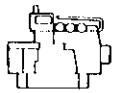
MACHINE TYPE /SPEC.	GAUGE		NEEDLE PLATE	MAIN FEED DOG COMP.	DIFF. FEED DOG	TOP FEED DOG	PRESSER BODY	UPPER LOOPER	UPPER SPREADER	LOWER LOOPER	401 LOOPER
	NG	SW									
9732-420FA3 /16-413 /15-413	3	3	210837	210579A16	212755-13F	212773-10F	212769-30	211719	211845	212215	210357
	3	4	210838	"	"	"	" -40	" #38	" #29	"	"
	3	5	210839	"	"	"	" -50	"	"	"	"
	3	6	210840	"	"	"	" -60	"	"	"	"
9732-422FA3 /16-313 /15-313	3	3	210837	210579A16	212755-13F	212773-10F	212769-30	210366	210515	212644	210357
	3	4	210838	"	"	"	" -40	" #26	" #27	"	"
	3	5	210839	"	"	"	" -50	"	"	"	"
	3	6	210840	"	"	"	" -60	"	"	"	"
9732-430FA3 /16-433 /15-433	3	3	210845	210581A16	212756-13F	212773-10F	212769-30	211719	211845	212215	210357
	3	4	210846	"	"	"	" -40	" #38	" #29	"	"
	3	5	210847	"	"	"	" -50	"	"	"	"
	3	6	210848	"	"	"	" -60	"	"	"	"



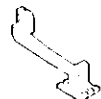
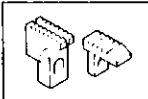
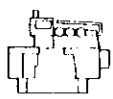
MACHINE TYPE /SPEC.	GAUGE		NEEDLE HOLDER	UPPER KNIFE	LOWER KNIFE	OVR. NDL (FRONT)	GUARD (REAR)	401 NDL (FRONT)	GUARD (REAR)	NEEDLE
	NG	SW								
9732-420FA3 /16-413 /15-413	3	3	210273	201121A	202295	210275A	210724	210278	210279	DCX27 #11
	3	4	"	"	"	"	"	"	"	"
	3	5	"	"	"	"	"	"	"	"
	3	6	"	"	"	"	"	"	"	"
9732-422FA3 /16-313 /15-313	3	3	210273	201121A	202295	210275A	210724	210278	210279	DCX27 #11
	3	4	"	"	"	"	"	"	"	"
	3	5	"	"	"	"	"	"	"	"
	3	6	"	"	"	"	"	"	"	"
9732-430FA3 /16-433 /15-433	3	3	210273	201121A	202295	210275A	210724	210278	210279	DCX27 #14
	3	4	"	"	"	"	"	"	"	"
	3	5	"	"	"	"	"	"	"	"
	3	6	"	"	"	"	"	"	"	"



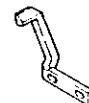
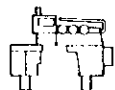
MACHINE TYPE /SPEC.	GAUGE		NEEDLE PLATE	MAIN FEED DOG COMP.	DIFF. FEED DOG	TOP FEED DOG	PRESSER BODY	UPPER LOOPER	UPPER SPREADER	LOWER LOOPER	401 LOOPER
	NG	SW									
9732-432FA3 /16-453 /15-453	3 3 3	3 4 5	210859 210860 210861	210581A16 " "	212686-13F " "	212773-10F " "	212769-30 " -40 " -50	211719 " #38 "	211845 " #29 "	212215 " "	210357 " "
9732-433FA3 /16-353 /15-353	3 3 3	3 4 5	210859 210860 210861	210581A16 " "	212686-13F " "	212773-10F " "	212769-30 " -40 " -50	210367 " #28 "	210514 " #25 "	212644 " "	210357 " "
9732-434FA3 /16-333 /15-333	3 3 3	3 4 5	210845 210846 210847	210581A16 " "	212756-13F " "	212773-10F " "	212769-30 " -40 " -50	210367 " #28 "	210514 " #25 "	212644 " "	210357 " "
9732-452FA4 /16-455 /15-455	5 5 5	5 6 7	213526-50 " -60 " -70	210582 " "	212994-25 " "	212924-20 " "	213551 " "	211719 " #38 "	211845 " #29 "	212644 " "	210357 " "



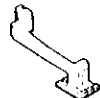
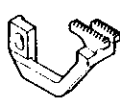
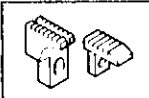
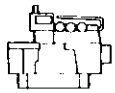
MACHINE TYPE /SPEC.	GAUGE		NEEDLE HOLDER	UPPER KNIFE	LOWER KNIFE	OVR. NDL (FRONT)	GUARD (REAR)	401 NDL (FRONT)	GUARD (REAR)	NEEDLE
	NG	SW								
9732-432FA3 /16-453 /15-453	3 3 3	3 4 5	210273 " "	201121A " "	202295 " "	210275A " "	210724 " "	210278 " "	210279 " "	DCX27 #14
9732-433FA3 /16-353 /15-353	3 3 3	3 4 5	210273 " "	201121A " "	202295 " "	210275A " "	210724 " "	210278 " "	210279 " "	DCX27 #14
9732-434FA3 /16-333 /15-333	3 3 3	3 4 5	210273 " "	201121A " "	202295 " "	210275A " "	210724 " "	210278 " "	210279 " "	DCX27 #14
9732-452FA4 /16-455 /15-455	5 5 5	5 6 7	210274 " "	201121A " "	202295 " "	210275A " "	210724 " "	210278 " "	210279 " "	DCX1 #19



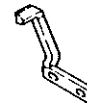
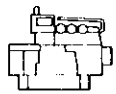
MACHINE TYPE /SPEC.	GAUGE		NEEDLE PLATE	MAIN FEED DOG COMP.	DIFF. FEED DOG	TOP FEED DOG	PRESSER BODY	UPPER LOOPER	UPPER SPREADER	LOWER LOOPER	401 LOOPER
	NG	SW									
9732-542FD3 /16-453/KL100 /15-453/KL100	3 3 3	3 4 5	210859 210860 210861	210581A16 " "	212686-13F " "	212773-10F " "	212769-30 " -40 " -50	211719 " #38 "	211845 " #29 "	212215 " "	210357 " "
9732-542FD4/P1(P2) /16-413/KL100 /15-413/KL100	3 3 3	3 4 5	210837 210838 210839	210579A16 " "	212755-13F " "	212773-10F " "	212769-30 " -40 " -50	211719 " #38 "	211845 " #29 "	212215 " "	210357 " "
9732-542FD4/P1(P2) /16-453/KL100 /15-453/KL100	5 5	5 6	210865 210866	210581A16 "	212687-13F "	212933-10F "	212931-50 " -60	211719 " #38	211845 " #29	212215 "	210357 "
9732-544FD3 16-353/KL100 15-353/KL100	3 3 3	3 4 6	210859 210860 210861	210581A16 " "	212686-13F " "	212773-10F " "	212769-30 " -40 " -50	210367 " #28 "	210514 " #25 "	212644 " "	210357 " "



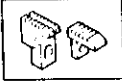
MACHINE TYPE /SPEC.	GAUGE		NEEDLE HOLDER	UPPER KNIFE	LOWER KNIFE	OVR. NDL (FRONT)	GUARD (REAR)	401 NDL (FRONT)	GUARD (REAR)	NEEDLE
	NG	SW								
9732-542FD3 /16-453/KL100 /15-453/KL100	3 3 3	3 4 5	210273 " "	201121A " "	202295 " "	210275A " "	210724 " "	210278 " "	210279 " "	DCX27 #14
9732-542FD4/P1(P2) /16-413/KL100 /15-413/KL100	3 3 3	3 4 5	210273 " "	201121A " "	202295 " "	210275A " "	210724 " "	210278 " "	210279 " "	DCX27 #14
9732-542FD4/P1(P2) /16-453/KL100 /15-453/KL100	5 5	5 6	210274 "	201121A "	202295 "	210275A "	210724 "	210278 "	210279 "	DCX27 #14
9732-544FD3 16-353/KL100 15-353/KL100	3 3 3	3 4 6	210273 " "	201121A " "	202295 " "	210275A " "	210724 " "	210278 " "	210279 " "	DCX27 #14



MACHINE TYPE /SPEC.	GAUGE		NEEDLE PLATE	MAIN FEED DOG COMP.	DIFF. FEED DOG	TOP FEED DOG	PRESSER BODY	UPPER LOOPER	UPPER SPREADER	LOWER LOOPER	401 LOOPER
	NG	SW									
9732-430BA2 /16-433 /15-433	3	3	212548-30	212684-16	210494A16	212064-BF	212053	211719	211845	212215	210357
	3	4	" -40	"	"	"	"	" #38	" #29	"	"
	3	5	" -50	"	"	"	"	"	"	"	"
	5	5	212551-50	"	"	"	212056	"	"	"	"
	5	6	" -60	"	"	"	"	"	"	"	"
9732-432BA2 /16-453 /15-453	3	3	212682-30	212684-16	210497A16	212064-BF	212053	211719	211845	212215	210357
	3	4	" -40	"	"	"	"	" #38	" #29	"	"
	3	5	" -50	"	"	"	"	"	"	"	"
	5	5	212683-50	"	"	"	212056	"	"	"	"
	5	6	" -60	"	"	"	"	"	"	"	"
9732-432BC2/P1(P2) /16-453 /15-453	3	4	212682-40	212684-16	210497A16	212064A13F	212053A	211719	211845	212215	210357
	3	5	" -50	"	"	"	"	" #38	" #29	"	"
	5	5	212683-50	"	210500A16	212064B13F	212056A	"	"	"	"
	5	6	" -60	"	"	"	"	"	"	"	"



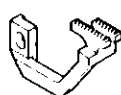
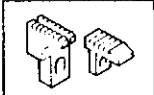
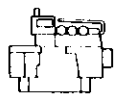
MACHINE TYPE /SPEC.	GAUGE		NEEDLE HOLDER	UPPER KNIFE	LOWER KNIFE	OVR. NDL (FRONT)	GUARD (REAR)	401 NDL (FRONT)	GUARD (REAR)	NEEDLE
	NG	SW								
9732-430BA2 /16-433 /15-433	3	3	210273	201121A	202295	210275A	210724	210278	210279	DCX27 #14
	3	4	"	"	"	"	"	"	"	
	3	5	"	"	"	"	"	"	"	
	5	5	210274	"	"	"	"	"	"	
	5	6	"	"	"	"	"	"	"	
9732-432BA2 /16-453 /15-453	3	3	210273	201121A	202295	210275A	210724	210278	210279	DCX27 #14
	3	4	"	"	"	"	"	"	"	
	3	5	"	"	"	"	"	"	"	
	5	5	210274	"	"	"	"	"	"	
	5	6	"	"	"	"	"	"	"	
9732-432BC2/P1(P2) /16-453 /15-453	3	4	210273	201121A	202295	210275A	210724	210278	210279	DCX27 #14
	3	5	"	"	"	"	"	"	"	
	5	5	210274	"	"	"	"	"	"	
	5	6	"	"	"	"	"	"	"	



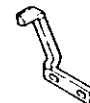
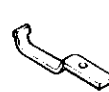
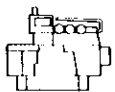
MACHINE TYPE /SPEC.	GAUGE		NEEDLE PLATE	MAIN FEED DOG COMP.	DIFF. FEED DOG	TOP FEED DOG	PRESSER BODY	UPPER LOOPER	UPPER SPREADER	LOWER LOOPER	401 LOOPER
	NG	SW									
9732-452BA2 /16-433 /15-433	3	5	212700-50	212684-16	210494A16	212064-BF	212053	211719	211845	212644	210357
	3	6	" -60	"	"	"	"	" #38	" #29	"	"
	5	5	212701-50	"	"	"	212056	"	"	"	"
	5	6	" -60	"	"	"	"	"	"	"	"
	5	7	" -70	"	"	"	"	"	"	"	"
9732-452BA4 /16-433 /15-433	3	5	212700-50	212684-16	210494A16	212699-13F	211366A	211719	211845	212644	210357
	3	6	" -60	"	"	"	"	" #38	" #29	"	"
	5	5	212701-50	"	"	"	208955A	"	"	"	"
	5	6	" -60	"	"	"	"	"	"	"	"
	5	7	" -70	"	"	"	"	"	"	"	"
9732-453BA2 /16-453 /15-453	5	5	212702-50	212684-16	210500A16	212064-BF	212056	211719	211845	212644	210357
	5	6	" -60	"	"	"	"	" #38	" #29	"	"
	5	7	" -70	"	"	"	"	"	"	"	"
9732-453BA4 /16-453 /15-453	5	5	212702-50	212684-16	210500A16	212699-13F	208955A	211719	211845	212644	210357
	5	6	" -60	"	"	"	"	" #38	" #29	"	"
	5	7	" -70	"	"	"	"	"	"	"	"



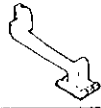
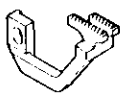
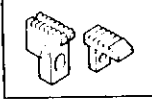
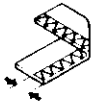
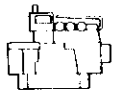
MACHINE TYPE /SPEC.	GAUGE		NEEDLE HOLDER	UPPER KNIFE	LOWER KNIFE	DVR. NDL (FRONT)	GUARD (REAR)	401 NDL (FRONT)	GUARD (REAR)	NEEDLE
	NG	SW								
9732-452BA2 /16-433 /15-433	3	5	210273	201121A	202295	210275A	210724	210278	210279	DCX27
	3	6	"	"	"	"	"	"	"	#19
	5	5	210274	"	"	"	"	"	"	"
	5	6	"	"	"	"	"	"	"	"
	5	7	"	"	"	"	"	"	"	"
9732-452BA4 /16-433 /15-433	3	5	210273	201121A	202295	210275A	210724	210278	210279	DCX27
	3	6	"	"	"	"	"	"	"	#19
	5	5	210274	"	"	"	"	"	"	"
	5	6	"	"	"	"	"	"	"	"
	5	7	"	"	"	"	"	"	"	"
9732-453BA2 /16-453 /15-453	5	5	210274	201121A	202295	210275A	210724	210278	210279	DCX27
	5	6	"	"	"	"	"	"	"	#19
	5	7	"	"	"	"	"	"	"	"
9732-453BA4 /16-453 /15-453	5	5	210274	201121A	202295	210275A	210724	210278	210279	DCX27
	5	6	"	"	"	"	"	"	"	#19
	5	7	"	"	"	"	"	"	"	"



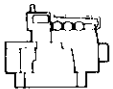
MACHINE TYPE /SPEC.	GAUGE		NEEDLE PLATE	MAIN FEED DOG COMP.	DIFF. FEED DOG	TOP FEED DOG	PRESSER BODY	UPPER LOOPER	UPPER SPREADER	LOWER LOOPER	401 LOOPER
	NG	SW									
9732-420FAS /16-413 /15-413	3	3	210837	212914-16	212755-13F	212661-10F	212905-30	211719	211845	212215	210357
	3	4	210838	"	"	"	" -40	" #38	" #29	"	"
	3	5	210839	"	"	"	" -50	"	"	"	"
	3	6	210840	"	"	"	" -60	"	"	"	"
9732-422FAS /16-313 /15-313	3	3	210837	212914-16	212755-13F	212661-10F	212905-30	210366	210515	212644	210357
	3	4	210838	"	"	"	" -40	" #26	" #27	"	"
	3	5	210839	"	"	"	" -50	"	"	"	"
	3	6	210840	"	"	"	" -60	"	"	"	"
9732-430FAS /16-433 /15-433	3	3	210845	212916-16	212756-13F	212661-10F	212905-30	211719	211845	212215	210357
	3	4	210846	"	"	"	" -40	" #38	" #29	"	"
	3	5	210847	"	"	"	" -50	"	"	"	"
	5	5	210851	"	"	"	212910-50	"	"	"	"
	5	6	210852	"	"	"	" -60	"	"	"	"



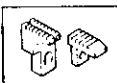
MACHINE TYPE /SPEC.	GAUGE		NEEDLE HOLDER	UPPER KNIFE	LOWER KNIFE	OVR. NDL	GUARD	401 NDL	GUARD	NEEDLE
	NG	SW				(FRONT)	(REAR)	(FRONT)	(REAR)	
9732-420FAS /16-413 /15-413	3	3	210273	201121A	202295	210275A	210724	210278	210279	DCX27 #11
	3	4	"	"	"	"	"	"	"	
	3	5	"	"	"	"	"	"	"	
	3	6	"	"	"	"	"	"	"	
9732-422FAS /16-313 /15-313	3	3	210273	201121A	202295	210275A	210724	210278	210279	DCX27 #11
	3	4	"	"	"	"	"	"	"	
	3	5	"	"	"	"	"	"	"	
	3	6	"	"	"	"	"	"	"	
9732-430FAS /16-433 /15-433	3	3	210273	201121A	202295	210275A	210724	210278	210279	DCX27 #14
	3	4	"	"	"	"	"	"	"	
	3	5	"	"	"	"	"	"	"	
	5	5	210274	"	"	"	"	"	"	
	5	6	"	"	"	"	"	"	"	



MACHINE TYPE /SPEC.	GAUGE		NEEDLE PLATE	MAIN FEED DOG COMP.	DIFF. FEED DOG	TOP FEED DOG	PRESSER BODY	UPPER LOOPER	UPPER SPREADER	LOWER LOOPER	401 LOOPER
	NG	SW									
9732-432FA5 /16-453 /15-453	3	3	210859	212916-16	212686-13F	212661-10F	212905-30	210719	210845	212215	210357
	3	4	210860	"	"	"	" -40	" #38	" #29	"	"
	3	5	210861	"	"	"	" -50	"	"	"	"
	5	5	210865	"	212687-13F	"	212910-50	"	"	"	"
	5	6	210866	"	"	"	" -60	"	"	"	"
9732-433FA5 /16-353 /15-353	3	3	210859	212916-16	212686-13F	212661-10F	212905-30	210367	210514	212644	210357
	3	4	210860	"	"	"	" -40	" #28	" #25	"	"
	3	5	210861	"	"	"	" -50	"	"	"	"
	5	5	210865	"	212687-13F	"	212910-50	"	"	"	"
	5	6	210866	"	"	"	" -60	"	"	"	"
9732-434FA5 /16-333 /15-333	3	3	210845	212916-16	212756-13F	212661-10F	212905-30	210367	210514	212644	210357
	3	4	210846	"	"	"	" -40	" #28	" #25	"	"
	3	5	210847	"	"	"	" -50	"	"	"	"
	5	5	210851	"	"	"	212910-50	"	"	"	"
	5	6	210852	"	"	"	" -60	"	"	"	"



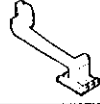
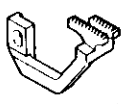
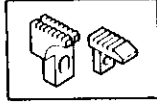
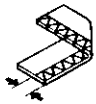
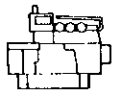
MACHINE TYPE /SPEC.	GAUGE		NEEDLE HOLDER	UPPER KNIFE	LOWER KNIFE	OVR. NDL (FRONT)	GUARD (REAR)	401 NDL (FRONT)	GUARD (REAR)	NEEDLE
	NG	SW								
9732-432FA5 /16-453 /15-453	3	3	210273	201121A	202295	210275A	210724	210278	210279	DCX27 #14
	3	4	"	"	"	"	"	"	"	"
	3	5	"	"	"	"	"	"	"	"
	5	5	210274	"	"	"	"	"	"	"
	5	6	"	"	"	"	"	"	"	"
9732-433FA5 /16-353 /15-353	3	3	210273	201121A	202295	210275A	210724	210278	210279	DCX27 #14
	3	4	"	"	"	"	"	"	"	"
	3	5	"	"	"	"	"	"	"	"
	5	5	210274	"	"	"	"	"	"	"
	5	6	"	"	"	"	"	"	"	"
9732-434FA5 /16-333 /15-333	3	3	210273	201121A	202295	210275A	210724	210278	210279	DCX27 #14
	3	4	"	"	"	"	"	"	"	"
	3	5	"	"	"	"	"	"	"	"
	5	5	210274	"	"	"	"	"	"	"
	5	6	"	"	"	"	"	"	"	"



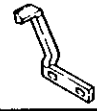
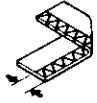
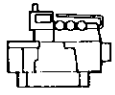
MACHINE TYPE /SPEC.	GAUGE		NEEDLE PLATE	MAIN FEED DOG COMP.	DIFF. FEED DOG	TOP FEED DOG	PRESSER BODY	UPPER LOOPER	UPPER SPREADER	LOWER LOOPER	401 LOOPER
	NG	SW									
9732-542FD2 /16-453/KL100	3	3	212682-30	212684-16	212686-13F	212661-10F	212662-30	211719	211845	212215	210357
	3	4	" -40	"	"	"	" -40	" #38	" #29	"	"
	3	5	" -50	"	"	"	" -50	"	"	"	"
	5	5	212683-50	"	212687-13F	"	212665-50	"	"	"	"
	5	6	" -60	"	"	"	" -60	"	"	"	"
9732-544FD2 /16-353/KL100 /15-353/KL100	3	3	212682-30	212684-16	212686-13F	212661-10F	212662-30	210367	210514	212644	210357
	3	4	" -40	"	"	"	" -40	" #28	" #25	"	"
	3	5	" -50	"	"	"	" -50	"	"	"	"
	5	5	212683-50	"	212687-13F	"	212665-50	"	"	"	"
	5	6	" -60	"	"	"	" -60	"	"	"	"
9732-542FD5 /16-453/KL100	3	3	210859	212916-16	212686-13F	212661-10F	212905-30	211719	211845	212215	210357
	3	4	210860	"	"	"	" -40	" #38	" #29	"	"
	3	5	210861	"	"	"	" -50	"	"	"	"
	5	5	210865	"	212687-13F	"	212910-50	"	"	"	"
	5	6	210866	"	"	"	" -60	"	"	"	"
9732-544FD5 /16-353/KL100 /15-353/KL100	3	3	210859	212916-16	212686-13F	212661-10F	212905-30	210367	210514	212644	210357
	3	4	210860	"	"	"	" -40	" #28	" #25	"	"
	3	5	210861	"	"	"	" -50	"	"	"	"
	5	5	210865	"	212687-13F	"	212910-50	"	"	"	"
	5	6	210866	"	"	"	" -60	"	"	"	"



MACHINE TYPE /SPEC.	GAUGE		NEEDLE HOLDER	UPPER KNIFE	LOWER KNIFE	OVR. NDL (FRONT)	GUARD (REAR)	401 NDL (FRONT)	GUARD (REAR)	NEEDLE
	NG	SW								
9732-542FD2 /16-453/KL100	3	3	210273	201121A	202295	210275A	210724	210278	210279	DCX27 #14
	3	4	"	"	"	"	"	"	"	"
	3	5	"	"	"	"	"	"	"	"
	5	5	210274	"	"	"	"	"	"	"
	5	6	"	"	"	"	"	"	"	"
9732-544FD2 /16-353/KL100 /15-353/KL100	3	3	210273	201121A	202295	210275A	210724	210278	210279	DCX27 #14
	3	4	"	"	"	"	"	"	"	"
	3	5	"	"	"	"	"	"	"	"
	5	5	210274	"	"	"	"	"	"	"
	5	6	"	"	"	"	"	"	"	"
9732-542FD5 /16-453/KL100	3	3	210273	201121A	202295	210275A	210724	210278	210279	DCX27 #14
	3	4	"	"	"	"	"	"	"	"
	3	5	"	"	"	"	"	"	"	"
	5	5	210274	"	"	"	"	"	"	"
	5	6	"	"	"	"	"	"	"	"
9732-544FD5 /16-353/KL100 /15-353/KL100	3	3	210273	201121A	202295	210275A	210724	210278	210279	DCX27 #14
	3	4	"	"	"	"	"	"	"	"
	3	5	"	"	"	"	"	"	"	"
	5	5	210274	"	"	"	"	"	"	"
	5	6	"	"	"	"	"	"	"	"



MACHINE TYPE /SPEC.	GAUGE		NEEDLE PLATE	MAIN FEED DOG COMP.	DIFF. FEED DOG	TOP FEED DOG	PRESSER BODY	UPPER LOOPER	UPPER SPREADER	LOWER LOOPER	401 LOOPER	
	NG	SW										
9732-355FA5 /453	3 3	2 2	3 4	212964-30 "-40	212914-16 "	212968-13F "	212661-10F "	212970-30 "-40	211719 "#38	----- -----	212215 "	210357 "
9732-359FA5 /453	3 3	2 2	3 4	212964-30 "-40	212914-16 "	212968-13F "	212661-10F "	212970-30 "-40	211844 "#42	----- -----	212215 "	210357 "
9732-555FA5 /453	5 5	2 2	3 4	212965-30 "-40	212916-16 "	212969-13F "	212661-10F "	212971-30 "-40	211719 "#38	----- -----	212215 "	210357 "
9732-559FA5 /453	5 5	2 2	3 4	212965-30 "-40	212916-16 "	212969-13F "	212661-10F "	212971-30 "-40	211844 "#42	----- -----	212215 "	210357 "



MACHINE TYPE /SPEC.	GAUGE		NEEDLE HOLDER	UPPER KNIFE	LOWER KNIFE	OVR. NDL		GUARD		401 NDL	GUARD	NEEDLE
	NG	SW				(FRONT)	(REAR)	(FRONT)	(REAR)			
9732-355FA5 /453	3 3	2 2	3 4	211573 "	201121A "	202295 "	211578 "	210724 "	210278 "	210279 "	DCX27 #11	
9732-359FA5 /453	3 3	2 2	3 4	211573 "	201121A "	202295 "	211578 "	210724 "	210278 "	210279 "	DCX27 #11	
9732-555FA5 /453	5 5	2 2	3 4	211577 "	201121A "	202295 "	211578 "	210724 "	210278 "	210279 "	DCX27 #11	
9732-559FA5 /453	5 5	2 2	3 4	211577 "	201121A "	202295 "	211578 "	210724 "	210278 "	210279 "	DCX27 #11	

INDEX

PART NO.	PFAFF-NO	PAGE	NO. REF.	PART NO.	PFAFF-NO	PAGE	NO. REF.	PART NO.	PFAFF-NO	PAGE	NO. REF.
212683-60	09-009 805-31	97		212924-20	09-009 820-59	95					
212683-60	09-009 805-31	101		212931-50	09-009 824-84	96					
212684-16	09-009 804-69	92		212931-60	09-009 824-84	96					
212684-16	09-009 804-69	93		212933-10F	09-009 824-79	96					
212684-16	09-009 804-69	97		212938	09-009 824-05	47	42				
212684-16	09-009 804-69	98		212939	09-009 824-06	47	43				
212684-16	09-009 804-69	101		212964-30	09-009 824-07	102					
212686-13F	09-009 804-71	92		212964-40	09-009 824-07	102					
212686-13F	09-009 804-71	93		212965-30	09-009 824-08	102					
212686-13F	09-009 804-71	95		212965-40	09-009 824-08	102					
212686-13F	09-009 804-71	96		212968-13F	09-009 824-09	102					
212686-13F	09-009 804-71	100		212969-13F	09-009 824-10	102					
212686-13F	09-009 804-71	101		212970-30	09-009 824-11	102					
212687-13F	09-009 804-72	92		212970-40	09-009 824-11	102					
212687-13F	09-009 804-72	93		212971-30	09-009 824-12	102					
212687-13F	09-009 804-72	96		212971-40	09-009 824-12	102					
212687-13F	09-009 804-72	100		212972A91	09-009 820-02	41	1				
212687-13F	09-009 804-72	101		*212976	09-009 820-03	41	2				
212699-13F	09-009 808-51	98		212978-91	09-009 820-04	41	5				
212700-50	09-009 808-52	98		*212979	09-009 820-05	41	6				
212700-60	09-009 808-53	98		*212980	09-009 820-06	41	7				
212701-50	09-009 808-54	98		212981	09-009 820-07	41	9				
212701-60	09-009 808-55	98		212983-91	09-009 820-08	41	10				
212701-70	09-009 808-56	98		212987	09-009 820-09	13	11				
212702-50	09-009 808-57	98		212994-25	09-009 823-72	95					
212702-60	09-009 808-58	98		212995	09-009 823-73	17	27				
212702-70	09-009 808-59	98		212998	09-009 823-74	41	31				
212705	09-009 808-60	39	49	213222A	09-009 823-75	37	1				
212719	09-009 806-44	39	37	213526-50	09-009 823-76	95					
212721	09-009 804-75	17	18	213526-60	09-009 823-76	95					
212722A	09-009 808-62	17	21	213526-70	09-009 823-76	95					
212723A	09-009 808-64	17	16	213551	09-009 824-78	95					
212724	09-009 804-76	17	20	213578A	09-009 823-78	41	11				
212725	09-009 804-77	17	15	213579	09-009 823-79	41	12				
212726	09-009 804-78	23	35	*230047	09-400 154-00	5	25				
212727	09-009 806-47	23	17	240052	91-179 447-05	5	5				
212728	09-009 806-89	19	30	240102	09-400 167-00	13	6				
212741-40	09-009 808-78	93		240102	09-400 167-00	23	23				
212743-50	09-009 808-79	93		240102	09-400 167-00	27	13				
212745-10F	09-009 808-80	93		240148	09-009 813-80	15	18				
212745A10F	09-009 808-81	93		240172	09-009 814-64	39	10				
212753-16	09-009 804-79	92		240178	09-009 823-80	45	6				
212755-13F	09-009 804-80	92		252005	09-400 245-00	3	29				
212755-13F	09-009 804-80	94		252531	09-400 264-00	35	20				
212755-13F	09-009 804-80	96		303067	12-501 170-45	53	24				
212755-13F	09-009 804-80	99		303487	09-009 734-75	41	34				
212756-13F	09-009 806-78	92		303487	09-009 734-75	43	47				
212756-13F	09-009 806-78	93		307003	09-009 734-76	33	29				
212756-13F	09-009 806-78	94		307003	09-009 734-76	35	17				
212756-13F	09-009 806-78	95		307003	09-009 734-76	35	23				
212756-13F	09-009 806-78	99		307003	09-009 734-76	35	28				
212756-13F	09-009 806-78	100		307003	09-009 734-76	37	15				
212769-30	09-009 808-96	94		307003	09-009 734-76	39	15				
212769-30	09-009 808-96	95		9A3001	09-009 807-24	5	2				
212769-30	09-009 808-96	96		9A3002	09-009 814-81	41	51				
212769-40	09-009 808-97	94									
212769-40	09-009 808-97	95									
212769-40	09-009 808-97	96									
212769-50	09-009 808-98	94									
212769-50	09-009 808-98	95									
212769-50	09-009 808-98	96									
212769-60	09-009 824-83	94									
212773-10F	09-009 806-82	94									
212773-10F	09-009 806-82	95									
212773-10F	09-009 806-82	96									
212785	09-009 804-83	15	33								
212784-91	09-009 804-84	15	34								
212905-30	09-009 811-73	99									
212905-30	09-009 811-73	100									
212905-30	09-009 811-73	101									
212905-40	09-009 811-74	99									
212905-40	09-009 811-74	100									
212905-40	09-009 811-74	101									
212905-50	09-009 811-75	99									
212905-50	09-009 811-75	100									
212905-50	09-009 811-75	101									
212905-60	09-009 811-76	99									
212910-50	09-009 811-77	99									
212910-50	09-009 811-77	100									
212910-50	09-009 811-77	101									
212910-60	09-009 811-78	99									
212910-60	09-009 811-78	100									
212910-60	09-009 811-78	101									
212914-16	09-009 811-71	99									
212914-16	09-009 811-71	102									
212916-16	09-009 811-72	99									
212916-16	09-009 811-72	100									
212916-16	09-009 811-72	101									
212916-16	09-009 811-72	102									
212923	09-009 820-58	39	59								

Notice) Parts with mark * are not for sale.